

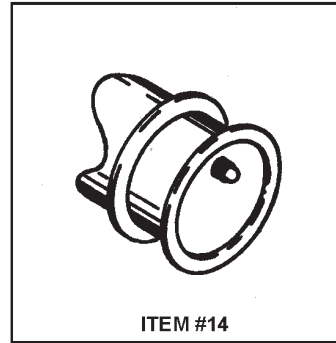
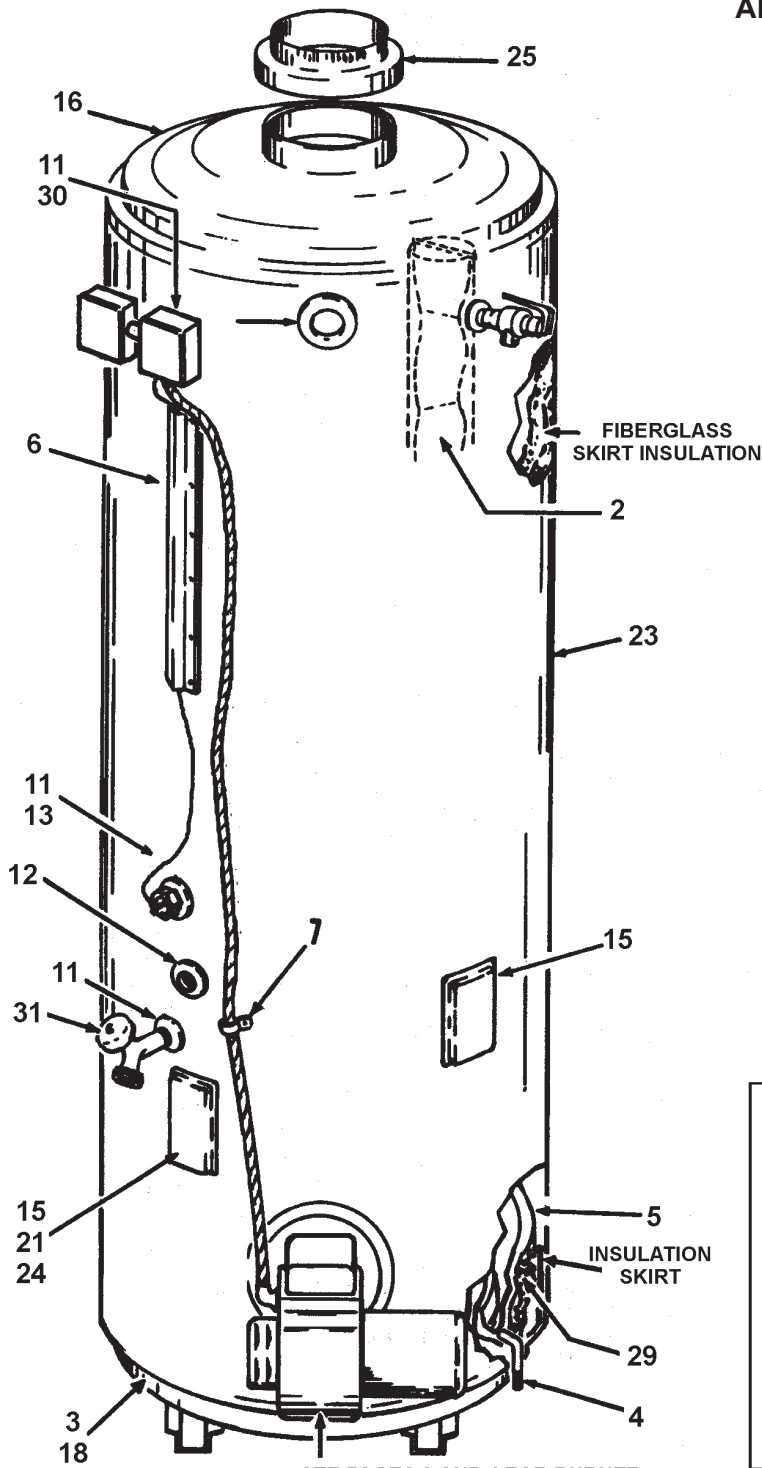
A.O. SMITH

**WATER PRODUCTS
COMPANY**

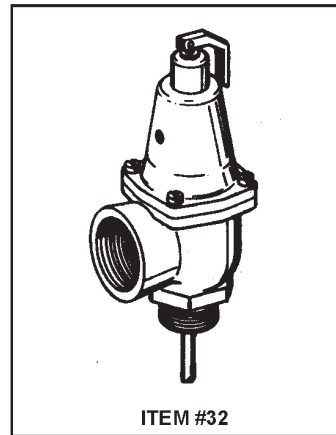
PSD-3-422/B

OIL

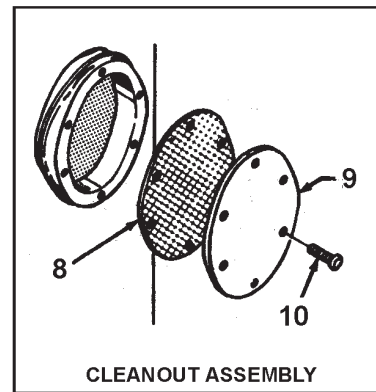
**COMMERCIAL WATER HEATER PARTS LIST
MODEL COF-199, 245, 315, 385, 455 & 700
AND COF-315A, 385A, 455A & 700A
SERIES 930/931**



ITEM #14



ITEM #32



CLEANOUT ASSEMBLY

A.O. SMITH WATER PRODUCTS CO., INC.
5621 W. 115TH STREET • ALSIP, ILLINOIS 60803
PHONE: 1-800-433-2545 • FAX: 1-800-433-2515
www.hotwater.com • email: parts@hotwater.com

Item	Description	COF-199	COF-315	COF-385	COF-455	COF-700
		COF-245	COF-315A	COF-385A	COF-455A	COF-700A
*1	Anode	43817-38(2)	43817-38(2)	43817-38(3)	43817-38(3)	43817-38(4)
2	Baffle, Flue	39616-13(6)	39616-13(7)	39616-13(12)	39616-13(12)	39616-13(16)
3	Base, Jacket w/skids	76242-500	76242-500	76242-500	76242-500	76242-500
4	Bolt, Base	41431	41431	41431	41431	41431
5	Chamber, Combustion	76508-1	76508-1	76508-1	76508-1	76508
6	Channel, Wire	95312-3	95312-3	95312-3	95312-3	95312-3
7	Clamp	94694	94694	94694	94694	94694
CLEANOUT ASSEMBLY						
8	Gasket	99038(1)	99038(1)	99038(2)	99038(2)	99038(2)
9	Pressure Plate	99037(1)	99037(1)	99037(2)	99037(2)	99037(2)
10	Screw-Self Tapping	69852-1(6)	69852-1(6)	69852-1(12)	69852-1(12)	69852-1(12)
11	Collar, Pipe 1-1/32" I.D.	20172-6	20172-6	20172-6	20172-6	20172-6
12	Collar, Pipe 1-7/8" I.D.	95030-2	95030-2	95030-2	95030-2	95030-2
13	Connector, 1/2" tubing to 3/4" Pipe Thread	42346-3	42346-3	42346-3	42346-3	42346-3
14	Barometric Draft Control:					
	Model COF-199 Only	69803	- - -	- - -	- - -	- - -
	All Other Models	69803-1	69803-1	69803-1	69803-1	69803-1
15	Cover, Cleanout Opening & Observation	38445(2)	38445(2)	38445(2)	38445(2)	38445(2)
16	Cover, Jacket	97062-500	97062-500	97062-500	97062-500	97062-500
	*INSULATION, FIBERGLASS SKIRT					
	Top	181268-14	181268-14	181268-14	181268-14	181268-14
	Bottom	181268-19	181268-19	181268-19	181268-19	181268-19
	*Insulation Skirt	- - -	- - -	- - -	191017-2	191017-1
17	*LABELS					
	Cleanout	78754(1)	78754(2)	78754(2)	78754(2)	78754(2)
	Combination	192485	192485	192485	192485	192485
	Copper Conductor	192495	192495	192495	192495	192495
	Hot	192484	192484	192484	192484	192484
	Relief Valve	191068	191068	191068	191068	191068
	UL	192486	192486	192486	192486	192486
18	Gasket, Skirt Ring	76443	76443	76443	76443	76443
21	Insulation, Foil-Faced	41175-1	41175-1	41175-1	41175-1	41175-1
22	*Jacket, Lower Half	76697-703	76697-703	76697-703	76697-703	76697-703
23	*Jacket, Upper Half	78749-700	78749-703	78749-704	78749-704	78749-702
24	Plug, Observation	41377-1	41377-1	41377-1	41377-1	41377-1
25	Reducer, Flue:					
	Model COF-199 Only	99767-502	- - -	- - -	- - -	- - -
	All Other Models	76707-500	76707-500	76707-500	76707-500	76707-500
29	Skirt Ring	76228-1	76228-1	76228-1	76228-1	76228-1
30	Thermostat-With E.C.O.	76746-2	76746-2	76746-2	76746-2	76746-2
31	Valve, Drain	26273-6	26273-2	26273-2	26273-2	26273-2
32	Valve, Relief	99465-4	99465-4	99465-4	99465-4	99465-3
33	+WIRE:					
	16 AWG Stranded, 105°C, AWM & TEW:					
	Black	86578	86578	86578	86578	86578
	Red	86579	86579	86579	86579	86579
	White	86580	86580	86580	86580	86580
	Yellow	98199	98199	98199	98199	98199

* Not Illustrated

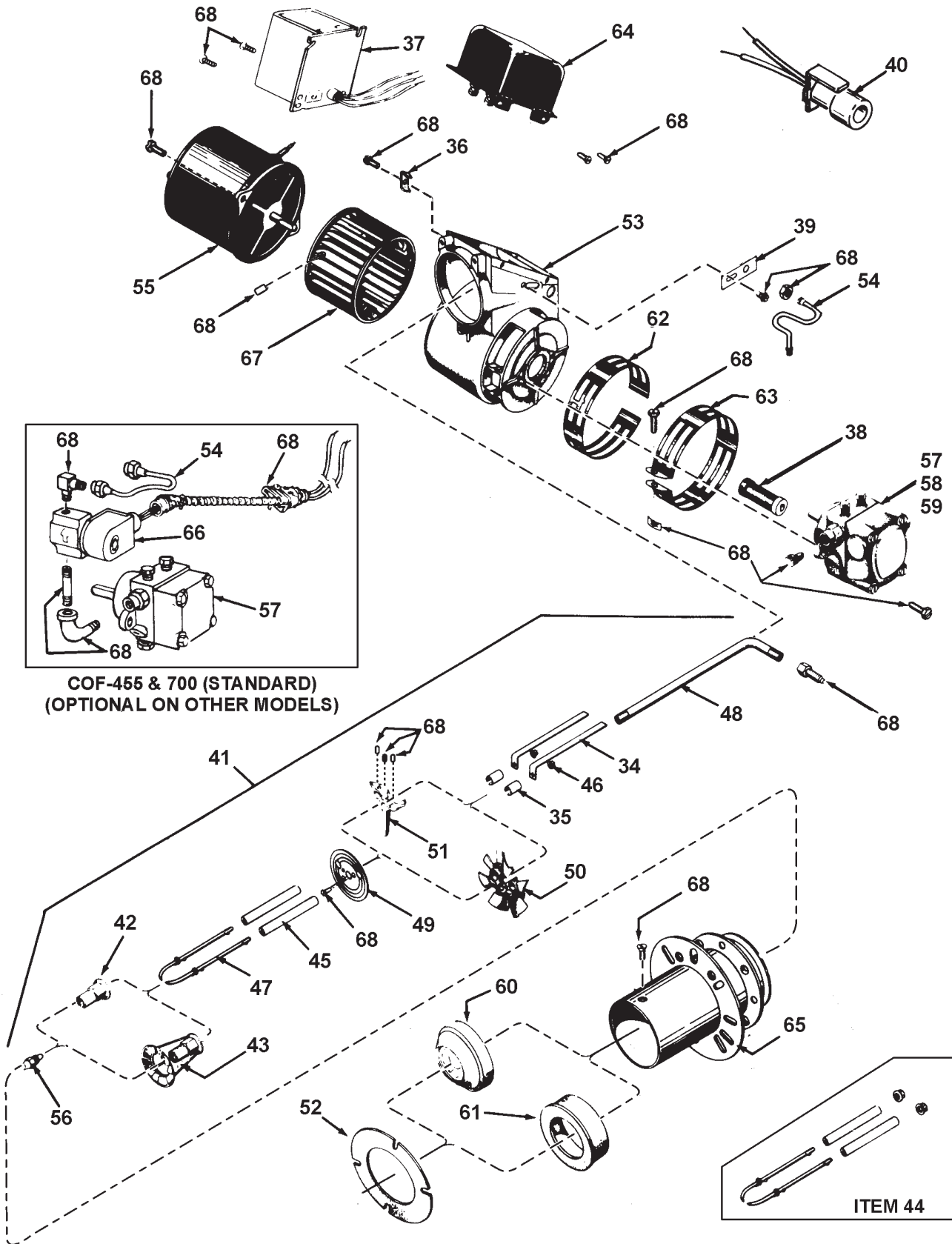
Quantities shown in parenthesis next to part number.

+When ordering wire, indicate length required in inches. (Example: 86578-100 equals 100" Length.)

Part numbers underlined are recommended stock items for emergency replacement.

Request parts from Product Service Division giving all information such as model and series number.

OIL BURNER



Item	Description	COF-199	COF-315	COF-385	COF-455	COF-700
		COF-245	COF-315A	COF-385A	COF-455A	COF-700A
34	Bar, Buss	6087	6087	6087	6087	6087
35	Bushing, Insulation	24213	24213	24213	24213	24213
36	Clips, Transformer (2 Req'd)	6072	6072	6072	6072	6072
37	Control, Safety Primary-15 Sec.	6215	6215	6215	6215	6215
38	Coupling	6080	6080	6080	6080	6080
39	Cover, Fiber	6079	6079	6079	6079	6079
40	Detector, Flame	5008	5008	5008	5008	5008
41	Drawer, Assembly	6099	6099	6099	6100	6100
42	Adapter, Nozzle	24212	24212	24212	- - -	- - -
43	Adapter, Nozzle	- - -	- - -	- - -	6092	6092
44	Electrode Assembly	<u>24221</u>	<u>24221</u>	<u>24221</u>	<u>24221</u>	<u>24221</u>
45	Insulator, Electrode	24210	24210	24210	24210	24210
46	Nut, Pal	24214	24214	24214	24214	24214
47	Stem, Electrode	24211	24211	24211	24211	24211
48	Pipe, Fuel	6086	6086	6086	6086	6086
49	Plate, Baffle	6089	6089	6089	6090	**6090
50	Tripod, Electrode Support	24208	24208	24208	- - -	- - -
51	Tripod, Electrode Support	- - -	- - -	- - -	6088	6088
52	Gasket, Flange	6098	6098	6098	6098	6098
53	Housing	6076	6076	6076	6076	6076
54	Line, Fuel - With Fittings	6081	6081	6081	6082	6082
55	Motor	6068	6068	6068	6069	6069
56	Nozzle:					
	1.35 GPH-80°A COF-199	6580	- - -	- - -	- - -	- - -
	1.75 GPH-80°A COF-245	6581	- - -	- - -	- - -	- - -
	2.25 GPH-80°A COF-315	- - -	6182	- - -	- - -	- - -
	2.75 GPH-80°A COF-385	- - -	- - -	6083	- - -	- - -
	3.25 GPH-80°A COF-455	- - -	- - -	- - -	6084	- - -
	5.0 GPH-80°A COF-700	- - -	- - -	- - -	- - -	6085
57	Pump, Fuel:					
	Single Stage	6018	6018	6018	6018	6018
58	Body Gasket-For All Pumps	6017	6017	6017	6017	6017
59	Strainer-For All Pumps	6036	6036	6036	6036	6036
60	Ring Assembly, Fire	6096	6096	6096	6096	6096
61	Ring Assembly, Fire	- - -	- - -	- - -	6097	6097
62	Shutter, Air-Inner	6077	6077	6077	6077	6077
63	Shutter, Air-Outer	6078	6078	6078	6078	6078
64	Transformer, Ignition	6075	6075	6075	6075	6075
65	Tube, Draft	6093	6093	6093	6094	6094
66	Valve, Fuel Oil Safety	- - -	- - -	- - -	76742	76742
67	Wheel, Blower	6070	6070	6070	6071	6071
68	Standard Hardware Items Purchase Locally					

** Snap off outer ring for use on COF-700 and COF-700A Models.
Part numbers underlined are recommended stock items for emergency replacement.