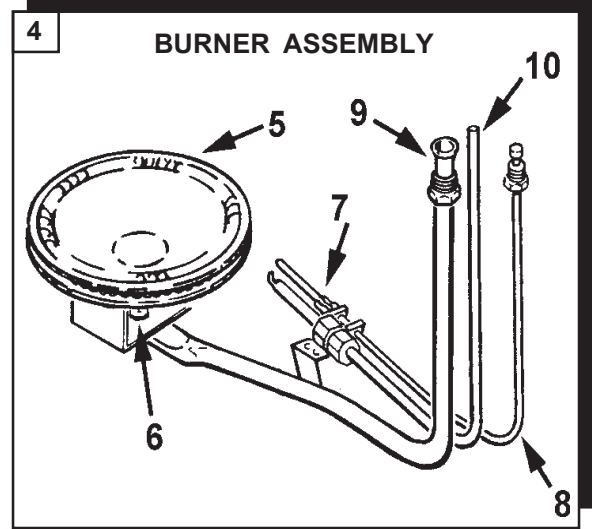
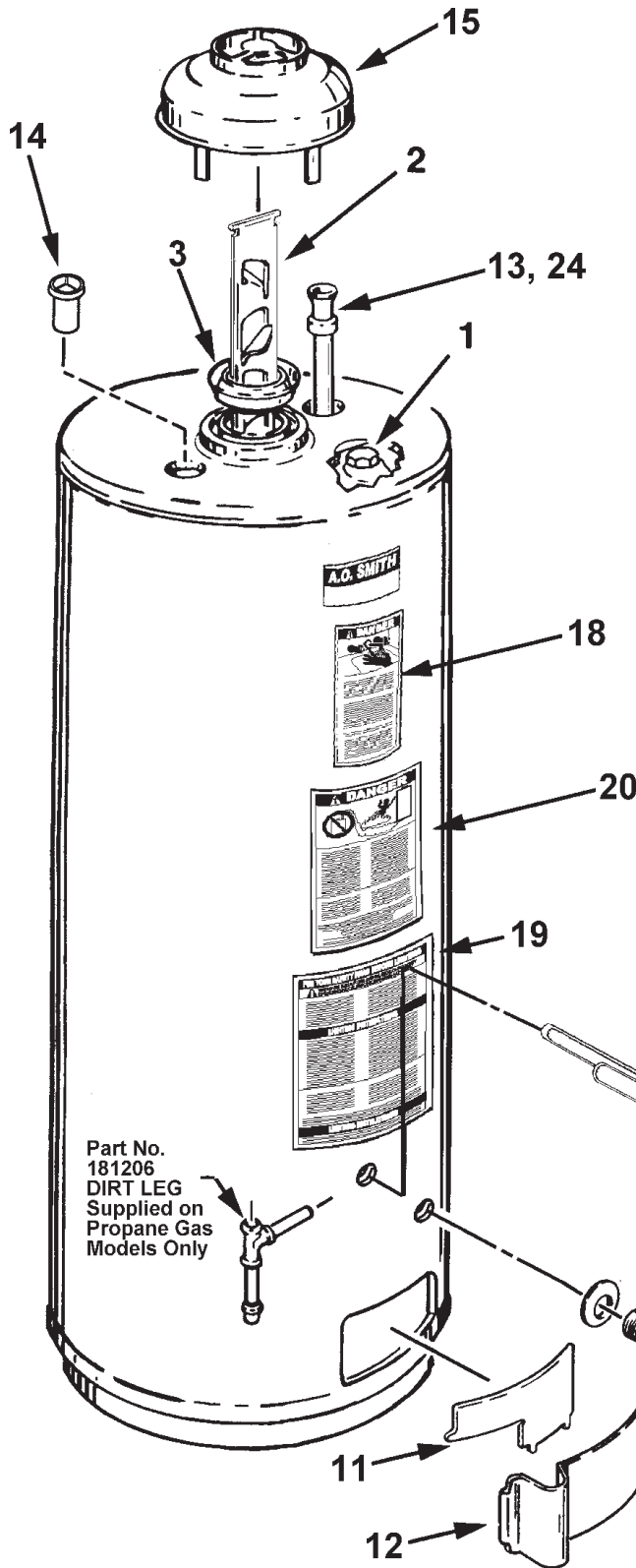


A.O. SMITH WATER PRODUCTS COMPANY

PSD-1-281

GAS

RESIDENTIAL WATER HEATER PARTS LIST
MODELS FSGT 40 & 50,
PGXT 30 & 40
SERIES 224/225



3/4" T&P RELIEF VALVE
AUTOMATIC, SELF-CLOSING TYPES

PART NUMBER	PRESS	A =	TEMP RELIEF
43151-2	150 LBS.	3"	210°

26

A.O. SMITH WATER PRODUCTS CO., INC.
5621 W. 115TH STREET • ALSIP, ILLINOIS 60803
PHONE: 1-800-433-2545
FAX: 1-800-433-2515 • WWW.HOTWATER.COM

Item Description	FSGT	FSGT	PGXT	PGXT
	40	50	40	50
	224/225	224/225	224/225	224/225
1 ... Anode.....	43817-25	43817-38	43817-38	43817-50
BAFFLE				
2 Baffle, Flue	181753	181753	181753	181753
3 Restrictor, Flue	35405	35405	35405	35405
4 ... BURNER ASS'Y, Natural, 224 Series	181980	181980-2	181980	181980-2
4 ... BURNER ASS'Y, Propane, 225 Series	181980-1	181980-3	181980-1	181980-3
5 Burner, Main - Natural	181970	181970	181970	181970
5 Burner, Main - Propane	182104	182104	182104	182104
6 Orifice, Main - Natural	181508-29	181508-27	181508-29	181508-27
6 Orifice, Main - Propane	181791-45	181791-43	181791-45	181791-43
7 Burner Ass'y, Pilot - Natural	181805-4	181805-4	181805-4	181805-4
7 Burner Ass'y, Pilot - Propane	181805-5	181805-5	181805-5	181805-5
8 Thermocouple	23673	23673	23673	23673
9 Tube, Main Burner - Natural	181947-4	181947-9	181947-4	181947-9
9 Tube, Main Burner - Propane	182028-2	182028-8	182028-2	182028-8
10 Tube, Pilot	23330	23330	23330	23330
DOOR				
11 Inner.....	181667-1	181667-1	181667-1	181667-1
12 Outer.....	180522-700	180522-700	180522-700	180522-700
13 .. HEAT TRAP - Inlet Tube	181068-36	181068-36	181068-36	181068-36
14 .. HEAT TRAP - Outlet	181235	181235	181235	181235
15 .. HOOD, Draft	181963	181963	181963	181963
16 ..*INSERT SHEET	183066	183066	183066	183066
17 ..*INSTRUCTION MANUAL	183059	183059	183059	183059
LABELS				
18 Flammable Vapor	181139	181139	181139	181139
19 Lighting & Operating	182797	182797	182797	182797
20 Scald Warning	181138	181138	181138	181138
21 *Temperature	182734	182734	182734	182734
22 .. Lighter Rod & Cable Assembly	180117	180117	180117	180117
THERMOSTAT				
23 Natural	180193-4	180193-5	180193-4	180193-5
23 Propane	181775-3	181775-4	181775-3	181775-4
24 .. Tube, Inlet (Includes 42589-1 Spacer)	160374-30	160374-30	160374-30	160374-30
25 .. Valve, Drain	42037-3	42037-1	42037-3	42037-1
26 .. Valve, T & P	43151-2	43151-2	43151-2	43151-2
SMR H43; North Carolina Code				
13 .. Heat Trap - Inlet Tube	181295-36	181295-36	181295-36	181295-36
24 .. Tube, Inlet (Includes 42589-1 Spacer)	160375-30	160375-30	160375-30	160375-30
26 .. Valve, T & P - McBee	—————	43151-2	—————	43151-2
26 .. Valve, T & P - Juarez	—————	43151-2	—————	43151-2

Item Description	FSGT	FSGT	PGXT	PGXT
	40	50	40	50
	224/225	224/225	224/225	224/2256
SMR S44; Massachusetts Code				
1 ... Anode	29109-29	29109-38	29109-44	29109-44
13 ... Heat Trap - Inlet Tube	181295-36	181295-36	181295-36	181295-36
24 ... Tube, Inlet (Includes 42589-1 Spacer)	160375-30	160375-30	160375-30	160375-30
SMR R99; California Code				
17 ... Earthquake Manual	181809	181809	181809	181809
16 ... Insert Sheet	182552	182552	182552	182552
SMR S19; Magnesium Anode				
1 ... Anode	43816-38	29109-44	29109-44	29109-44
SMR K32; Denver or High Altitude Natural Gas				
1 ... Anode	43816-38	29109-44	29109-44	29109-44
4 ... BURNER ASS'Y Natural	181980-4	181980-6	181980-4	181980-6
5 ... Burner, Main - Natural	181970	181970	181970	181970
6 ... Orifice, Main - Natural	181508-30	181508-29	181508-30	181508-20
7 ... Burner Tube Assembly	181947-4	181947-9	181947-4	181947-9
8 ... Burner Ass'y, Pilot - Natural	181805-4	181805-4	181805-4	181805-4
9 ... Thermocouple	<u>23673</u>	<u>23673</u>	<u>23673</u>	<u>23673</u>
10 ... Pilot Tube	<u>23330</u>	<u>23330</u>	<u>23330</u>	<u>23330</u>
SMR S33; High Altitude Propane Gas				
1 ... Anode	43816-38	29109-44	29109-44	29109-44
4 ... BURNER ASS'Y, Propane, 225 Series	181980-5	181980-7	181980-5	181980-7
5 ... Burner, Main - Propane	182104	182104	182104	182104
6 ... Orifice, Main - Propane	181791-47	181791-45	181791-47	181791-45
7 ... Burner Tube Assembly	182028-2	182028-8	182028-5	182028-8
8 ... Burner Ass'y, Pilot - Propane	181805-5	181805-5	181805-5	181805-5
9 ... Thermocouple	<u>23673</u>	<u>23673</u>	<u>23673</u>	<u>23673</u>
10 ... Pilot Tube	<u>23330</u>	<u>23330</u>	<u>23330</u>	<u>23330</u>
SMR S29; Washigton Natural Gas				
1 ... Anode	43816-38	29109-44	-----	-----
Nipple	38469-10	38469-10	-----	-----
SMR S43; Atkins Special				
26 ... Valve, T & P - McBee	-----	43151-2	-----	43151-2
Valve, T & P - Juarez	-----	43151-2	-----	43151
SMR S45; Top Relief Valve Opening				
1 ... Anode, Outlet	182470-42	182470-42	182470-42	182470-42
Pipe Plug	92650-1	92650-1	92650-1	92650-1
Nipple	38469-4	38469-4	38469-4	38469-4
SMR P83; Minnegasco				
26 ... Valve, T & P - McBee	-----	43151-2	-----	43151-2
Valve, T & P - Juarez	-----	43151-2	-----	43151-2
NOTE: Underlined parts are recommended stock items for emergency replacement. Consider gas used in your area only. * Not illustrated.				

A.O. SMITH
WATER PRODUCTS
COMPANY



A.O. SMITH WATER PRODUCTS CO., INC.
5621 W. 115TH STREET • ALSIP, ILLINOIS 60803
PHONE: 1-800-433-2545 • FAX: 1-800-433-2515
website: www.hotwater.com/parts • email: parts@hotwater.com