

A.O. SMITH

WATER PRODUCTS COMPANY

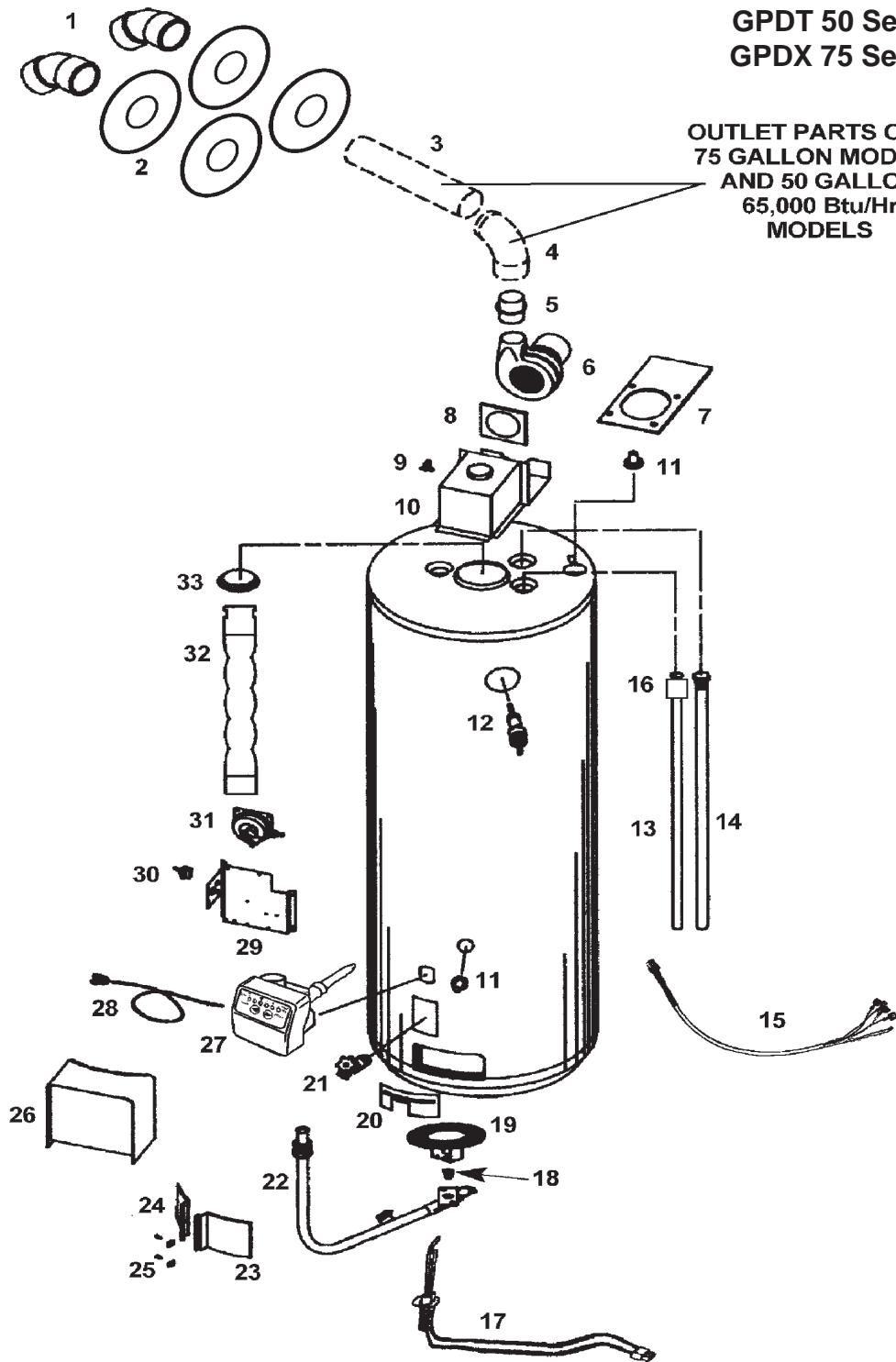
GAS

Power Direct Vent Parts List

GPDH 40/50 Series 100/101

GPDT 50 Series 100/101

GPDH 75 Series 100/101



**OUTLET PARTS ONLY
75 GALLON MODELS
AND 50 GALLON
65,000 Btu/Hr
MODELS**

A.O. SMITH WATER PRODUCTS COMPANY

5621 W. 115TH STREET • ALSIP, ILLINOIS 60803

PHONE: 1-800-433-2545 • FAX: 1-800-433-2515

Website: www.aosmithwaterheaters.com • E-mail: parts@hotwater.com

Item	Description	GPDH 40 100/101	GPDH 50 100/101	GPDT 50 100/101	GPDX 75 100/101
1.	Vent Cap w/Screen	192815-000	192815-000	192815-000	192815-000
2.	Adaptor, Flue Mounting	181557-000	181557-000	181557-000	181557-000
3.	5' ABS Schedule 40 Vent Pipe	-----	-----	0008400870	0008400870
4.	90-deg. ABS Sch. 40 Elbow	-----	-----	0006600690	0006600690
5.	Vent Blower Adaptor	0015140530	0015140530	0015153390	0015140530
6.	Blower	0012400400	0012400400	0012400550	0012400490
7.	Flue Adaptor Gasket 6" x 10.102"	0005301100	0005301100	0005301100	0005301100
8.	Blower Gasket	0005301040	0005301040	0005301040	0005301040
9.	Venting Manual Reset Switch	0001804500	0001804500	0001804500	0001804500
10.	Vent Hood Assembly	0015143280	0015143280	0015154270	0015147330
11.	Gasket -Wiring	0010100190	0010100190	0010100190	0010100190
12.	T&P Valve	043151-000	043151-000	043151-000	043151-000
13.	Dip Tube	183900-020	183900-018	183900-024	183900-028
13.	Dip Tube Circ. Loop "Q" Model	183901-025	-----	183901-033	183901-040
14.	Anode, Aluminum	183523-029	183523-029	183523-033	183523-039
14.	Anode, Magnesium	183463-026	183463-026	183463-032	183463-039
15.	Wiring Harness	184289-000	184289-000	184289-000	184289-000
16.	Inlet Tube Spacer	184011-000	184011-000	184011-000	184011-000
17.	Hot Surface Ignition Assembly	184047-000	184047-000	184047-000	195128-000
18.	Orifice Natural Standard	181507-033	181507-033	181507-027	181507-025
18.	Orifice Natural High Altitude	181507-036	181507-036	181507-029	181507-028
18.	Orifice Propane Standard	181791-051	181791-051	181791-043	181791-043
18.	Orifice Propane High Altitude	181791-052	181791-052	181791-044	181791-044
19.	Burner Assembly Natural Gas	184343-000	184343-000	194549-000	194549-000
19.	Burner Assembly Propane Gas	184343-000	184343-000	184351-000	184351-000
20.	Inner Door	0003901050	0003901050	0003901050	0003901050
21.	Drain Valve	026273-007	026273-007	026273-007	026273-007
22.	Manifold Natural Gas	184322-001	184322-001	184322-001	184320-002
22.	Manifold Propane Gas	184325-001	184325-001	184325-001	184323-002
23.	Right Access Door w/Gasket	0015123490	0015123490	0015123490	0015123490
24.	Left Access Door w/Gasket	0015123500	0015123500	0015123500	0015123500
25A. ..	Access Door Clips	0002400720	0002400720	0002400720	0002400720
25B. ..	Jacket/Access Door Clips	0002400801	0002400801	0002400801	0002400801
26.	Pressure Switch (Air) Cover	184316-000	184316-000	184316-000	184316-000
27.	Gas Thermostat Natural Gas	184768-004	184768-004	184768-004	184768-002
27.	Gas Thermostat Propane Gas	184768-005	184768-005	184768-005	184768-003
28.	Power Cord	181345-000	181345-000	181345-000	181345-000
29.	Mounting Bracket	185264-000	185264-000	185264-000	185264-000
30.	On/Off Switch	184353-000	184353-000	184353-000	184353-000
31.	Pressure Switch (Air)	184355-003	184355-004	184355-000	184355-003
32.	Flue Baffle Assembly	0015143460	0015145380	0015154260	0015146950
33.	Baffle Adaptor Collar Assembly	Consist of;	-----	Consist of;	Consist of;
	a. Flue Baffle	0004800980	-----	0004800990	0004800990
	b. Adaptor Gasket	0005300810	-----	0005300820	0005300820
	c. Top Adaptor	196055-000	-----	196057-000	196057-000
34.**	3" Heat Trap Nipple	184633-002	184633-002	184633-002	184633-002
35.**	Outlet Anode w/3" HT Nipple*	184977-216	184977-216	184977-216	184977-216

* Circulating Loop Models Only.

** Not Pictured.