

Ac-U-Temp

HOT WATER SUPPLY SYSTEM USING GENESIS® BOILERS

With Ac-U-Temp, A. O. Smith makes it easy as possible to install a complete packaged hot water supply system, combining 84% efficient Genesis® boilers with storage tanks up to 1,000 gallons. Each Ac-U-Temp system is custom-made to your specifications for each application and shipped fully assembled, pre-piped and pre-wired. All the installer has to do is make the flue, gas, electrical and water connections, so installations are easy.

Consult your A. O. Smith representative for more information on the wide range of available boiler/storage tank combinations using the Ac-U-Temp system.

GENESIS® BOILERS—UP TO 84% THERMAL EFFICIENCY

- The highest possible efficiency for a non-condensing boiler
- Available inputs range from 300,000 to 2,500,000 BTU
- Flexible conventional-vent or sealed-combustion direct-vent options
- For complete information on Genesis® Hot Water Supply Boilers, consult Specification Sheet

GLASS-LINED STORAGE TANKS

- Standard capacities up to 1,000 gallons
- Custom tanks available up to 10,000 gallons
- Standard tanks are factory jacketed and insulated – bare uninsulated tanks also available
- Optional cement or epoxy-lined tanks available
- For complete information on standard tanks, consult tank spec sheet or see your local rep

MULTIPLE BOILER SYSTEMS

- Ac-U-Temp systems can be designed with multiple boilers to provide 50%–100% back-up
- Boilers can be on & off fired, or sequenced to meet changing system demands
- Sequenced multi-boiler systems with small storage tanks are ideal for applications with relatively constant hot water demands
- Optional sequenced control panel available

MULTIPLE TANK SYSTEMS

- Ac-U-Temp systems can be designed with multiple tanks for applications with low ceiling heights or other unique installation challenges

DUAL ENERGY SOURCE OPTION

- Storage tanks can be specified with heat exchangers to allow winter/summer heating boiler operation
- Water-to-water or steam-to-water heat exchangers available in both single-wall or double-wall design
- Complete control packages can be factory-installed for “hook up and run” simplicity

**MODELS
GWT-300
through
GWT-2500**



ASME



OPTIONAL

CRN



Commercial Gas Boilers

Ac-U-Temp

ELECTRIC BACK-UP OPTION

- Storage tanks can be specified with heavy-duty electric heating elements and controls for up to 3,000 Kilowatt (kW) input
- 100% electric back-up ensures hot water supply even during gas outages

OTHER FEATURES:

ASME TEMPERATURE AND PRESSURE RELIEF VALVE #125
 TANK TEMPERATURE SENSOR AND THERMOMETER
 ISOLATION VALVES (BALL VALVES)
 125 PSI TANK WORKING PRESSURE
 CAST-IRON BRONZE-FITTED CIRCULATING PUMP
 LARGE SYSTEMS SHIPPED WITH SPLIT/BOLT TOGETHER SKIDS FOR EASE OF SHIPPING AND INSTALLATION

OTHER OPTIONS:

ALL-BRONZE CIRCULATING PUMP
 150 AND 160 PSI TANK WORKING PRESSURES
 11"x 15" MANHOLES

HORIZONTAL STORAGE VESSEL DATA

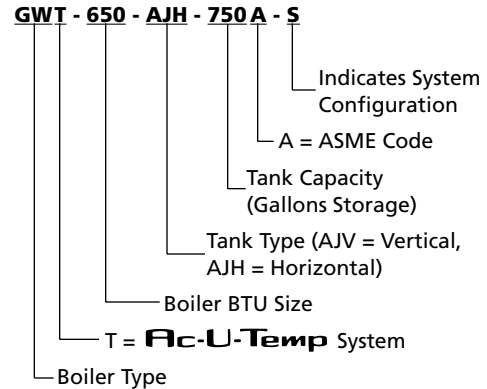
MODEL NUMBER	INCHES OR CM	DIMENSIONS						
		LENGTH (A1)	OUTLET DIM (A2)	WIDTH (B1)	HEIGHT (B2)	INLET HEIGHT (B3)	INLET SIZE	OUTLET SIZE
AJH-200	Inches	77	18	36	16	21	2-1/2	2-1/2
	cm	195.6	45.7	91.4	40.6	53.3	6.4	6.0
AJH-350	Inches	93	19-1/2	42	15-1/2	247	2-1/2	2-1/2
	cm	236.2	49.5	106.7	39.4	627.4	6.4	6.4
AJH-400	Inches	99	19-1/2	42	15-1/2	24	2-1/2	2-1/2
	cm	251.5	49.5	106.7	39.4	61	6.4	6.4
AJHT-500	Inches	94	21	48	16	27	3	3
	cm	238.8	53.3	121.9	40.6	68.6	7.6	7.6
AJH-500	Inches	79	56-1/2	54	59	30	3	3
	cm	200.7	143.5	137.2	149.9	76.2	7.6	7.6
AJH-750	Inches	111	22-1/2	54	16-1/2	30	3	3
	cm	281.9	57.2	137.2	41.9	76.2	7.6	7.6
AJH-1000	Inches	143	22-1/2	54	163-1/2	30	3	3
	cm	363.2	57.2	137.2	415.3	76.2	7.6	7.6

Ac-U-Temp

BOILER DATA

MODEL NUMBER	INCHES OR CM	DIMENSIONS		
		LENGTH (C2)	WIDTH (C1)	HEIGHT (D)
GW-300	Inches	29-1/2	24	32
	cm	74.9	61	81.3
GW-400	Inches	35-3/4	24	32
	cm	90.8	61	81.3
GW-500	Inches	42	24	32
	cm	106.7	61	81.3
GW-650	Inches	51-3/8	24	32
	cm	130.5	61	81.3
GW-750	Inches	57-5/8	24	32
	cm	146.4	61	81.3
GW-1000	Inches	47	31-3/4	42-1/2
	cm	119.4	80.6	108
GW-1300	Inches	57-1/2	31-3/4	42-1/2
	cm	146.1	80.6	108
GW-1500	Inches	64-1/2	31-3/4	42-1/2
	cm	163.8	80.6	108
GW-1850	Inches	78-3/4	31-3/4	45-1/4
	cm	200	80.6	114.9
GW-2100	Inches	85-1/2	31-3/4	45-1/4
	cm	217.2	80.6	114.9
GW-2500	Inches	85-1/2	31-3/4	45-1/4
	cm	217.2	80.6	114.9

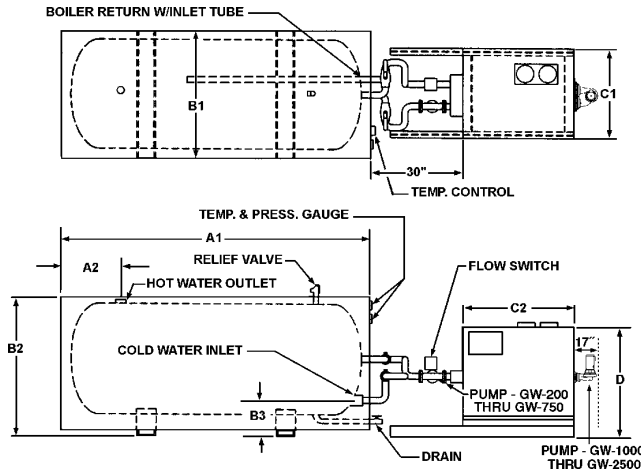
Model to Specify:



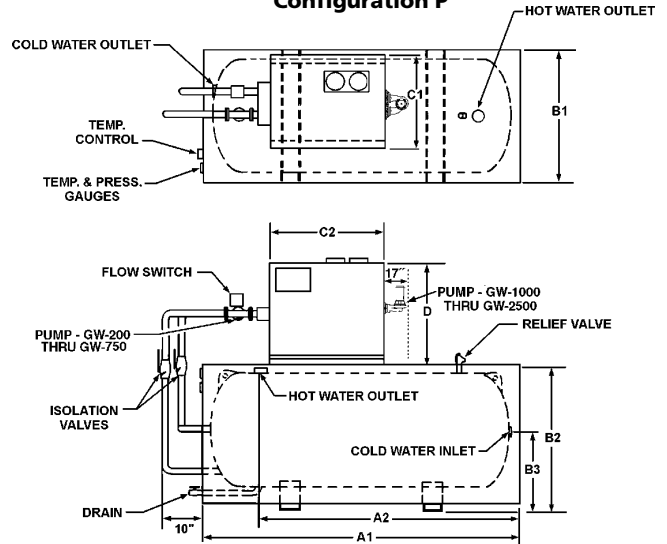
VERTICAL STORAGE VESSEL DATA

MODEL NUMBER	INCHES OR CM	DIMENSIONS				
		HEIGHT (A)	WIDTH (B1)	INLET HEIGHT (B2)	INLET SIZE	OUTLET SIZE
AJV-120	Inches	67-1/4	28	15	2	2
	cm	170.8	71.1	38.1	5.1	5.1
AJV-140	Inches	88	30	19	2-1/2	2-1/2
	cm	223.5	76.2	49.5	6.4	6.4
AJV-200	Inches	84	36	21	2-1/2	2-1/2
	cm	213.4	91.4	53.3	6.4	6.4
AJV-250	Inches	97	36	21	2-1/2	2-1/2
	cm	246.4	91.4	53.3	6.4	6.4
AJV-350	Inches	99	42	25-1/2	2-1/2	2-1/2
	cm	251.5	106.7	57.2	6.4	6.4
AJV-400	Inches	106	42	22-1/2	2-1/2	2-1/2
	cm	269.2	106.7	57.2	6.4	6.4
AJVT-500	Inches	101	48	24	3	3
	cm	256.5	121.9	61	7.6	7.6
AJV-500	Inches	86	54	25-1/2	3	3
	cm	218.4	137.2	64.8	7.6	7.6
AJV-750	Inches	118	54	25-1/2	3	3
	cm	299.7	137.2	64.8	7.6	7.6
AJV-1000	Inches	118	54	25-1/2	3	3
	cm	299.7	137.2	64.8	7.6	7.6

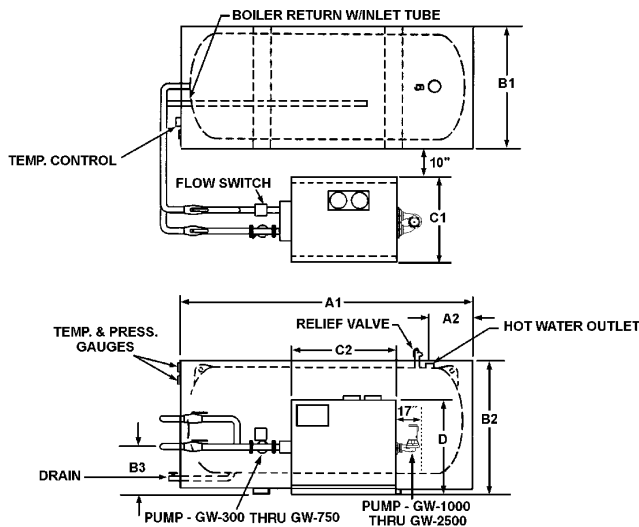
Configuration H



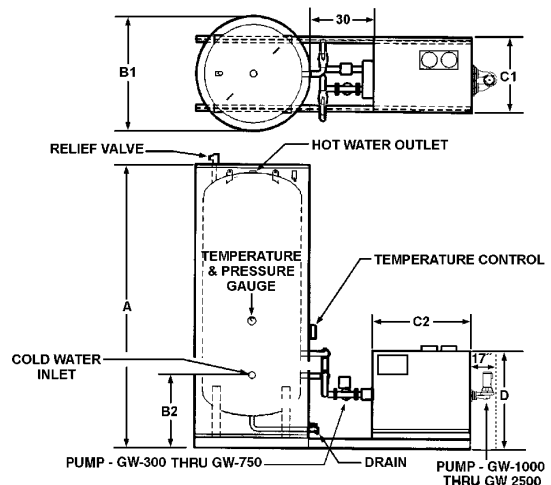
Configuration P



Configuration S



Configuration V



SUGGESTED SPECIFICATION

Hot Water Supply System - shall consist of A. O. Smith Ac-U-Temp® factory assembled unit Model No. _____. System shall be completely factory assembled and shall include the A. O. Smith Genesis hot water supply boiler(s), with input of ____ BTU/H for ____ gas and recovery capacity of ____ gph, and the A. O. Smith glass-lined (cement/epoxy) hot water storage tank with ____ gallons capacity for ____ mounting (vertical-horizontal). System shall include properly sized circulator, inlet and outlet thermometers, tank temperature thermometer, relief valve, and tank temperature control. Entire system shall be rigidly mounted on welded steel skid base and shipped assembled to job site (Ac-U-Temp systems employing tanks too large for shipping as an assembled unit, will be shipped with the tank mounted on a split bolt-together skid).

See Genesis Boiler Specifications and Storage Tank Specifications in your A & E book. Hot water supply boiler(s) and storage tank(s) shall have a 5 year limited warranty against corrosion as outlined in the written warranty.

NOTE: Custom arrangement also available. Consult factory.