

CONDENSATE NEUTRALIZING KITS

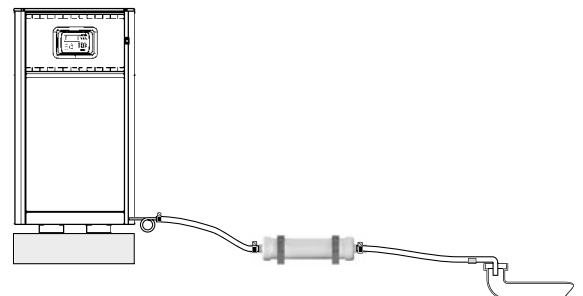
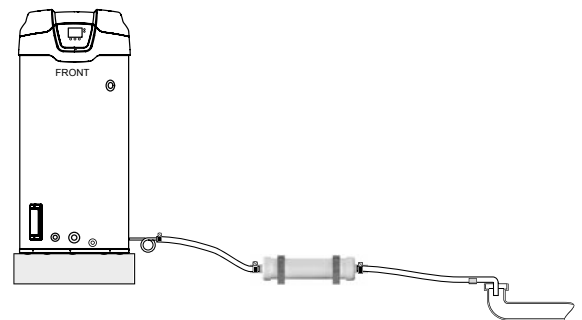
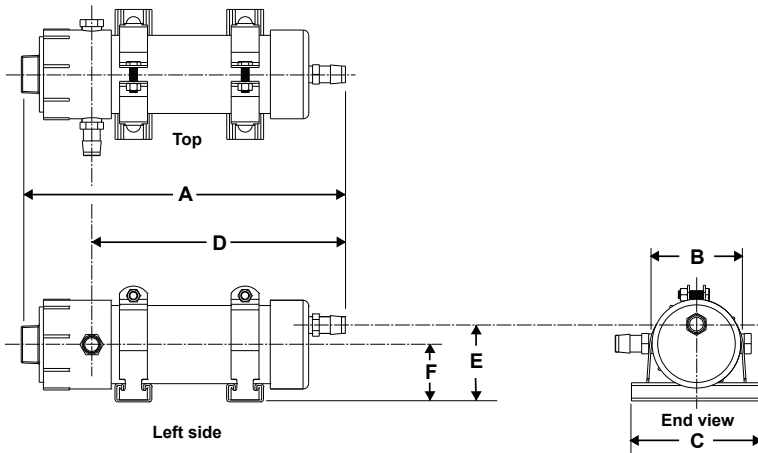
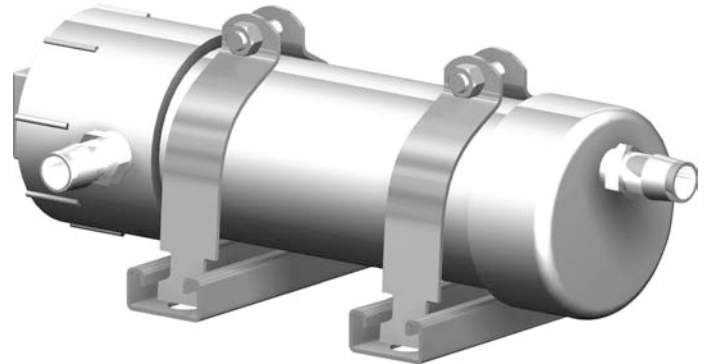
A. O. Smith flue-side neutralizing tubes are designed to raise the pH level of the condensate discharged by high-efficiency boilers and water heaters.

INCREASES pH OF CONDENSATE BY 1-3 TIMES

- Results in a reduction of acidity of 10 to 30 times of the condensate leaving the appliance.

PREVENTS POSSIBLE DAMAGE TO:

- Cast Iron Soil Pipe
- ABS Pipe
- Septic Tanks
- Plants
- Waste Water Treatment Plants
- Other Waste Water Equipment and Components



Ratings and Dimensions (Inches)								
Model	BTUH Input Capacity	GPH	A	B	C	D	E	F
CNS-2	75,000 to 199,000	2	15	2-3/4	3-1/2	N/A	2-1/4	2-1/4
CNS-6	200,000 to 500,000	6	14-1/4	4	6	10-3/4	3-1/2	2-1/2
CNS-10	501,000 to 1M	10	19	4	6	16-1/4	3-1/2	2-1/2
CNS-20	1.1M to 2M	20	19-1/2	5	6	16-1/4	4-1/2	3-1/2
CNS-30	2.1M to 3.4M	30	24-1/2	5	6	21	4-1/2	3-1/2