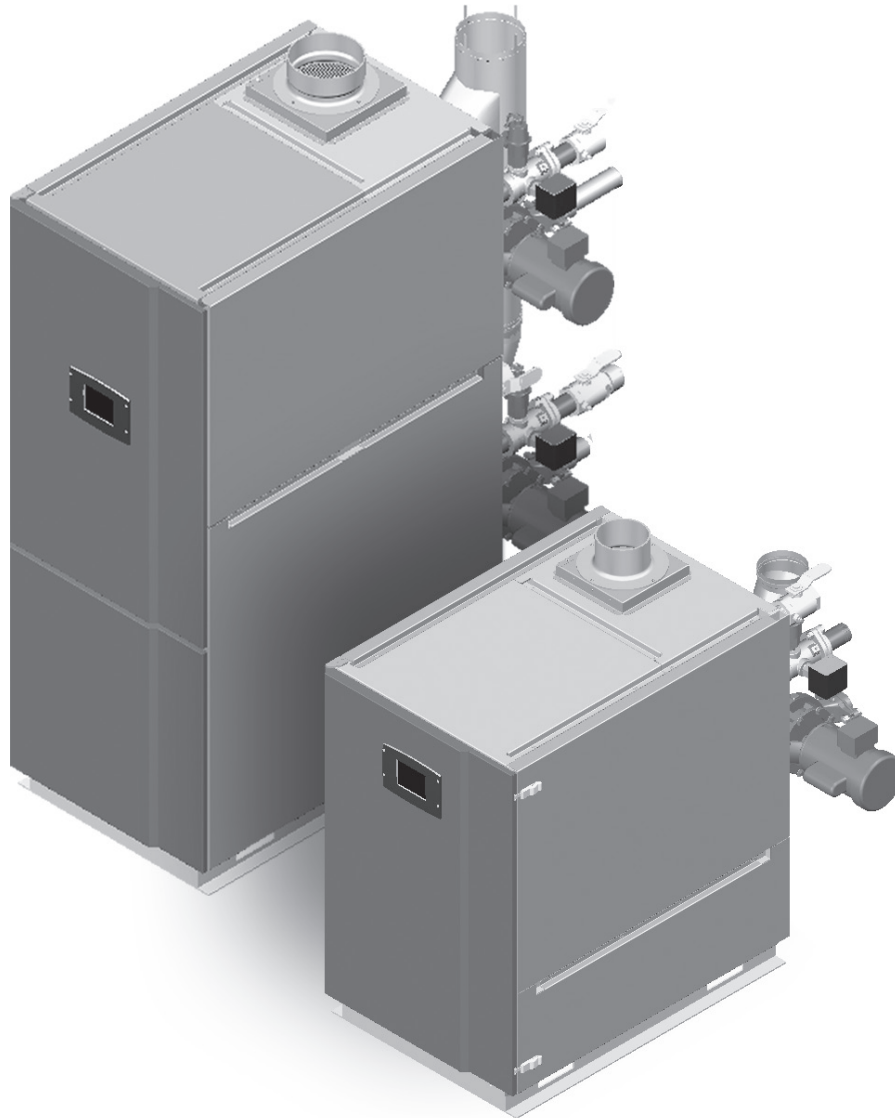




A.O. Smith Water Heater Parts Fulfillment
125 Southeast Parkway • Franklin, TN 37068
www.hotwater.com • 1-800-433-2545

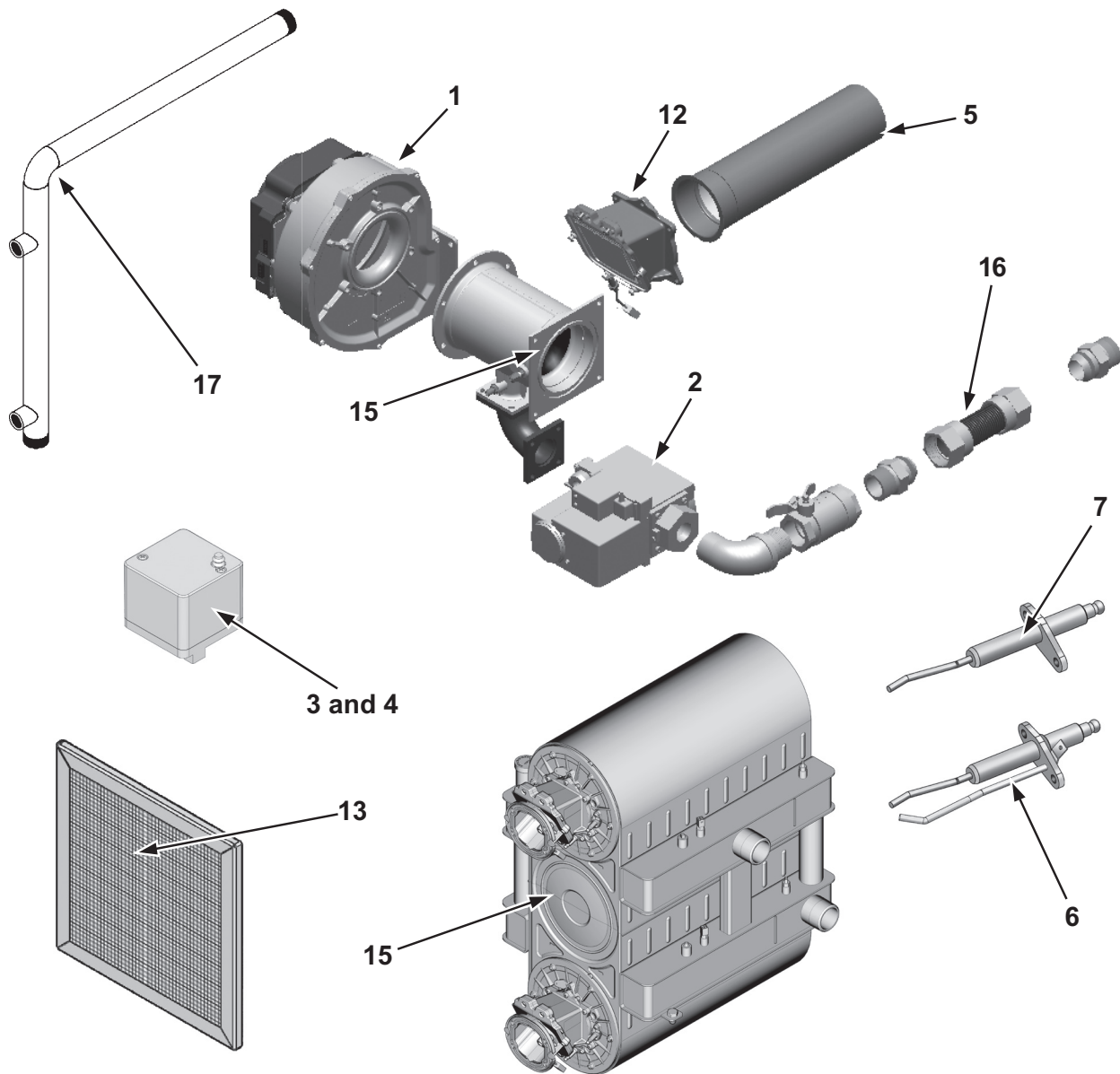
REPLACEMENT PARTS LIST

**BOILERS FOR HYDRONIC
HEATING & HOT WATER SUPPLY
XP/XW MODELS 1000, 1300, 1700,
2000, 2600, 3400
SERIES 100/101**



GAS AND BURNER ASSEMBLY PARTS LIST

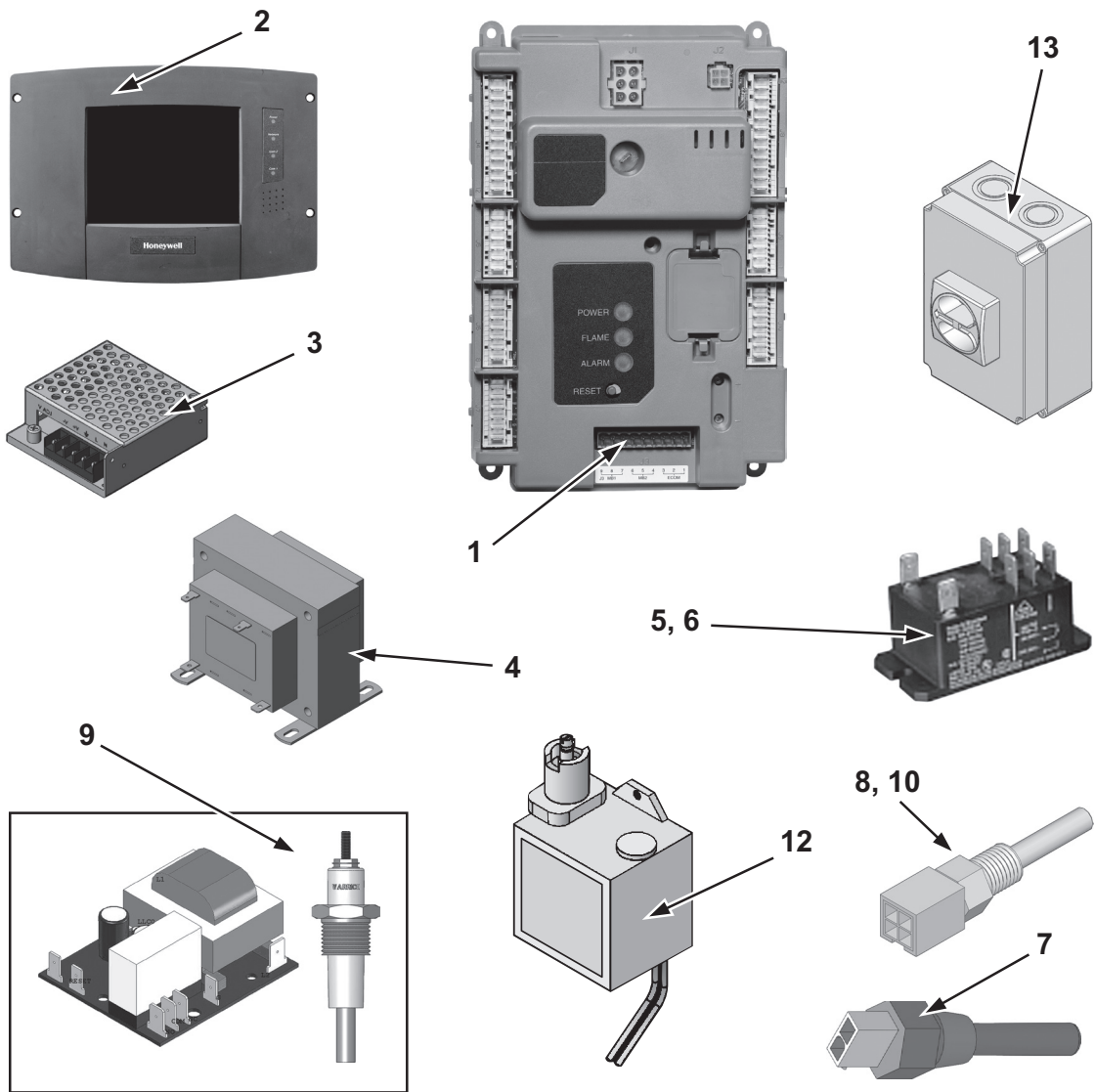
Item	Description	XW/XB 1000	XW/XB 1300	XW/XB 1700	XW/XB 2000	XW/XB 2600	XW/XB 3400
1	Blower.....	9008030005(2)...	9008031005(2) ..	9008031005(2) ..	9008030005(4)...	9008031005(4)...	9008031005(4)
2	Gas Valve	9008032005(2)...	9007414005(2) ..	9007414005(2) ..	9007414005(4) ..	9007414005(4) ..	9007414005(4)
3	Low Gas Pressure Switch.....	9008033015.....	9008033015	9008033015.....	9008033015	9008033015	9008033015
4	High Gas Pressure Switch.....	9008034015.....	9008034015	9008034015.....	9008034015	9008034015	9008034015
5	Burner Kit.....	9008035005(2)...	9008036005(2) ..	9008036005(2) ..	9008035005(4)...	9008036005(4)...	9008036005(4)
6	Igniter Kit.....	9008037005(2)...	9008037005(2) ..	9008037005(2) ..	9008037005(4) ..	9008037005(4) ..	9008037005(4)
7	Flame Sensor Kit.....	9008038015(2)...	9008038015(2) ..	9008038015(2) ..	9008038015(4) ..	9008038015(4) ..	9008038015(4)
8	Blower Gasket.....	321762-000(2)...	321757-000(2) ..	321757-000(2) ..	321762-000(4) ..	321757-000(4) ..	321757-000(4)
9	Burner Gasket	321756-000(2)...	321756-000(2) ..	321756-000(2) ..	321756-000(4) ..	321756-000(4) ..	321756-000(4)
10	Igniter Gasket.....	321751-000(2)...	321751-000(2) ..	321751-000(2) ..	321751-000(4) ..	321751-000(4) ..	321751-000(4)
11	Flame Sensor Gasket.....	321752-000(2)...	321752-000(2) ..	321752-000(2) ..	321752-000(4) ..	321752-000(4) ..	321752-000(4)
12	Flapper	9008039005(2)...	9008056005(2) ..	9008056005(2) ..	9008039005(4)...	9008056005(4)...	9008056005(4)
13	Inlet Air Filter.....	320350-000	320350-000	320372-000	320372-000	320372-000	320373-000
14	Replacement Heat Exchanger	9008040005.....	9008041005	9008042005.....	9008040005(2)...	9008041005(2)...	9008042005(2)
15	Venturi Flange Gasket.....	320211-000(2) ..	320211-000(2) ..	320211-000(2) ..	320211-000(2) ..	320211-000(2) ..	320211-000(2)
16	Flex Tube.....	9008043005(2)...	9008043005(2) ..	9008044005(2) ..	9008043005(2) ..	9008043005(2) ..	9008044005(2)
17	Gas Manifold	9008045005.....	9008045005	9008046005.....	9008047005.....	9008047005	9008048005



A.O. Smith Water Heater Parts Fulfillment
 125 Southeast Parkway • Franklin, TN 37068 • 1-800-433-2545 • www.hotwater.com

CONTROL ASSEMBLY

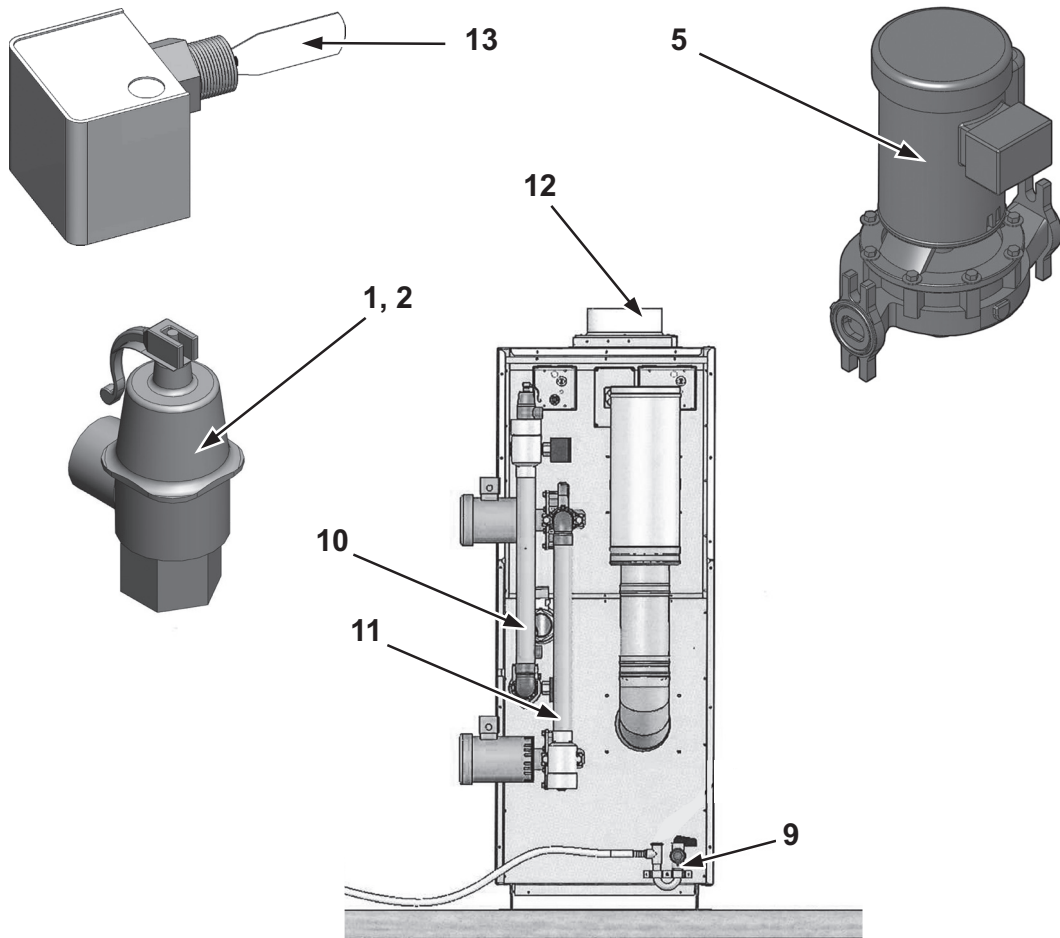
Item	Description	XW/XB 1000	XW/XB 1300	XW/XB 1700	XW/XB 2000	XW/XB 2600	XW/XB 3400
1	Control Board	9008049005(2)	9008049005(2)	9008049005(2)	9008049005(4)	9008049005(4)	9008049005(4)
2	Display	9008050005	9008050005	9008050005	9008050005	9008050005	9008050005
3	Display Power Supply	9008051005	9008051005	9008051005	9008051005	9008051005	9008051005
4	Transformer	9004639205	9004639205	9004639205	9007353005	9007353005	9007353005
5	Relay, 120 Volt	9006612005	9006612005	9006612005	9006612005(2)	9006612005(2)	9006612005(2)
6	Relay, 24 Volt				9008052015(2)	9008052015(2)	9008052015(2)
7	Inlet Sensor	9008053015(2)	9008053015(2)	9008053015(2)	9008053015(4)	9008053015(4)	9008053015(4)
8	Outlet Sensor	9008054015(2)	9008054015(2)	9008054015(2)	9008054015(4)	9008054015(4)	9008054015(4)
9	Low Water Cutoff Kit	9007337005	9007337005	9007337005	9007337005	9007337005	9007337005
10	Flue Sensor	9008057015	9008057015	9008057015	9008057015(2)	9008057015(2)	9008057015(2)
11	External Ignition Transformer	9008058005(2)	9008058005(2)	9008058005(2)	9008058005(4)	9008058005(4)	9008058005(4)
12	Switch, Interlock	9008059015	9008059015	9008059015	9008059015	9008059015	9008059015
13	Switch Disconnect	9008060015	9008060015	9008060015	9008060015	9008060015	9008060015



A.O. Smith Water Heater Parts Fulfillment
 125 Southeast Parkway • Franklin, TN 37068 • 1-800-433-2545 • www.hotwater.com

WATER CONNECTIONS

Item	Description	XW/XB 1000	XW/XB 1300	XW/XB 1700	XW/XB 2000	XW/XB 2600	XW/XB 3400
1	Relief Valve, Water Heater	9006921005	9006921005	9006921005	9006921005(2)	9006921005(2)	9006921005(2)
2	Relief Valve Boiler	9007331005	9007331005	9007331005	9007331005(2)	9007331005(2)	9007333005(2)
3	Service Flange	212871-002	212871-002	212871-005	212871-002(2)	212871-002(2)	212871-005(2)
4	Service Flange Gasket	212903-000	212903-000	212903-000	212903-000(2)	212903-000(2)	212903-000(2)
5	Pump	9008061005	9008061005	9008062005	9008061005(2)	9008061005(2)	9008062005(2)
6	Pump Flange Kit	9008063005	9008063005	9008064005	-----	-----	-----
7	Pump Flange	-----	-----	-----	212871-002(4)	212871-002(4)	212871-005(4)
8	Pump Flange Gasket	-----	-----	-----	320276-000(2)	320276-000(2)	320276-000(2)
9	Condensate Trap	9008065005	9008065005	9008065005	9008065005	9008065005	9008065005
10	Outlet Manifold	-----	-----	-----	320662-000	320662-000	320685-000
11	Inlet Manifold	-----	-----	-----	320662-000	320662-000	320685-000
12	Air Vent	318902-000	318902-000	318902-000	318902-000(2)	318902-000(2)	318902-000(2)
13	Flow Switch	9005680205	9005680205	9005680205	9005680205(2)	9005680205(2)	9005680205(2)

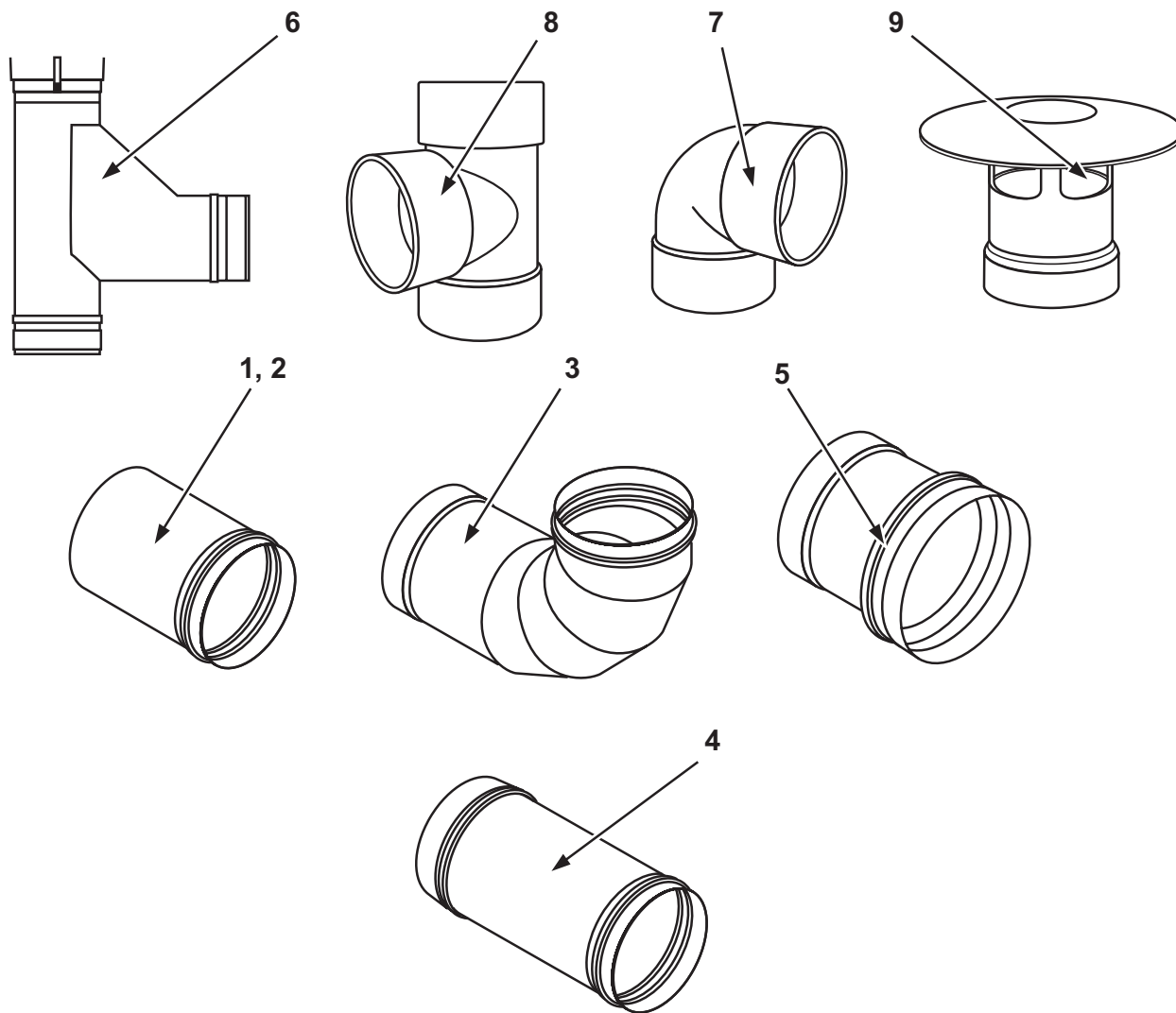


INLET AND VENT CONNECTIONS

Item	Description	XW/XB 1000	XW/XB 1300	XW/XB 1700	XW/XB 2000	XW/XB 2600	XW/XB 3400
1	Heat Exchanger Adapter *	320171-000	320179-000	320179-000	320173-000	320179-000	320182-000
2	Heat Exchanger Adapter **				320171-000	320176-000	320176-000
3	90° Elbow	320172-000	320183-000	320183-000	320172-000	320177-000	320177-000
4	Vent Connector				320170-000	320175-000	320175-000
5	Boot Tee Connector				320174-000	320180-000	320181-000
6	Boot Tee				319412-000	319412-000	318971-000
7	Inlet Air Terminal	321764-000	321764-000	321764-001	321764-001	321764-001	321764-002
8	Horizontal Vent Terminal	321765-000	321765-001	321765-001	321765-001	321765-001	321765-002
9	Vertical Vent Cap	320884-000	320884-001	320884-001	320884-001	320884-001	320884-002

*Single or Upper

**Lower



NOTES

NOTES



A.O. Smith Water Heater Parts Fulfillment

www.hotwater.com

1-800-433-2545

© 2010 A. O. Smith Corporation