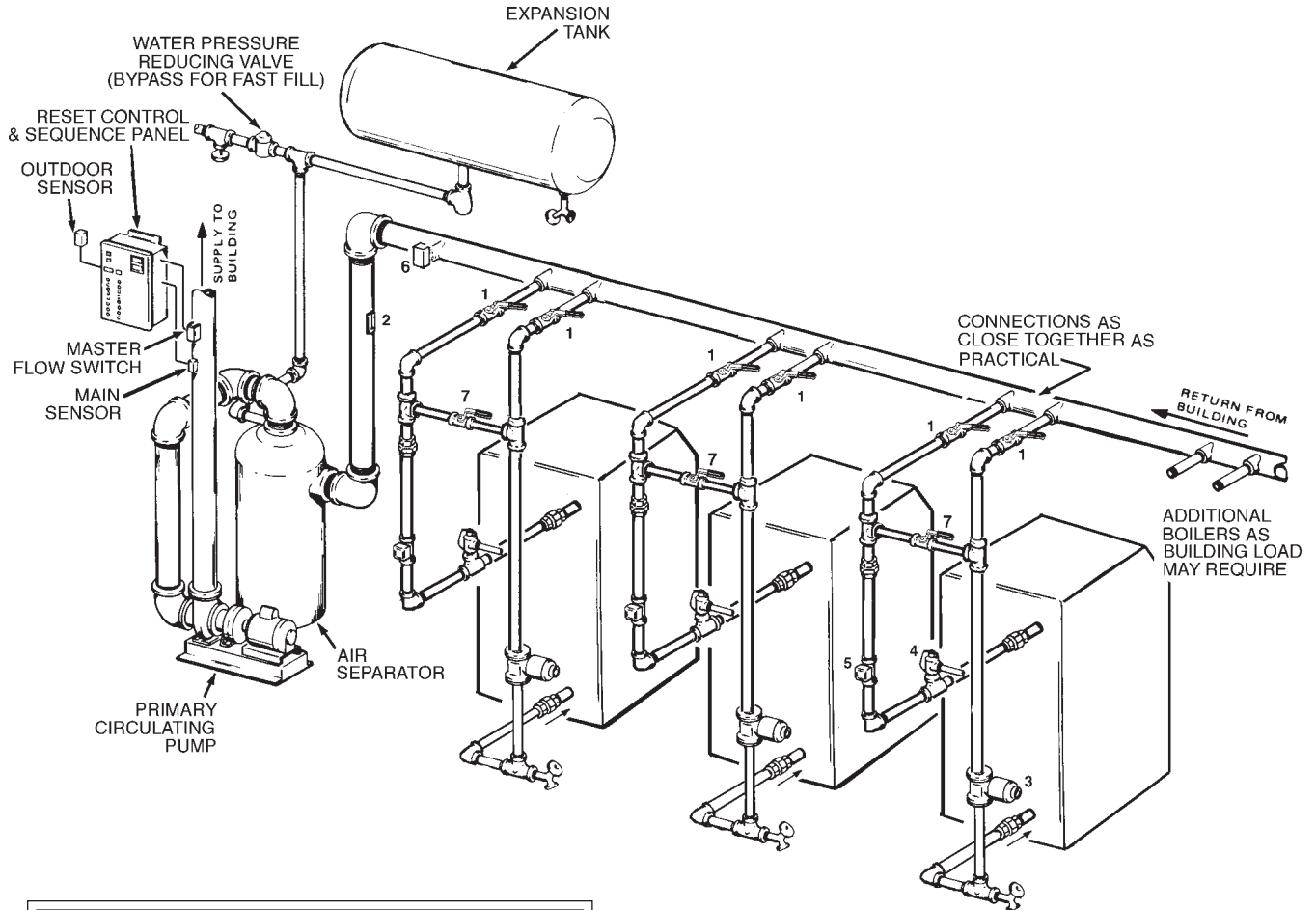


A. O. SMITH

APPLICATION TYPE DIAGRAM
SEE INSTALLATION MANUAL FOR
COMPLETE INSTRUCTIONS

LINEAR-TEMP* SYSTEM LEGEND BOILERS LB-500, LB-750, LB-1000 PRIMARY-SECONDARY PIPING

INSTALL IN ACCORDANCE WITH LOCAL CODES.



1. BALL VALVE
2. THERMOMETER
3. BOILER CIRCULATING PUMP (Secondary)
4. RELIEF VALVE
5. THERALTIMETER
6. PROBE TYPE LOW WATER CUTOFF (If Required)
7. BY-PASS

Secondary flow rate should not create a temperature rise that will force boiler temperatures up to the 240° maximum setting of limit controls.

This piping method is not recommended for systems designed to operate with return water temperatures less than 140°F. (See recommended piping method for Low Temperature Heating Systems A&E Page # E112.0.)

* Trademark A.O. Smith Corporation

SECONDARY PUMP AND PIPE SELECTION DATA FOR CONNECTIONS TO EACH BOILER.

Model LB	Flow Rate @ 20° (F) Temp. Rise		Boiler Inlet & Outlet (inches)
	Flow (gpm)	Head Loss (feet)	
500	44	9.6	2"
750	66	10.0	2"
1000	88	8.6	2"

