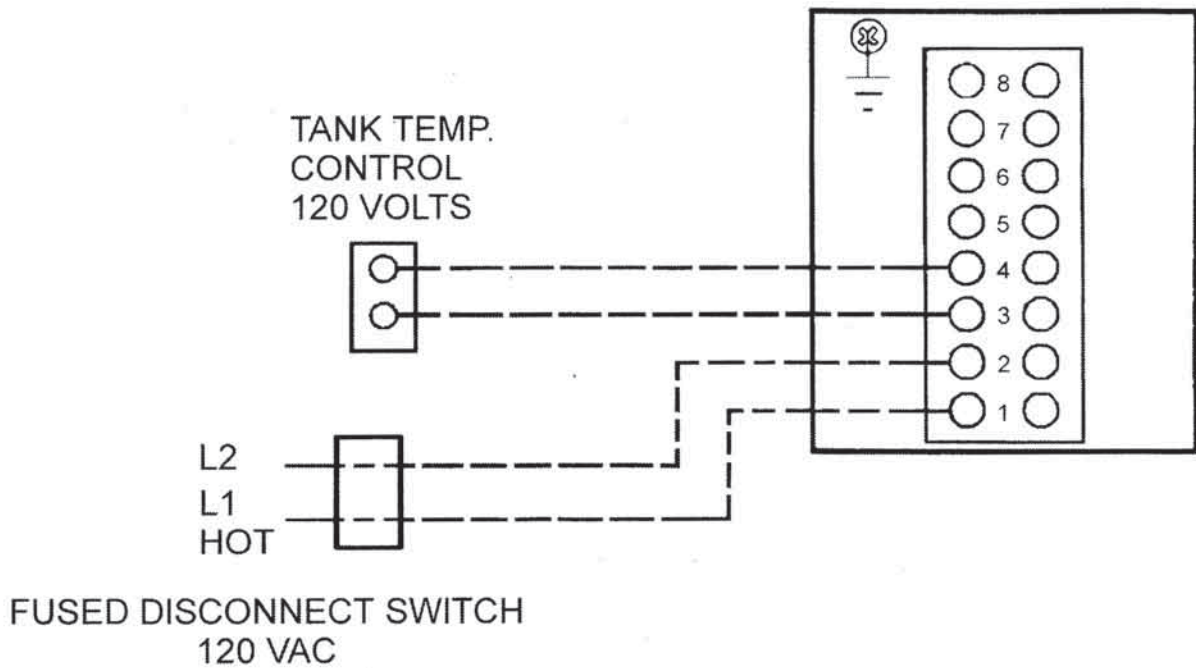




CER-TEMP 80 WIRING DIAGRAM FOR  
DURA-MAX MODELS  
DW-720 THRU DW-1810  
WITH IID SYSTEM  
120 VOLT SYSTEM

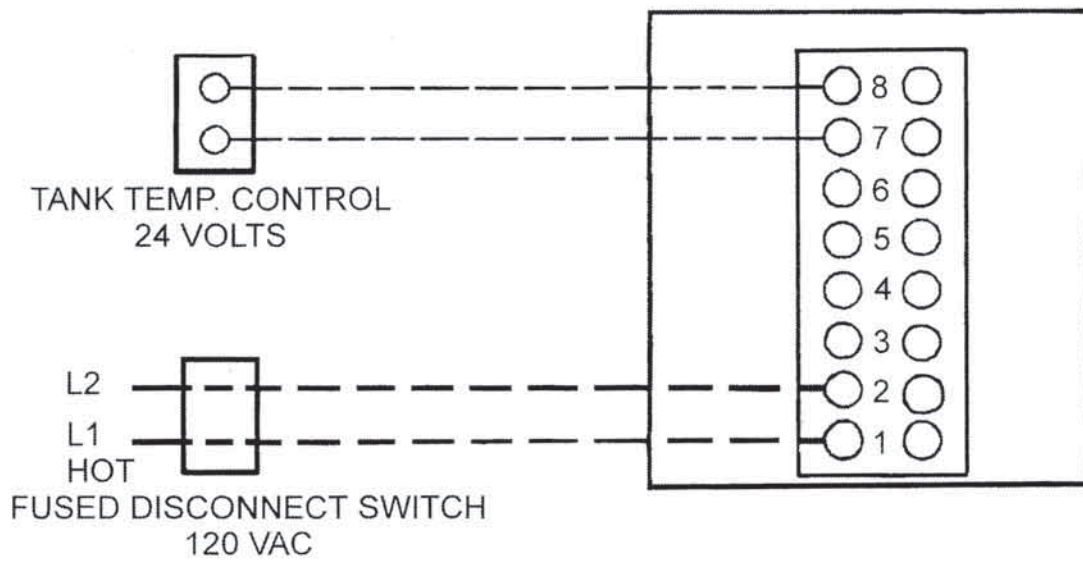


----- FIELD WIRING

IF ANY OF THE ORIGINAL WIRES AS SUPPLIED MUST BE REPLACED,  
USE ONLY TYPE 105°C THERMOPLASTIC OR ITS EQUIVALENT.



CER-TEMP 80 WIRING DIAGRAM FOR  
DURA-MAX MODELS  
DW-720 THRU DW-1810  
WITH IID SYSTEM  
24 VOLTS (SMR Z-29)



----- FIELD WIRING

IF ANY OF THE ORIGINAL WIRES AS SUPPLIED MUST BE REPLACED,  
USE ONLY TYPE 105°C THERMOPLASTIC OR ITS EQUIVALENT.