

A.O. SMITH

WATER PRODUCTS COMPANY



PSD-3-618/A

GAS

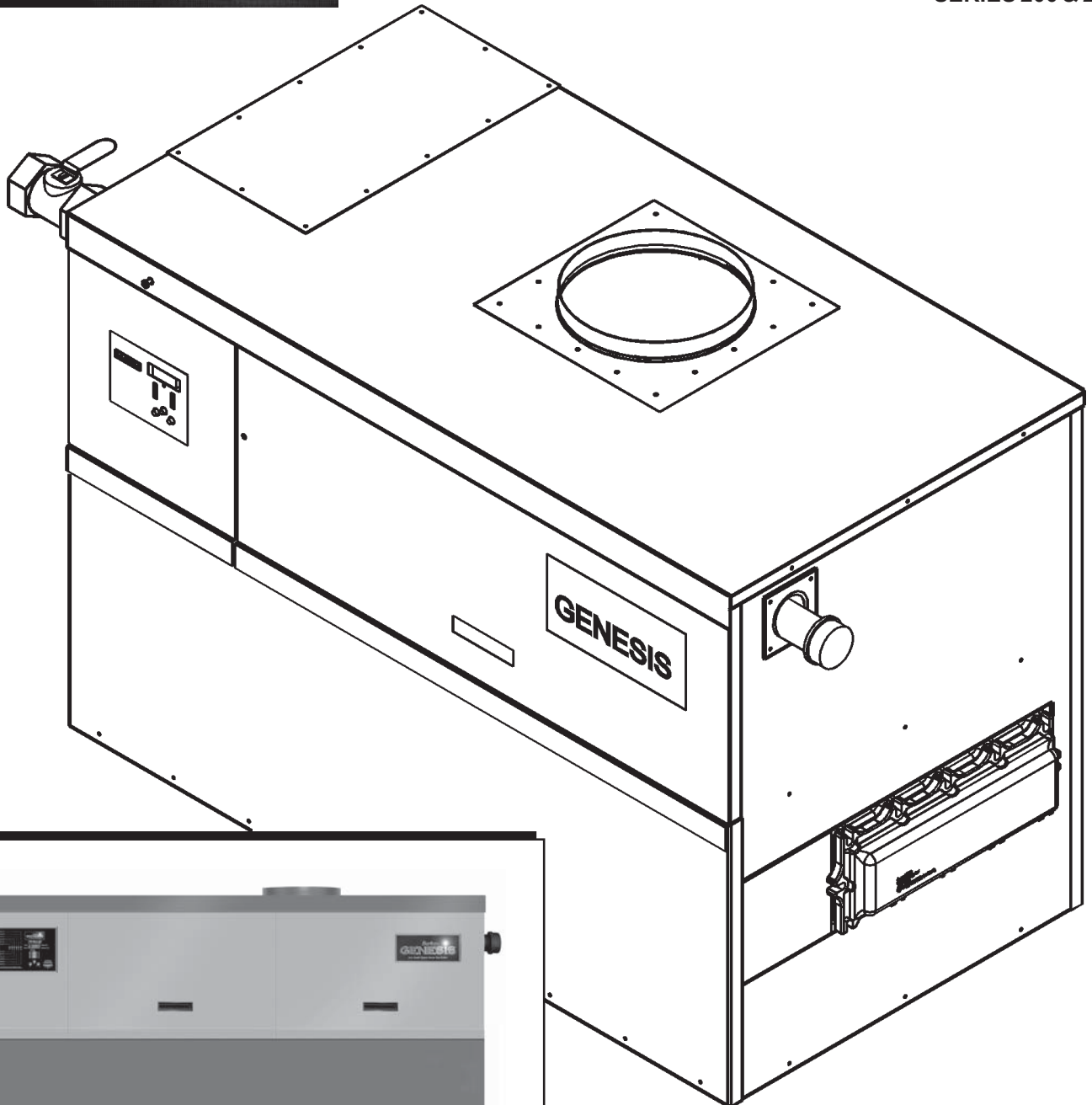
GAS-FIRED COMMERCIAL REPLACEMENT PARTS LIST

COPPER BOILERS FOR HYDRONIC
HEATING & HOT WATER SUPPLY

MODELS GB/GW: 1000, 1300,

1500, 1850, 2100, 2500

SERIES 200 & 201



A.O. SMITH WATER PRODUCTS CO., INC.

5621 W. 115TH STREET • ALSIP, ILLINOIS 60803

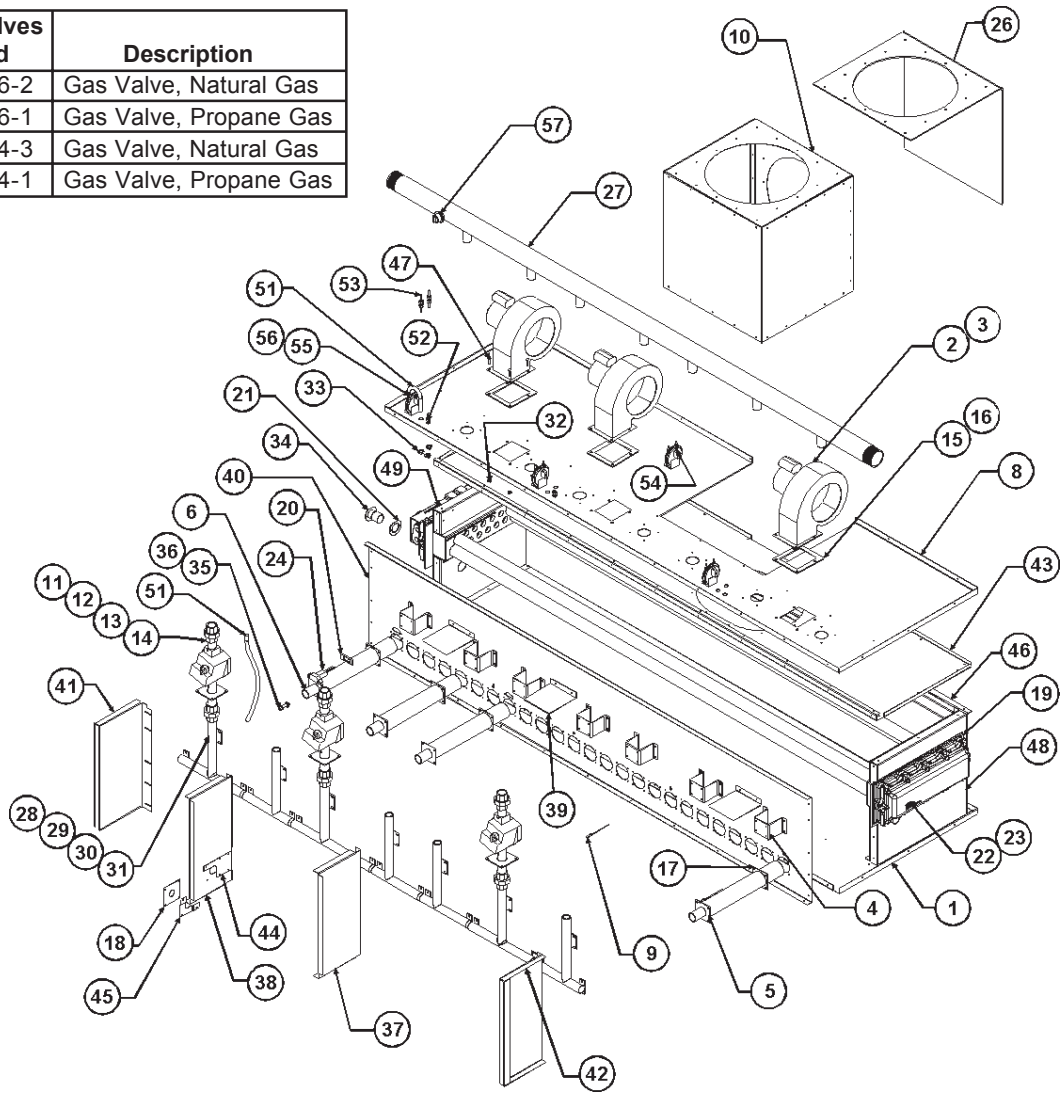
Phone: 1-800-433-2545 • Fax: 1-800-433-2515

Website: www.hotwater.com/parts

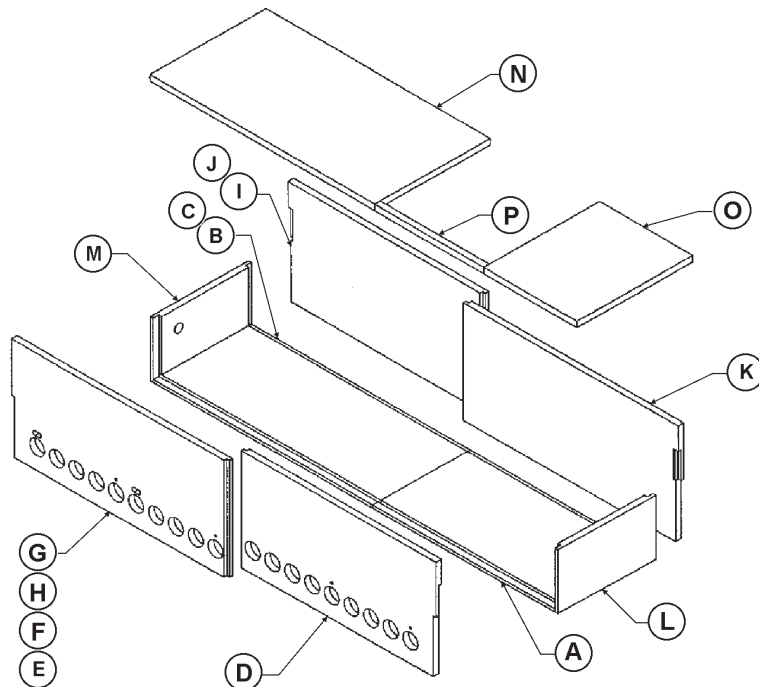
Item	Qty.	Description	GB/GW 1000	GB/GW 1300	GB/GW 1500	GB/GW 1850	GB/GW 2100	GB/GW 2500
COMBUSTION CHAMBER ASSEMBLY COMPONENTS:								
1	1	Base/Leg Ass'y	210702	210702-1	210702-2	210702-3	210702-4	210702-5
2	()	Blower Ass'y, Large	211096(1)	211096(2)	211096(2)	211096(3)	211096(3)	211096(3)
3	1	Blower Ass'y, Small	211097					
4	()	Bracket, Gas Manifold	210780(3)	210780(3)	210780(3)	210780(4)	210780(5)	210780(7)
5	()	Burner, 60mm	210757(8)	210757(11)	210757(13)	210757(16)	210757(18)	210757(22)
6	()	Burner Assembly	211306(2)	211306(2)	211306(2)	211306(3)	211306(3)	211306(3)
7	()	Clamp, Hose	211360(2)	211360(2)	211360(2)	211360(3)	211360(3)	211360(3)
8	1	Control Panel	210740	210740-1	210740-2	210740-3	210740-4	210740-5
9	()	Flame Sensor	210421(3)	210421(3)	210421(3)	210421(4)	210421(4)	210421(4)
10	1	Fluebox Ass'y	211290	211290-1	211290-1	211290-2	211290-2	211290-3
11	()	Gas Train, 3 Burner - Nat.	211082(2)	211082(1)			211082(2)	211082(4)
12	()	Gas Train, 3 Burner - Prop.	211082-1(2)	211082-1(1)			211082-1(2)	211082-1(4)
13	()	Gas Train, 4 & 5 Burner - Nat.	211081(1)	211081(2)	211081(3)	211081(4)	211081(3)	211081(3)
14	()	Gas Train, 4 & 5 Burner - Prop.	211081-1(1)	211081-1(2)	211081-1(3)	211081-1(4)	211081-1(3)	211081-1(3)
15	()	Gasket, Blower	210775(1)	210775(2)	210775(2)	210775(3)	210775(3)	210775(3)
16	1	Gasket, Blower	210776					
17	()	Gasket, Burner	210744(10)	210744(13)	210744(15)	210744(19)	210744(21)	210744(25)
18	1	Gasket, Divider Insert		211363	211363	211363	211363	211363
19	2	Gasket, Heat Exchanger	210779	210779	210779	210779	210779	210779
20	()	Gasket, Igniter	210078(1)	210078(2)	210078(2)	210078(2)	210078(2)	210078(2)
21	2	Gasket, Observation Port	211297	211297	211297	211297	211297	211297
22	1	Heat Exchgr. Ass'y (GB ONLY)	210731	210731-1	210731-2	210731-3	210731-4	210731-5
23	1	Heat Exchgr. Ass'y (GW ONLY)	210750	210750-1	210750-2	210750-3	210750-4	210750-5
24	()	Igniter	192334(1)	192334(2)	192334(2)	192334(2)	192334(2)	192334(2)
25	1	Insulation Assembly						
A	1	Insulation, Bottom Mate		210724	210724-1	210724-2	210724-3	210724-4
B	1	Insulation, Bottom Panel	210746					
C	1	Insulation, Bottom Panel		210723	210723	210723	210723	210723
D	1	Insulation, Front Mate		210722	210722-1	210722-2	210722-3	210722-4
E	1	Insulation, Front Panel	210744					
F	1	Insulation, Front Panel		210721	210721	210721		
G	1	Insulation, Front Panel					210795	
H	1	Insulation, Front Panel						210794
I	1	Insulation, Rear Mate		210726	210726-1	210726-2	210726-3	210726-4
J	1	Insulation, Rear Panel	210745					
K	1	Insulation, Rear Panel		210725	210725	210725	210725	210725
L	1	Insulation, Side Panel	210727	210727	210727	210727	210727	210727
M	1	Insulation, Side Panel	210727-1	210727-1	210727-1	210727-1	210727-1	210727-1
N	1	Insulation, Side Panel	210728-6	210728-6	210728-7	210728-9	210728-10	210728-11
O	1	Insulation, Side Panel	210728-12	210728-1	210728-5	210728-2	210728-4	210728-8
P	1	Insulation, Top Panel	210743	210743-1	210743-1	210743-2	210743-2	210743-3
26	2	Insulation, Fluebox Outer	211411	211411-1	211411-1	211411-2	211411-2	211411-3
27	1	Main Gas Manifold	210756	210756-1	210756-2	210756-3	210756-4	210756-5
28	()	Man. Ass'y., 3 Burner	210755(1)				210755(2)	210755(2)
29	()	Man. Ass'y., 3 Burner	210761	210761				210761(2)
30	()	Man. Ass'y., 4 Burner	210754(1)			210754(1)		210754(2)
31	()	Man. Ass'y., 5 Burner		210763(2)	210763(3)	210763(3)	210763(3)	210763(1)
32	()	Nut, Hex Serrated Flange	210226(8)	210226(8)	210226(8)	210226(12)	210226(12)	210226(12)
33	()	Nut, Locking	210174(6)	210174(6)	210174(6)	210174(9)	210174(9)	210174(9)
34	2	Observation Port Ass'y	98760	98760	98760	98760	98760	98760
35	()	Orifice-Natural	210758-111(10)	210758-111(13)	210758-111(15)	210758-111(19)	210758-111(21)	210758-111(25)
36	()	Orifice-Propane	210758-75(10)	210758-75(13)	210758-75(15)	210758-75(19)	210758-75(21)	210758-75(25)
37	()	Panel, Air Box Divider	210720(1)			210720(1)	210720(1)	210720(2)
38	1	Panel, Air Box Divider w/Slot		210720-1	210720-1	210720-1	210720-1	
39	()	Panel, Air Diverter	211080(2)	211080(2)	211080(2)	211080(3)	211080(3)	211080(3)
40	1	Panel, Front Combustion	210703	210703-1	210703-2	210703-3	210703-4	210703-5
41	1	Panel, Side Air Chamber	211088	211088	211088	211088	211088	211088
42	1	Panel, Side Air Chamber	211088-1	211088-1	211088-1	211088-1	211088-1	211088-1
43	1	Panel, Top Combustion	210717	210717-1	210717-2	211135	211135-1	211135-2
44	1	Plate, Divider Insert		211134	211134	211134	211134	
45	1	Plate, Insert Mate		211309	211309	211309	211309	
46	1	Rear Combustion Assem	211254	211254-1	211254-2	211254-3	211254-4	211254-5
47	()	Screw Cap	190960(8)	190960(8)	190960(8)	190960(12)	190960(12)	190960(12)
48	1	Side Panel Ass'y	210716-1	210716-1	210716-1	210716-1	210716-1	210716-1
49	1	Side Panel Ass'y	210716	210716	210716	210716	210716	210716
50	()	Silicone Tube	210209-10(4)	210209-10(4)	210209-10(4)	210209-10(6)	210209-10(6)	210209-10(6)
51	()	Silicone Tube	210209-25(3)	210209-25(3)	210209-25(3)	210209-25(4)	210209-25(4)	210209-25(4)
52	()	Strain Relief	210173(2)	210173(2)	210173(2)	210173(3)	210173(3)	210173(3)
53	()	Strain Relief Tube Ass'y	210234(4)	210234(4)	210234(4)	210234(6)	210234(6)	210234(6)
54	1	Switch, Blocked Flue	210908-2	210908-2	210908-2	210908-2	210908-2	210908-2
55	()	Switch, Differential	211094(2)	211094(2)	211094(2)	211094(3)	211094(3)	211094(3)
56	()	Switch, Differential - Prop.	211094-1(2)	211094-1(2)	211094-1(2)	211094-1(3)	211094-1(3)	211094-1(3)
57	1	Switch, Low Gas Nat/Prop	191149-1/3	191149-1/3	191149-1/3	191149-1/3	191149-1/3	191149-1/3

COMBUSTION CHAMBER ASSEMBLY COMPONENTS

Gas Train	Gas Valves Used	Description
211081	191956-2	Gas Valve, Natural Gas
211081-1	191956-1	Gas Valve, Propane Gas
211082	192454-3	Gas Valve, Natural Gas
211082-1	192454-1	Gas Valve, Propane Gas



INSULATION ASSEMBLY COMPONENTS



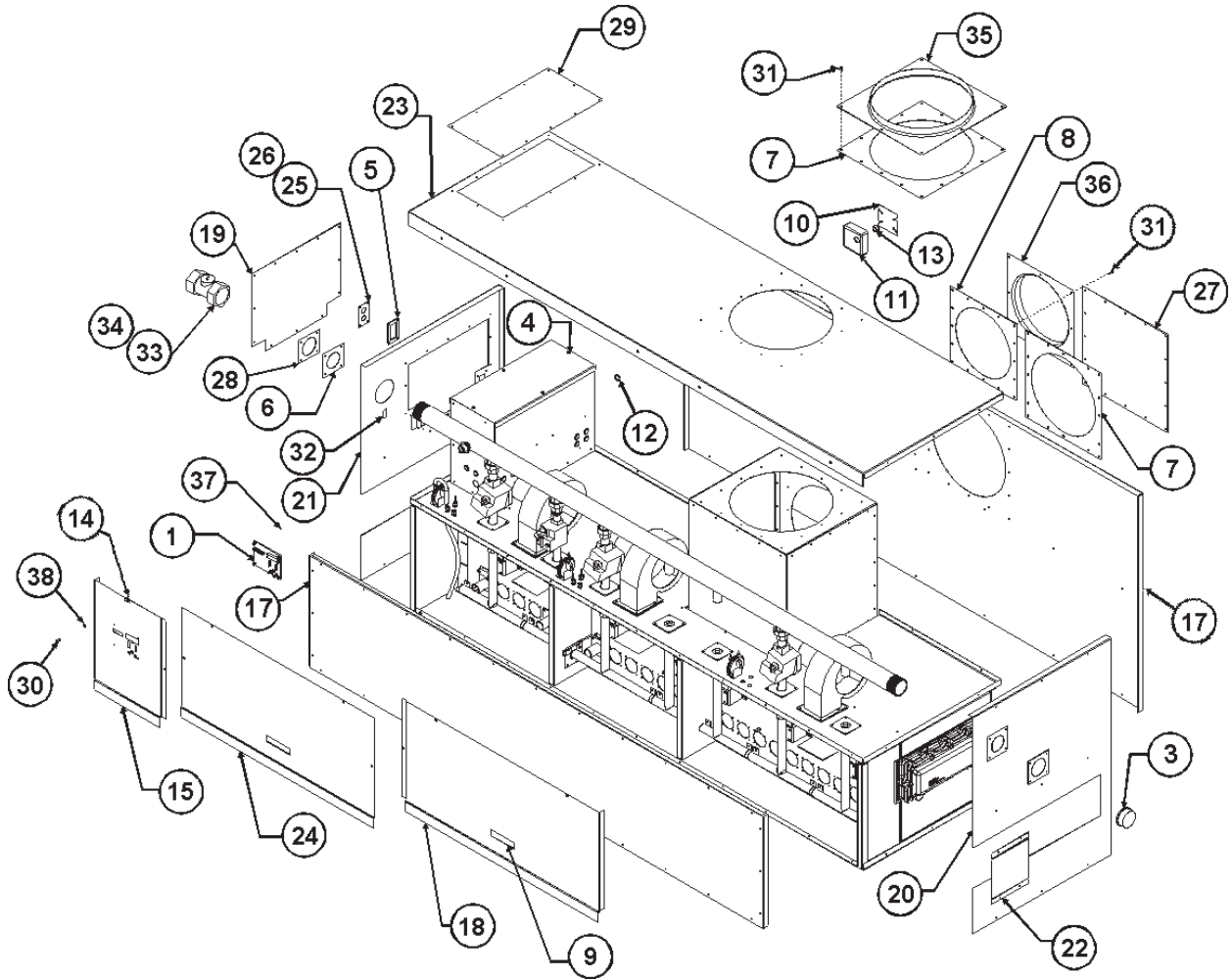
Item	Qty.	Description	GB/GW 1000	GB/GW 1300	GB/GW 1500	GB/GW 1850	GB/GW 2100	GB/GW 2500
JACKET ASSEMBLY COMPONENTS:								
1	1	Board, Display	211069	211069	211069	211069	211069	211069
2	1	Bracket, Control Box Support	211362	211362	211362	211362	211362	211362
3	1	Cap, Pipe	43762-1	43762-1	43762-1	43762-2	43762-2	43762-2
4	1	Control Box (Incl. ICBs, CCB and Wires)	211078	211078	211078	211078-2	211078-2	211078-2
5	2	Gasket, Conduit	211266	211266	211266	211266	211266	211266
6	2	Gasket, Main Gas Manifold	211045	211045	211045	211045-1	211045-1	211045-1
7	2	Gasket, Vent Adaptor	211049-1	211049-2	211049-2	211049-3	211049-3	211049-4
8	1	Gasket, Vent Adaptor (Air Inlet)	211049	211049-1	211049-1	211049-1	211049-2	211049-3
9	()	Handle, Front Panel	191802(1)	191802(1)	191802(1)	191802(2)	191802(2)	191802(2)
10	2	J-Box Cover	2233	2233	2233	2233	2233	2233
11	2	Junction Box	190438-4	190438-4	190438-4	190438-4	190438-4	190438-4
12	2	Locknut, Star	1953	1953	1953	1953	1953	1953
13	2	Nipple, Chase	41994	41994	41994	41994	41994	41994
14	()	Nut, Speed	68463(4)	68463(4)	68463(4)	68463(7)	68463(7)	68463(7)
15	1	Panel, Display Ass'y.	211071	211071	211071	211071-1	211071-1	211071-1
16	1	Panel, Front Bottom	211252	211252-1	211252-2	211252-3	211252-4	211252-5
17	1	Panel, Rear Jacket	210739	210739-1	210739-2	211137	211137-1	211137-2
18	1	Panel, Right Jack. Ass'y.	211073	211073-1	211073-2	211282	211282-1	211282-2
19	1	Panel, Side Access	210792	210792	210792	210792	210792	210792
20	1	Panel, Side Jacket	210738	210738	210738	210738-1	210738-1	210738-1
21	1	Panel, Side Jacket	210737	210737	210737	210737-1	210737-1	210737-1
22	2	Panel, Side Jacket Insert	211074	211074	211074	211074	211074	211074
23	1	Panel, Top Jacket	210733	210733-1	210733-2	210733-3	210733-4	210733-5
24	1	Panel, Mid-Jacket Ass'y.	- - -	- - -	- - -	211072	211072	211072-1
25	1	Plate, Conduit	211265	211265	211265	211265	211265	211265
26	1	Plate, Conduit - 2 Holes	211265-1	211265-1	211265-1	211265-1	211265-1	211265-1
27	1	Plate, Flue	211047	211047-1	211047-1	211047-2	211047-2	211047-3
28	2	Plate, Main Gas Manifold	211046	211046	211046	211046-1	211046-1	211046-1
29	1	Plate, Top Jacket	211142	211142	211142	211142	211142	211142
30	()	Screw, Panel	68462(4)	68462(4)	68462(4)	68462(7)	68462(7)	68462(7)
31	()	Screw, Sheet Metal	210125-1(52)	210125-1(56)	210125-1(56)	210125-1(56)	210125-1(56)	210125-1(56)
32	1	Switch, Rocker	191665-1	191665-1	191665-1	191665-1	191665-1	191665-1
33	1	Valve, Ball 2 X 2	69022-2	69022-2	69022-2	- - -	- - -	- - -
34	1	Valve, Ball 2 1/2 X 2 1/2	- - -	- - -	- - -	69022-3	69022-3	69022-3
35	1	Vent Adaptor - Exhaust	210783-1	210783-2	210783-2	210783-3	210783-3	210783-4
36	1	Vent Adaptor - Air Inlet	210783	210783-1	210783-1	210783-1	210783-2	210783-2
37	4	Washer, Locknut	210207	210207	210207	210207	210207	210207
38	()	Washer, Retaining (SPL)	68338(4)	68338(4)	68338(4)	68338(7)	68338(7)	68338(7)

Item	Qty.	Description	GB 1000, 1300	GB 1500	GB 1850, 2100	GB 2500	GW 1000 - 1500	GW 1850	GW 2100, 2500
------	------	-------------	------------------	------------	------------------	------------	-------------------	------------	------------------

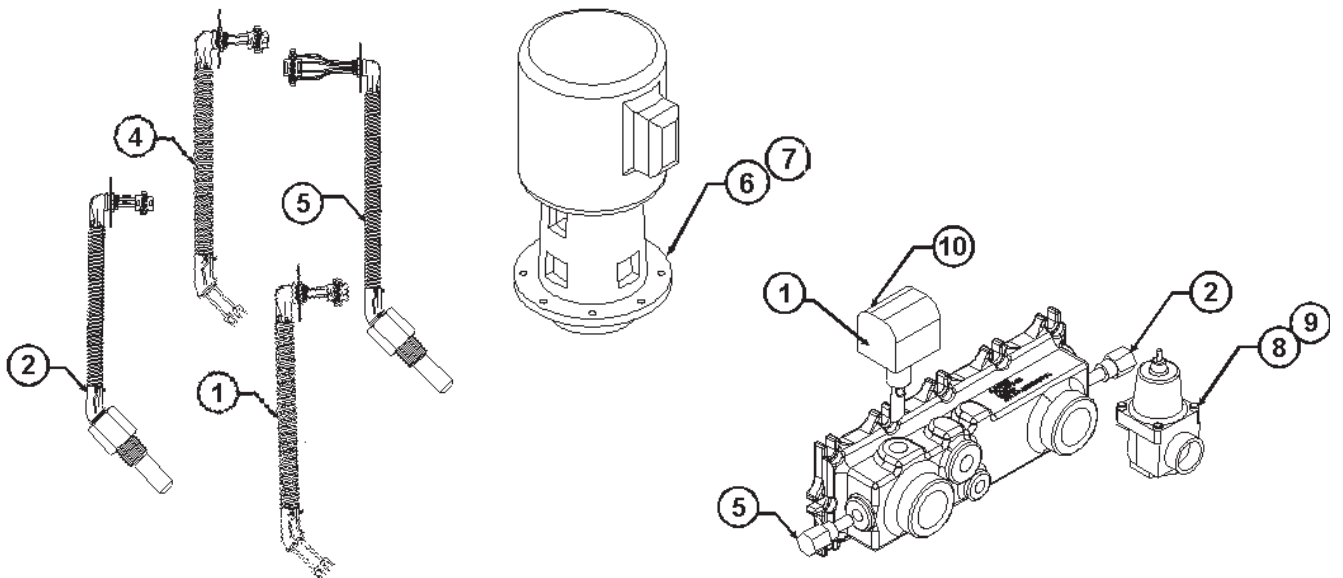
WATER HEATER CONNECTIONS:									
1	1	Flow Switch Conduit Ass'y.	211156	211156	211156	211156	211156	211156	211156
2	1	Inlet Temp Conduit Ass'y.	210180-1	210180-1	210180-1	210180-1	210180-1	210180-1	210180-1
*3	1	Low Water Cutoff	210376	210376	210376	210376	210376	210376	210376
4	1	Low Water Cutoff Conduit Ass'y.	211118	211118	211118	211118	211118	211118	211118
5	1	Outlet Conduit Ass'y.	210181-1	210181-1	210181-1	210181-1	210181-1	210181-1	210181-1
6	1	Pump - 1/2 HP Volute	- - -	- - -	- - -	- - -	211324	- - -	- - -
7	1	Pump - 1 HP Volute	- - -	- - -	- - -	- - -	- - -	211251	211251
8	1	Relief Valve-125 psi	- - -	- - -	- - -	- - -	98883-3	98883-3	98883-7
9	1	Relief Valve-50 psi	210451-1	210451-2	210451-2	210451-3	- - -	- - -	- - -
10	1	Switch - Flow	210176	210176	210176	210176	210176	210176	210176
*11	1	Tank Probe	- - -	- - -	- - -	- - -	210211-1	210211-1	210211-1

Note: () Item quantity. * Items not illustrated.

JACKET ASSEMBLY COMPONENTS

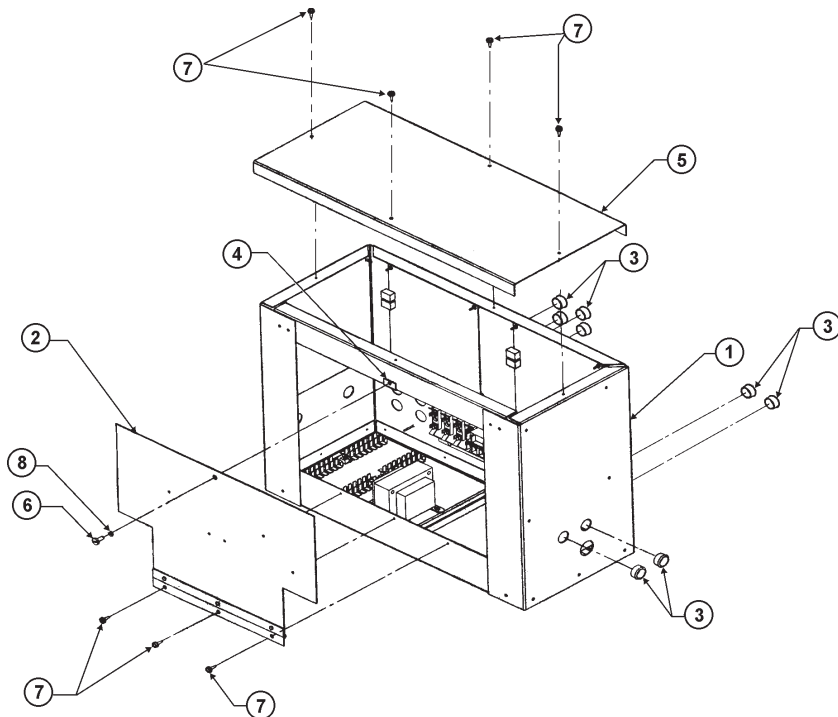


WATER HEATER CONNECTIONS

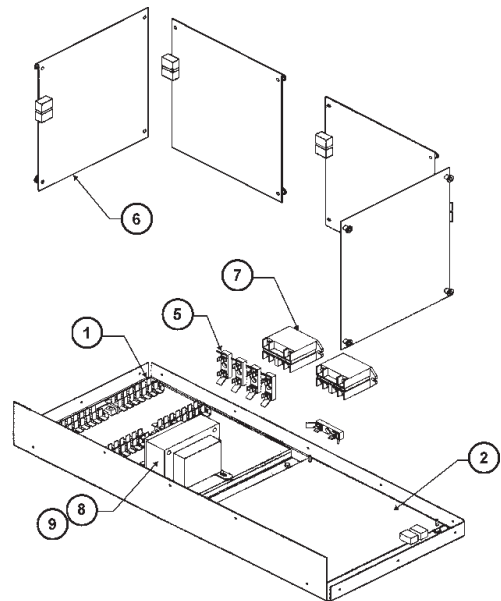


Item	Qty.	Description	3/4 STAGE STANDARD	Item	Qty.	Description	3 STAGE MODELS	4 STAGE MODELS
CONTROL BOX ASSEMBLY:				CONTROL BOX INTERIOR COMPONENTS:				
1	1	Assembly, Control Box	211132	1	4	Block Terminal	191656	191656
2	1	Assembly, Front Panel	211141	2	1	CCB Circuit Board	210748	210748
3	6	Bushing, Snap	98863	*3	()	Fuse, 10 Amp (ICB Boards)	211267-1(3)	211267-1(4)
4	1	Nut, Speed	68463	*4	1	Fuse, 20 Amp (Pump)	211267-0	211267-0
5	1	Panel, Control Box Top	211109	5	()	Fuse Block	191843-4(4)	191843-4(5)
6	1	Screw, Panel	68462	6	()	ICB Circuit Board	210749(3)	210749(4)
7	7	Screw, Sheet Metal	210125	7	1	Relay, SPST 120 VAC	211326	211326
8	1	Washer, Retaining (SPL)	68338	8	1	Transformer, 100 VAC	210449	- - -
				9	1	Transformer, 150 VAC	- - -	211477

CONTROL BOX ASSEMBLY

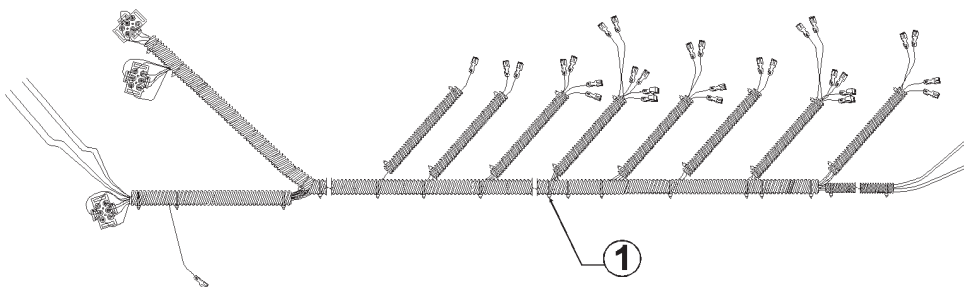


CONTROL BOX INTERIOR COMPONENTS



Item	Qty.	Description	GB/GW 1000	GB/GW 1300	GB/GW 1500	GB/GW 1850	GB/GW 2100	GB/GW 2500
1	1	Harness, Contol Panel	211380	211377	211375	211381	211387	211388

CONTROL PANEL WIRE HARNESS ASSEMBLY



Item Qty. Description

3
STAGE
MODELS

4
STAGE
MODELS

Item Qty. Description

Part
Number

IGNITION CONTROL BOARD - WIRE ASSEMBLIES:

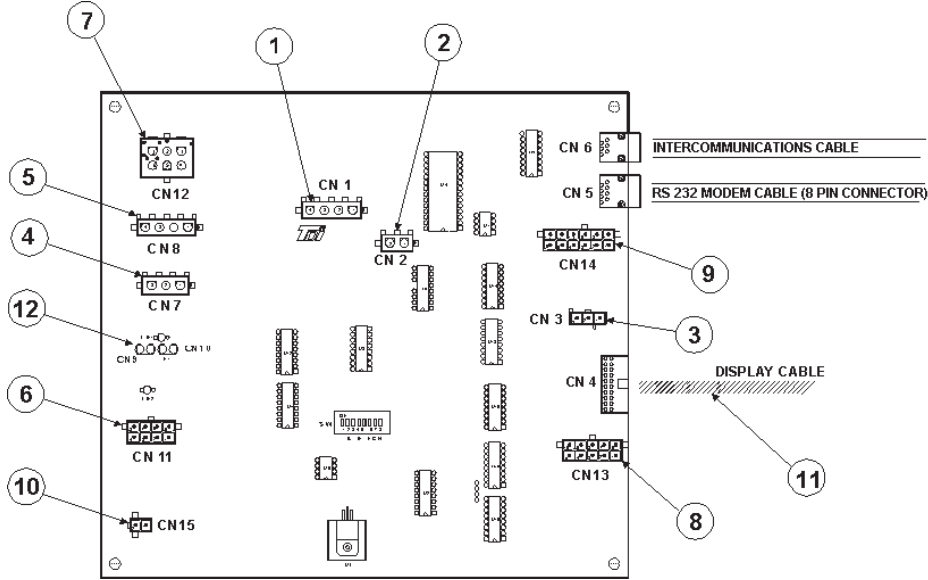
1	...	3	...	CN 01 Harness Assembly	211369	211269
2	...	1	...	CN 01 Harness Assembly (Stage 4)	211062-4	211062-4
3	...	3	...	CN 04 Harness Assembly	211368	-----
4	...	1	...	CN 04 Harness Assembly (Stage 4)	211063-3	211063-3
5	...	()	...	CN 13 Harness Assembly	211102(3)	211102(4)
6	...	()	...	Fuse (3 Amp)	210205(3)	210205(4)
7	...	()	...	Gas Valve Fail Conduit Assembly	211219(3)	211219(4)
8	...	()	...	ICB 120 VAC Outlet Harness	211099(3)	211099(4)
9	...	()	...	Intercommunication Cable	211054(3)	211054(4)
10	...	()	...	PC Board Jumper	211209(TBA)	211209(TBA)

CENTRAL CONTROL BOARD - WIRE ASSEMBLIES:

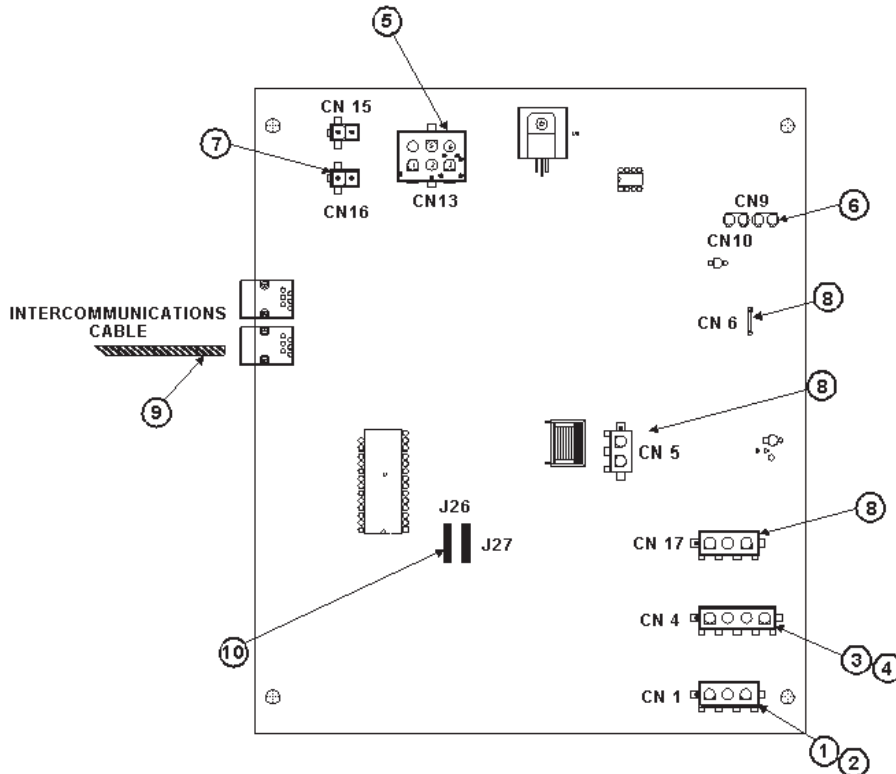
1	1	CN 01 Harness Assembly	211050
2	1	CN 02 Harness Assembly	211051
3	1	CN 03 Harness Assembly	211052
4	1	CN 07 Harness Assembly	211055
5	1	CN 08 Harness Assembly	211056
6	1	CN 11 Harness Assembly	211057
7	1	CN 12 Harness Assembly	211058-1
8	1	CN 13 Harness Assembly	211059
9	1	CN 14 Harness Assembly	211060
10	1	CN 15 Harness Assembly	211061
11	1	Display Cable	211268
12	1	Fuse (5 Amp)	210205-1

NOTE: Quantities shown are per unit.

CENTRAL CONTROL BOARD - WIRE ASSEMBLIES



IGNITION CONTROL BOARD - WIRE ASSEMBLIES





A.O. SMITH
WATER PRODUCTS
COMPANY
PSD / Alsip, IL

A.O. SMITH WATER PRODUCTS CO., INC.
5621 W. 115TH STREET • ALSIP, ILLINOIS 60803
Phone: 1-800-433-2545 • Fax: 1-800-433-2515
Website: www.hotwater.com/parts