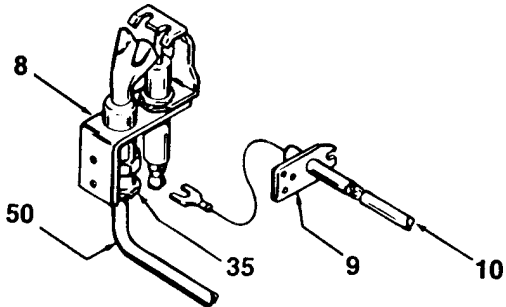


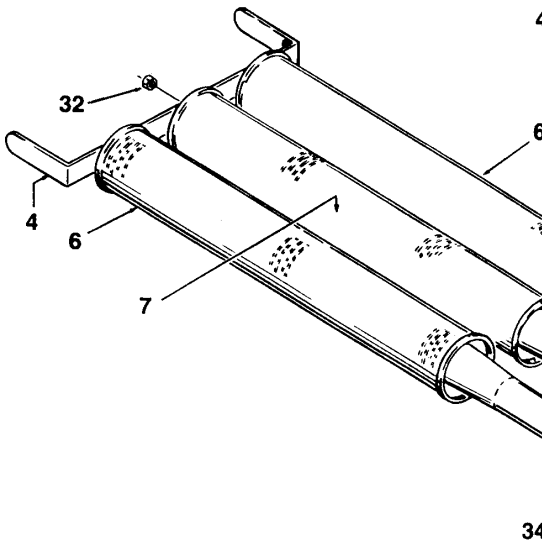


**STANDING PILOT MODELS
SERIES 890, 891, 940 & 941**

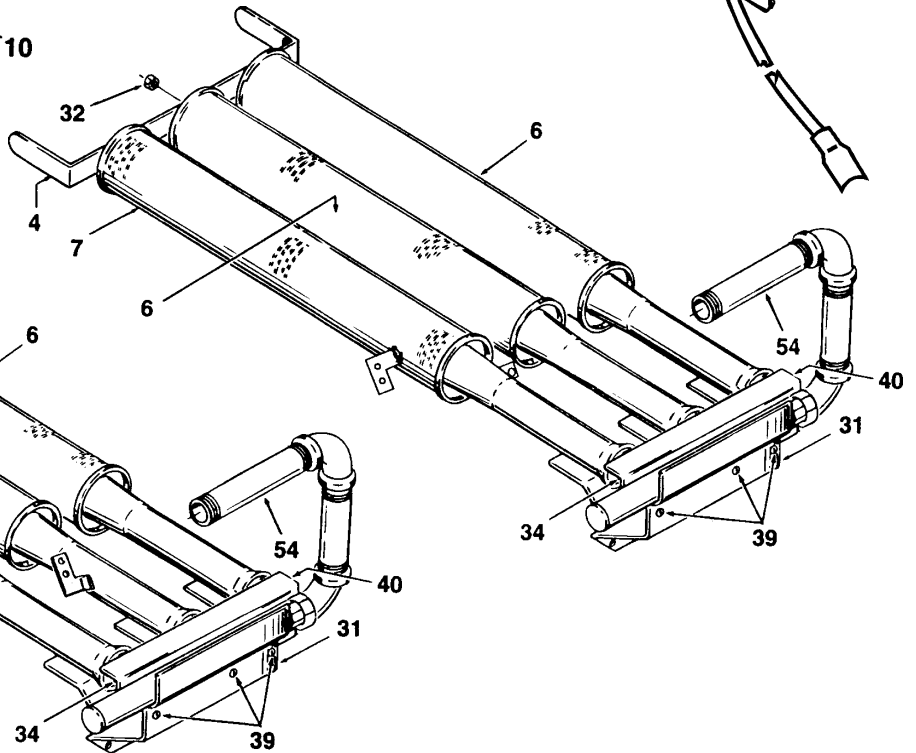
**I.I.D. MODELS
SERIES 892, 893, 932, 933, 894 & 895**



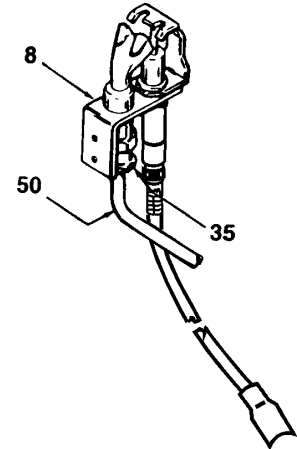
**MAIN BURNER & MANIFOLD
(STANDING PILOT MODELS)**



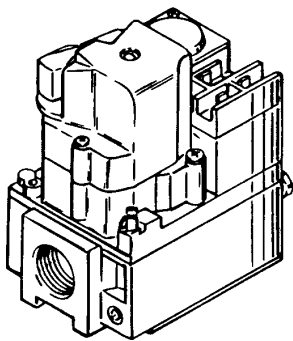
**MAIN BURNER & MANIFOLD
(I.I.D. MODELS)**



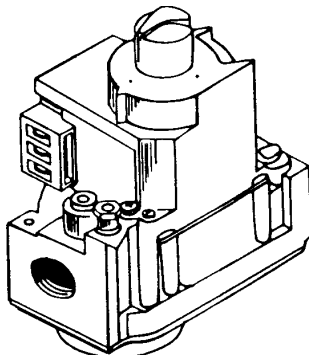
**I.I.D. MODELS
SERIES 942 & 943
REPLACEMENT FOR 78192**



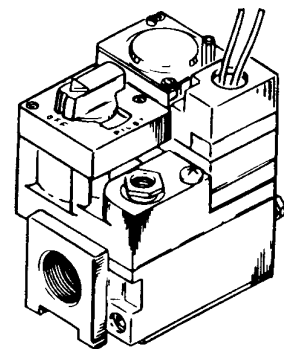
Item 51: Gas Control Valve



Series 892/893/894/895



Series 932/933/942/943



Series 890/891/940/941

*Not illustrated.

+When ordering wire, indicate length required in inches. (Example: 86578-100 equals 100" length).

Part numbers underlined are recommended stock items for emergency replacement. (Consider gas used in your area only).

Request parts from Water Products Company by giving all information such as model, series number, type of gas, & specifications.

Parts list PSD-3-594/E supersedes parts list PSD-3-594.

Item	Parts Description	HW 120M	HW 160M	HW 200M	HW 225M
1	Base, Assembly	97981-702	97981-702	97981-702	97981-702
2	Box, Junction	93558	93558	93558	93558
3	Bracket, Control	95452-12	95452-12	95452-12	95452-14
4	Bracket, Main Burner Support (Rear)	78882	78882	78882	78882
5	Bracket, Skirt Support	97963	97963	97963	97963
6	Burner, Main	78382	78382	78382	78382
7	Burner, Main - With Pilot Bracket:				
	Series 890 & 891, 940 & 941	170613	170613	170613	170613
	Series 892 & 893, 932 & 933,				
	894 & 895, 942 & 943	170613-1	170613-1	170613-1	170613-1
8	Burner, Pilot - With Orifice:				
	Natural Gas:				
	Series 890, 940	170510	170510	170510	170510
	Series 892, 894 & 932	78192	78192	78192	78192
	Series 942	210871-2	210871-2	210871-2	210871-2
	Propane Gas:				
	Series 891, 941	170510-1	170510-1	170510-1	----
	Series 893, 895 & 933	78192-1	78192-1	78192-1	----
	Series 943	210871-3	210871-3	210871-3	----
9	Bus Bar	170547	170547	170547	170547
10	Cable Assembly -				
	Series 892, 893, 894, 895,				
	932 & 933	170559-3	170559-3	170559-3	170559-3
11	Catch, Door	28666	28666	28666	28666
12	*Channel, Plastic	99260	99260	99260	99260
13	Clip, Retainer	99263	99263	99263	99263
14	Coil, Combustion Chamber	97272	97272	97273	97273
15	Collector, Flue				
	Series 890, 891, 892, 893, 932 & 933	191392	191392	191392	191392-1
	Series 894, 895, 940, 941, 942 & 943	191392-2	191392-3	191392-4	191392-5
16	Control, Coil Limit (Protector Switch)	77981	77981	77981	77981
17	Control, Automatic Gas Shutoff	93661-4	93661-4	93661-4	93661-4
18	Control, Intermittent Ignition:				
	Natural Gas -				
	Series 892, 932, 894 & 942	191182	191182	191182	191182
	Propane Gas -				
	Series 893, 933, 895 & 943	191182-1	191182-1	191182-1	----
19	Cover, Coil Limit (Protector Switch)	96667-702	96667-702	96667-702	96667-702
20	Cover, Junction Box	2233	2233	2233	2233
21	Cover, Top	96231-703	96231-703	96231-703	95115-704
22	*Decals:				
	ASHRAE	160659	160659	160659	160659
	Delime	76770	76770	76770	76770
	Coil Limit	97315	97315	97315	97315
	Instruction	97968	97968	97968	97968
	Lighting & Operating:				
	Series 890 & 891, 940 & 941	190195	190195	190195	190195
	Series 892 & 893, 894 & 895	190193	190193	190193	190193
	Series 932 & 933, 942 & 943	192012	192012	192012	192012
	Pressure Data	170872-2	170872-2	170872-3	170872-3
	Relief Valve	190050	190050	190050	190050
	Water Inlet	94518	94518	94518	94518
	Water Outlet	94519	94519	94519	94519
	Wiring Diagram:				
	Series 890 & 891, 940 & 941	190838	190838	190838	190838
	Series 892, 894	191410	191410	191410	191410
	Series 893, 895	191411	191411	191411	----
	Series 932, 942	192013	192013	192013	192013
	Series 933, 943	192014	192014	192014	192014
23	Door	95093-710	95093-710	95093-710	95093-710
24	Exchanger, Heat	190964	190964	190964	190964
24a	Glass Yarn - 4 reg'd	68831-4	68831-4	68831-4	68831-4
24b	Glass Yarn - 4 reg'd	68831-3	68831-3	68831-3	68831-3
25	Grommet	96053	96053	96053	96053
26	Hood, Draft	191455-1	95157-703	95157-703	95157-707

Item	Parts Description	HW 120M	HW 160M	HW 200M	HW 225M
27	Insulation, Blanket	190175-7	190175-7	190175-7	190175-6
28	Insulator	32779-1	32779-1	32779-1	32779-1
29	Jacket, Outer	191378-700	191378-700	191378-700	191378-701
30	Knob, Door	89410	89410	89410	89410
31	Manifold:				
	Series 890 thru 943	192339	192339	192339	192339
32	Nut, Burner	160360	160360	160360	160360
33	Nut, Tie Rod	85138	85138	85138	85138
34	Orifice, Main Burner:				
	Natural Gas	78790-32	78790-29	78790-23	78790-20
	Propane Gas	78790-49	78790-45	78790-42	----
35	Orifice, Pilot Burner:				
	Natural Gas:				
	Series 890, 940	6294	6294	6294	6294
	Series 892, 932, 894 & 942	6210	6210	6210	6210
	Propane Gas:				
	Series 891, 941	6295	6295	6295	----
	Series 893, 933, 895 & 943	6211	6211	6211	----
36	Ring, Base	97965-700	97965-700	97965-700	97965-700
37	Ring, Support	96553	96553	96553	96553
38	Rod, Tie	94453-1	94453-1	94453-2	94453-2
39	Screw, Manifold	85116-1	85116-1	85116-1	85116-1
40	Shield, Burner	170237	170237	170237	170237
41	Shield, Floor	38049	38049	38049	38049
42	Shield, Radiation	192344	192344-1	192344	192344
43	Skirt, Assembly	96585-1	96585-1	96585	96585
44	Strike, Door	28639	28639	28639	28639
45	Tape, Non-Asbestos	95072-1	95072-1	95072-1	95072-1
46	Thermal Balancer	---	---	98190	98190
47	Thermocouple	32536-7	32536-7	32536-7	32536-7
48	Transformer - w/Junction Box Cover:				
	Series 892 & 893, 932 & 933, 894 & 895, 942 & 943	98733-1	98733-1	98733-1	98733-1
49	Tube, Fiberglass	68831	68831	68831	68831
50	Tubing, 1/4" x 60" w/Assorted Fittings (User to cut to required length)	1417-60	1417-60	1417-60	1417-60
51	Valve, Gas Control:				
	Natural Gas:				
	Series 890, 940	4992	4992	4992	4992
	Series 892, 894	78190-4	78190-4	78190-4	78190-4
	Series 932, 942	192015-0	192015-0	192015-0	192015-0
	Propane Gas:				
	Series 891, 941	4993	4993	4993	---
	Series 893, 895	78190-6	78190-6	78190-6	---
	Series 933, 943	192015-1	192015-1	192015-1	---
52	Wire, Limit Control (Two Required)				
	Series 890 & 891 Only	96664	96664	96664	96664
53	*+Wire (See Illustration For Terminals-OrderAs Required.)				
	Two Wire Conductor (Thermo Plastic)	97102	97102	97102	97102
	18 AWG Stranded, 105°C				
	Black	78231	78231	78231	78231
	White	78230	78230	78230	78230
	22 AWG Stranded, 250°C				
	Tan	78166	78166	78166	78166
	18 AWG Stranded, 200°C				
	White with Tan	78223	78223	78223	78223
	14 AWG Stranded, 105°C				
	Green	41972	41972	41972	41972
54	Standard hardware items to be purchased locally.				



A.O. SMITH
WATER PRODUCTS
COMPANY
 PSD / Alsip, IL

A.O. SMITH WATER PRODUCTS CO., INC.
 5621 W. 115TH STREET • ALSIP, ILLINOIS 60803
 PHONE: 1-800-433-2545 • FAX: 1-800-433-2515
 Website: WWW.HOTWATER.COM • EMAIL: PARTS@HOTWATER.COM