

A.O. SMITH

PSD-3-587/C

GAS

WATER PRODUCTS COMPANY

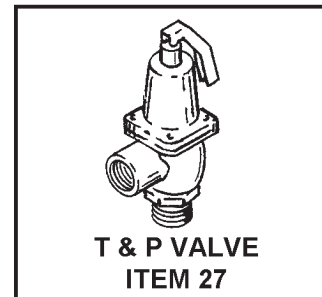
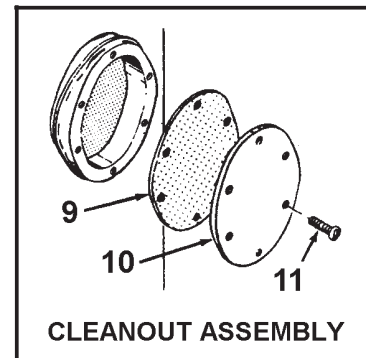
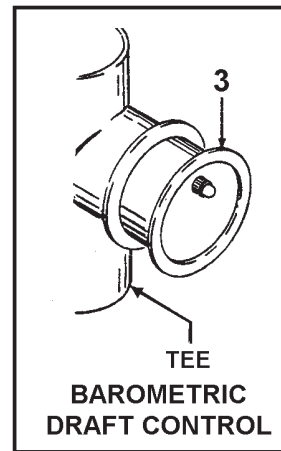
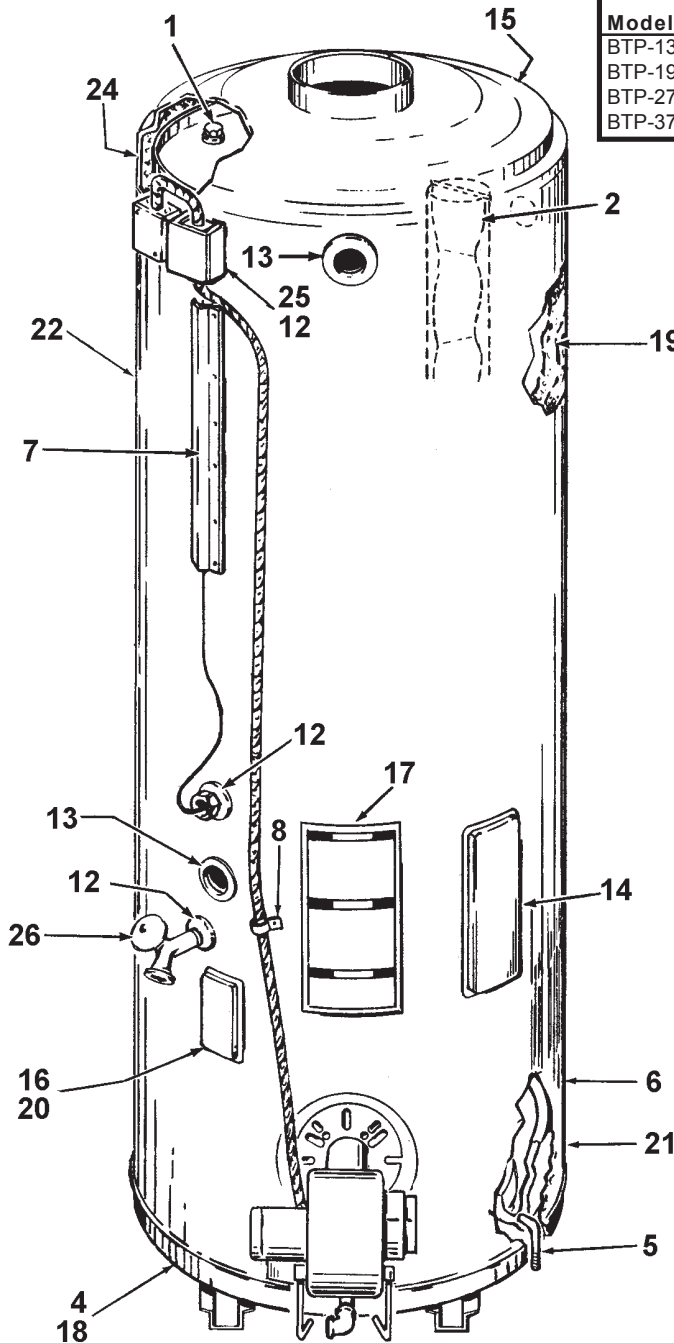
COMMERCIAL TANK TYPE WATER HEATER REPLACEMENT PARTS LIST

MODELS BTP-139, 199, 270 AND 370 SERIES 880 AND 881 STANDARD AND ASME (A)

SEE PAGES 3, 4 AND 5 FOR BURNER ILLUSTRATIONS AND PARTS LIST

MAIN BURNER ORIFICE CHART (ITEM 22)

Models	Burner Number	Natural Gas		Propane Gas	
		Part No.	(Decimal)	Part No.	(Decimal)
BTP-139/A	DS-22 & 24	6331-221	0.221	6331-173	0.173
BTP-199/A	DS-22 & 24	6331-265	0.265	6331-205	0.205
BTP-270/A	DS-40 & 44	6347-328	0.328	6347-193	0.193
BTP-370/A	DS-40 & 44	6347-375	0.375	6347-288	0.228



A.O. SMITH WATER PRODUCTS CO., INC.

5621 W. 115TH STREET • ALSIP, ILLINOIS 60803

PHONE: 1-800-433-2545 • FAX: 1-800-433-2515

Website: www.hotwater.com/parts • EMAIL: parts@hotwater.com

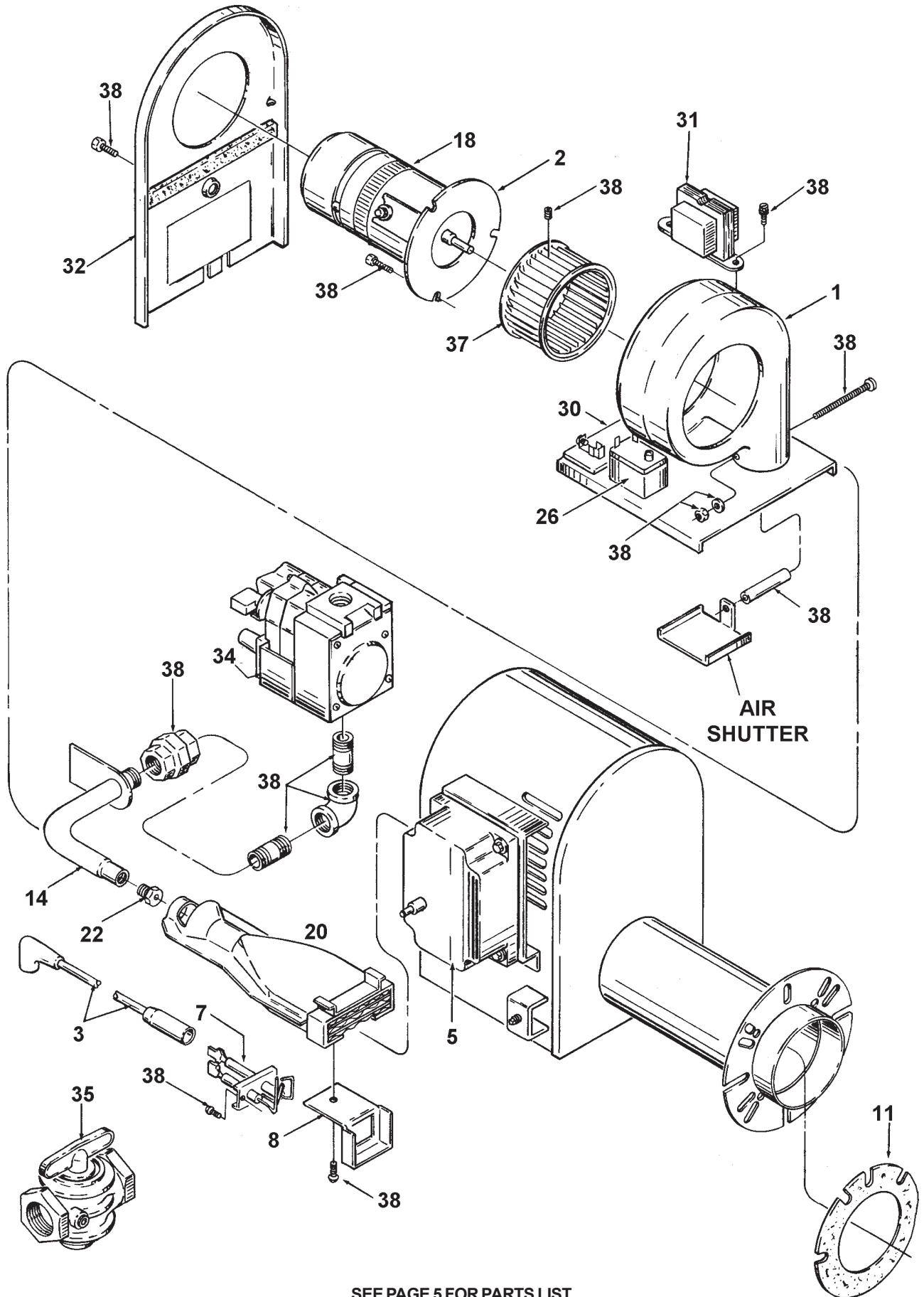
Item Description	BTP-139/A	BTP-199/A	BTP-270/A	BTP-370/A
1 Anode	29109-12(2)	29109-12(2)	29109-12(2)	29109-12(3)
2 Baffle, Flue	39616-13(6)	39616-13(6)	10074-1(6)	39616-13(12)
3 Barometric Draft Control w Tee Assy.	170777	170777	170777-1	170777-1
4 Jacket Base with Skids	76242-500	76242-500	76242-500	76242-500
5 Bolt, Base	41431(4)	41431(4)	41431(4)	41431(4)
6 Chamber, Combustion	76508-1	76508-1	76508-1	76508-1
7 Channel, Wire	95312-3	95312-3	95312-3	95312-3
8 Clamp	94694	94694	94694	94694
Cleanout Assembly:				
9 Gasket	<u>99038</u>	<u>99038</u>	<u>99038</u>	<u>99038</u>
10 Pressure Plate	<u>99037</u>	<u>99037</u>	<u>99037</u>	<u>99037</u>
11 Screw, Self Tapping (Req'd)	<u>69852-1</u>	<u>69852-1</u>	<u>69852-1</u>	<u>69852-1</u>
12 Collar, Pipe	20172-6(2)	20172-6(2)	20172-6(2)	20172-6(2)
13 Collar, Pipe	95030-2(2)	95030-2(2)	95030-2(2)	95030-2(2)
14 Cover, Cleanout Opening	38255-700	38255-700	38255-700	38255-700
15 Jacket, Top	97062-505	97062-505	97062-504	97062-504
16 Cover, Observation	29316-706	29316-706	29316-706	29316-706
17 *Decals:				
ASHRAE	160659	160659	160659	160659
ASME	68065	68065	68065	68065
California	42985	42985	42985	42985
Caution (Electric)	98299	98299	98299	98299
Cleanout	97444	97444	97444	97444(2)
Clearance	190105	190105	190105	190786
Gas Pressure:				
Natural	190005	190005	190005	190005
Propane	190005-1	190005-1	190005-1	190005-1
Hot	41355	41355	41355	41355
Installer	170013	170013	170013	170013
Instruction	78662	78662	78662	78662
Lighting and Operation Label	190191	190191	190191	190191
Lime Tamer	78640	78640	78640	78640
N. Carolina	43117	43117	43117	43117
Plate-Press, Data	77995	77995	77995	77995
Relief Valve	191068	191068	191068	191068
Warning	41142	41142	41142	41142
Water Inlet	94518	94518	94518	94518
Water Outlet	94519	94519	94519	94519
Wiring	160039	160039	160039	160039
800-HELP Line	190600	190600	190600	190600
18 Gasket, Skirt Ring	76443	76443	76443	76443
19 Insulation	41560-51	41560-51	41560-51	41560-51
20 Insulation, Foil Faced	41175-1	41175-1	41175-1	41175-1
21 Jacket	78749-10	78749-10	78749-10	78749-12
22 Jacket, ASME	78749	78749	78749-11	78749-12
23 *Plug, Observation	41377-1	41377-1	41377-1	41377-1
24 Tape, Sealer	6158	6158	6158	6158
25 Thermostat with ECO	<u>170336</u>	<u>170336</u>	<u>170336</u>	<u>170336</u>
26 Valve, Drain	26273-6	26273-6	26273-6	26273-6
27 Valve, T & P	99465-4	99465-4	191617	191617
28 *Wire:				
AWG Stranded, 105°C, AWM & TEW				
Black	86578	86578	86578	86578
Red	86579	86579	86579	86579
White	86580	86580	86580	86580
Yellow	98199	98199	98199	98199
18 AWG Stranded, 105°C, AWM & TEW				
Red	41976	41976	41976	41976

*Items not illustrated. () Reflects quantities.

Part numbers underlined are recommended stock items for emergency replacement. (Consider gas used in your area only).

Requests from PSD by giving all information such as model and series number, type of gas and specifications.

POWER BURNER DS-22 AND DS-24 MODELS BTP-139/A AND 199/A



SEE PAGE 5 FOR PARTS LIST

Item Description	DS-22	DS-24	DS-40	DS-44
1 Blower Shelf & Housing Assy. (Includes Items 2, 18, 26, 30, 31 & 37).....	6320-2	6320-2	-----	-----
2 Bracket, Motor Mounting	6319	6319	-----	-----
3 Cable, Hi Voltage	6307	6307	6307	6307
4 *Cable, Input w/Plug Harness	6335	6335	6335	6335
5 Control, Spark Ignition	6306	6306	6306	6306-3
6 Elbow, Orifice	-----	-----	6349	6349
7 Electrode Assy. (Not Including Bracket)	6323	6323	6323	6323
8 Bracket, Electrode Mounting	6324	6324	6324-1	6324-1
9 Gasket, Electrode Mounting	-----	-----	6325	6325
10 Flange, Mounting-BTP-139/A thru BTP-370/A	10058	10058	10058	10058
11 Gasket, Flange	10060	10060	10060	10060
12 Gasket, Orifice Holder Sealing	-----	-----	6313	6313
13 *Harness, Test (Fenwal Control Only)	6315	6315	6315	6315
14 Holder, Main Orifice	6312-1	6312-1	6312	6312
15 Housing, Blower & Tube	-----	-----	6320	6320
16 Leg, Support	6350	6350	6350	6350
17 *Motor Assy. (Includes Items 18, 24 & 27)	-----	-----	6311	6311
18 Motor	6300	6300	6300-1	6300-1
19 *Mounts, 3 Rubber Motor w/Clips	6316-1	6316-1	6316	6316
20 Nozzle, Burner w/Ribbon	6318	6318	-----	-----
21 Orifice, Extension, Main	-----	-----	6345	6345
22 Orifice, Main	-----	SEE ORIFICE CHART	-----	-----
23 Plate, Back & Venturi Assy.	-----	-----	6334-1	6334-1
24 Plate, Side	-----	-----	6301-1	6301
25 *Ring, Motor Mounting	-----	-----	6342	6342
26 Relay, Motor Switching	6305	6305	6305	6305
27 Shutter, Air External	-----	-----	6337-2	6337-2
28 *Sleeve, Nozzle 4"	6317	6317	6317	6317
29 Switch, Blower Interlock (w/Bracket)	-----	-----	6338	6338
Switch, Blower Interlock (Only)	-----	-----	6340	6340
30 Terminal Strip	6339	6339	6339	6339
31 Transformer	6304	6304	6304-1	6304-1
32 Tube Assy. (Door, Housing & Tube).....	6346	6346	-----	-----
33 Tube, Conduit Motor (w/Hardware)	-----	-----	6343	6343
34 Valve, Gas w/Regulator Model BTP-139/A thru 370/A:				
Natural Gas	6355	6355	6356	6356
Popane	6355	6355	6356-1	6356-1
35 Valve, Manual Shut/Off	1087-3	1087-3	1181-3	1181-3
36 *Valve, Pilot Solenoid	6328	6328	6328	6328
37 Wheel, Blower (Included on BTP-270/A & 370/A	6302	6302	6302-1	6302-1
*Disc, Centrifugal Operator	-----	-----	6303	6303
38 Standard Hardware Items May Be Purchased Locally.				

* Not Illustrated.

Quantities. If more than one, shown in parenthesis next to part number.

When ordering wire, indicate length required in inches. (Example: 86578-100 equals: 100 " length).

Part numbers underlined are recommended stock items for emergency replacement.

Request parts from Product Service Division giving all information such as model and series number.

Parts list PSD-3-587/b supersedes PSD-3-587/a.



REPLACEMENT PARTS

A.O. SMITH WATER PRODUCTS CO., INC.
5621 W. 115TH STREET • ALSIP, ILLINOIS 60803
PHONE: 1-800-433-2545 • FAX: 1-800-433-2515
Website: www.hotwater.com/parts • EMAIL: parts@hotwater.com