

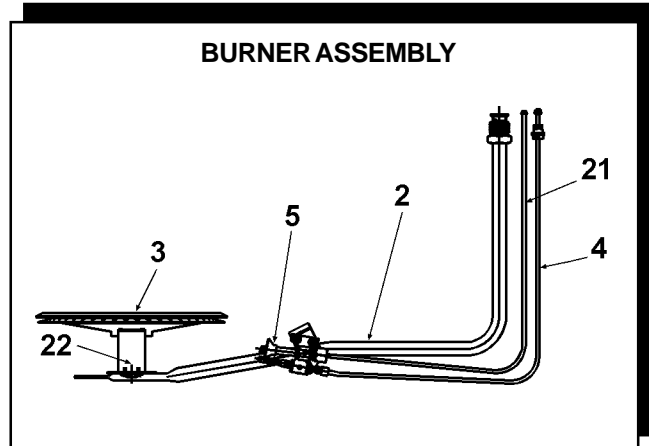
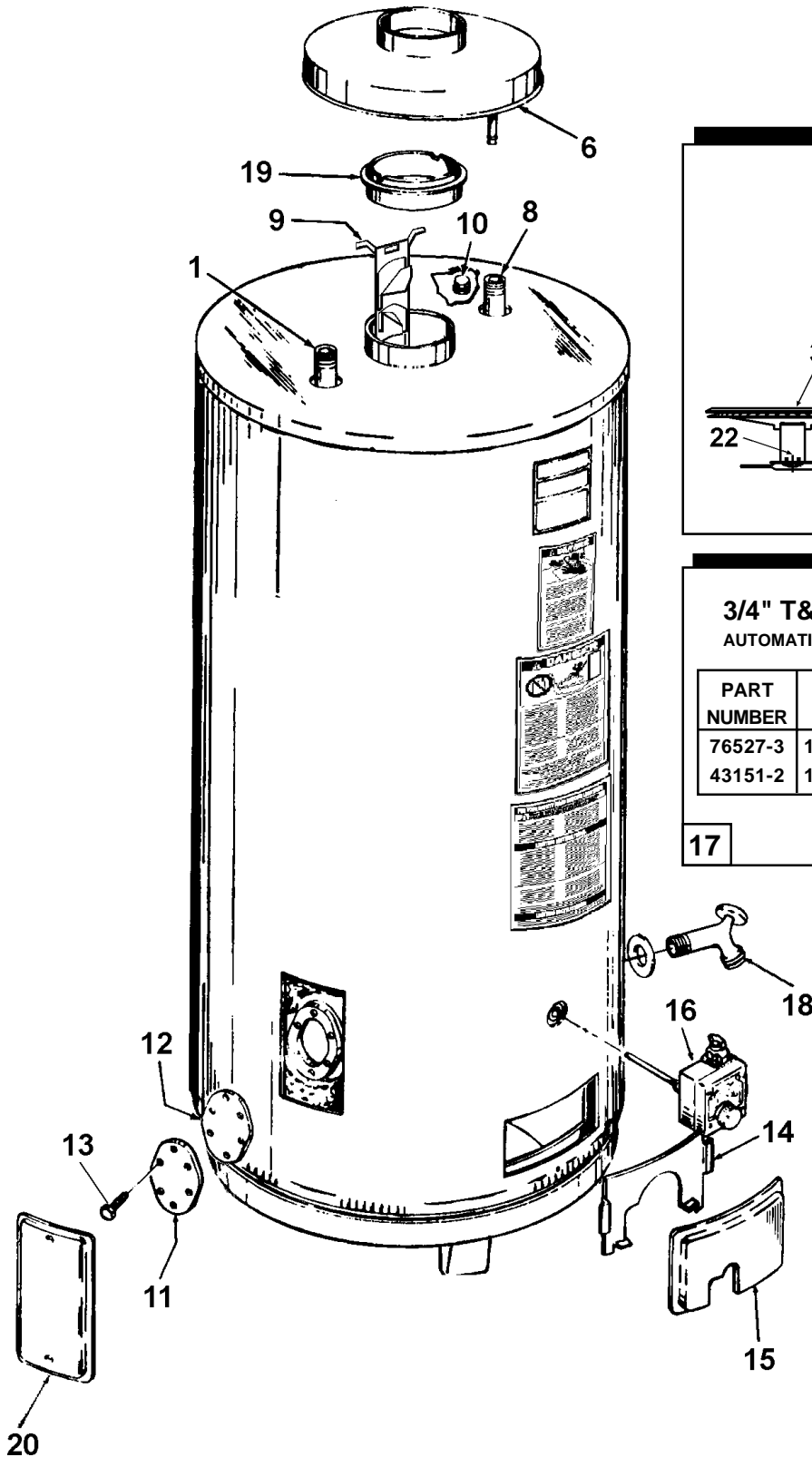
# A.O. SMITH

## WATER PRODUCTS COMPANY

PSD-3-549  
**GAS**

### RESIDENTIAL WATER HEATERS REPLACEMENT PARTS LIST

MODELS: FCG/PCG 75 - 100 &  
CGX/PCGX/SGX/PSGX-75  
SERIES 270



**3/4" T&P RELIEF VALVE**  
AUTOMATIC, SELF-CLOSING TYPES

PART NUMBER	PRESS.	A =	TEMP RELIEF
76527-3	150 LBS.	2.13"	210°F
43151-2	150 LBS.	1.88"	210°F

17

### A.O. SMITH WATER PRODUCTS COMPANY

5621 W. 115TH STREET • ALSIP, ILLINOIS 60803

PHONE: 1-800-433-2545 • FAX: 1-800-433-2515

Website: [www.hotwater.com](http://www.hotwater.com) • E-mail: [parts@hotwater.com](mailto:parts@hotwater.com)

**FCG/PCG/ CGX/  
PCGX/SGX/PSGX-75**

**FCG/PCG-100**

Item	Qty.	Description	Natural	Natural
1	1	Pipe Nipple .....	194139-1 .....	194135-1
2	1	Burner Tube .....	194561-1 .....	194561-1
3	1	Burner Head .....	194549 .....	194549
4	1	Thermocouple .....	194621 .....	194621
5	1	Pilot .....	<u>194550-2</u> .....	<u>194550-2</u>
* 6	1	Draft Hood .....	39072-4 .....	39072-4
7	3	Draft Hood Brace .....	194309 .....	194309
8	1	Inlet Tube .....	194891 .....	194891-1
9	4	Flue Baffle Assembly .....	196172 .....	196172
10	1	Anode Rod .....	183523-36 .....	183523-48
11	1	Cleanout Cover (optional) .....	99037 .....	99037
12	1	Cleanout Gasket (optional) .....	99038 .....	99038
13	1	Cleanout Screw (optional) .....	69852-1 .....	69852-1
14	1	Inner Door .....	39923 .....	39923
15	1	Outer Door .....	39112-1 .....	39112-1
16	1	Thermostat .....	<u>182791-3</u> .....	<u>182791-1</u>
17	1	T & P Relief Valve .....	43151-2 .....	76527-3
18	1	Drain Valve .....	26273-6 .....	26273-7
19	1	Flue Reducer .....	N/A .....	35405
20	1	Front Cover (optional) .....	181260 .....	181260
21	1	Pilot Tube .....	<u>1417-60</u> .....	<u>1417-60</u>
* 22	1	Orifice .....	181508-21 .....	181508-21
* 23	1	Fitting Breakaway .....	32365 .....	32365
24	1	Manual .....	196223 .....	196223

\* Not Illustrated

Part numbers underlined are recommended stock items for emergency replacement.  
(Consider gas used in your area only).



**A.O. SMITH**  
**WATER PRODUCTS**  
**COMPANY**

**A.O. SMITH WATER PRODUCTS COMPANY**  
5621 W. 115TH STREET • ALSIP, ILLINOIS 60803  
PHONE: 1-800-433-2545 • FAX: 1-800-433-2515  
Website: [www.hotwater.com](http://www.hotwater.com) • EMAIL: [parts@hotwater.com](mailto:parts@hotwater.com)