

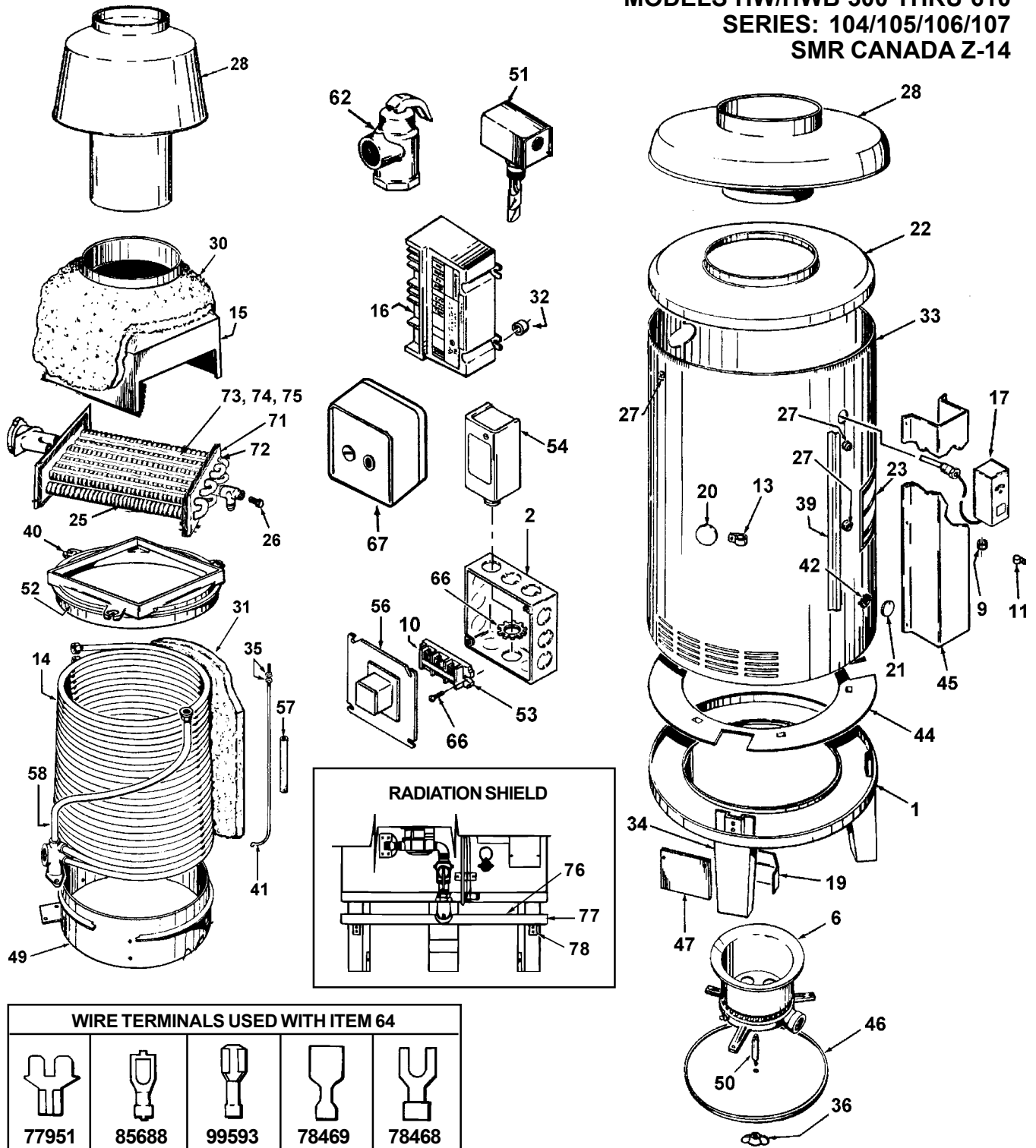
# A. O. SMITH

## WATER PRODUCTS COMPANY

# GAS

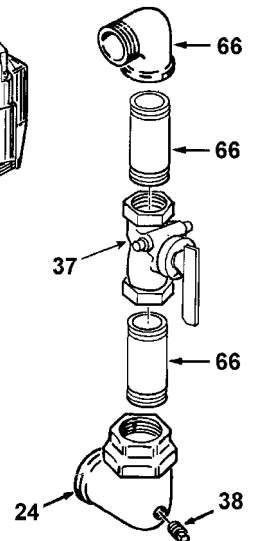
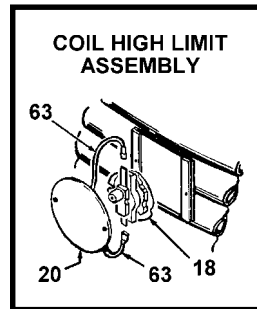
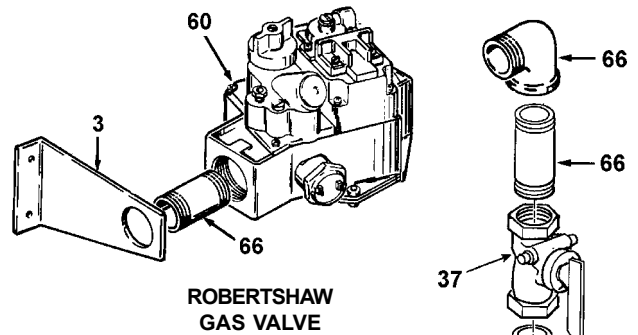
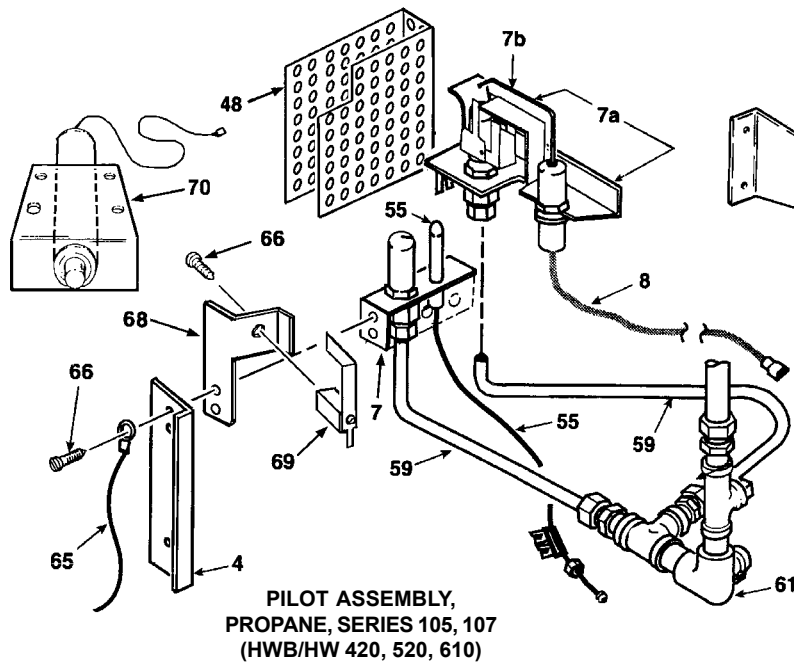
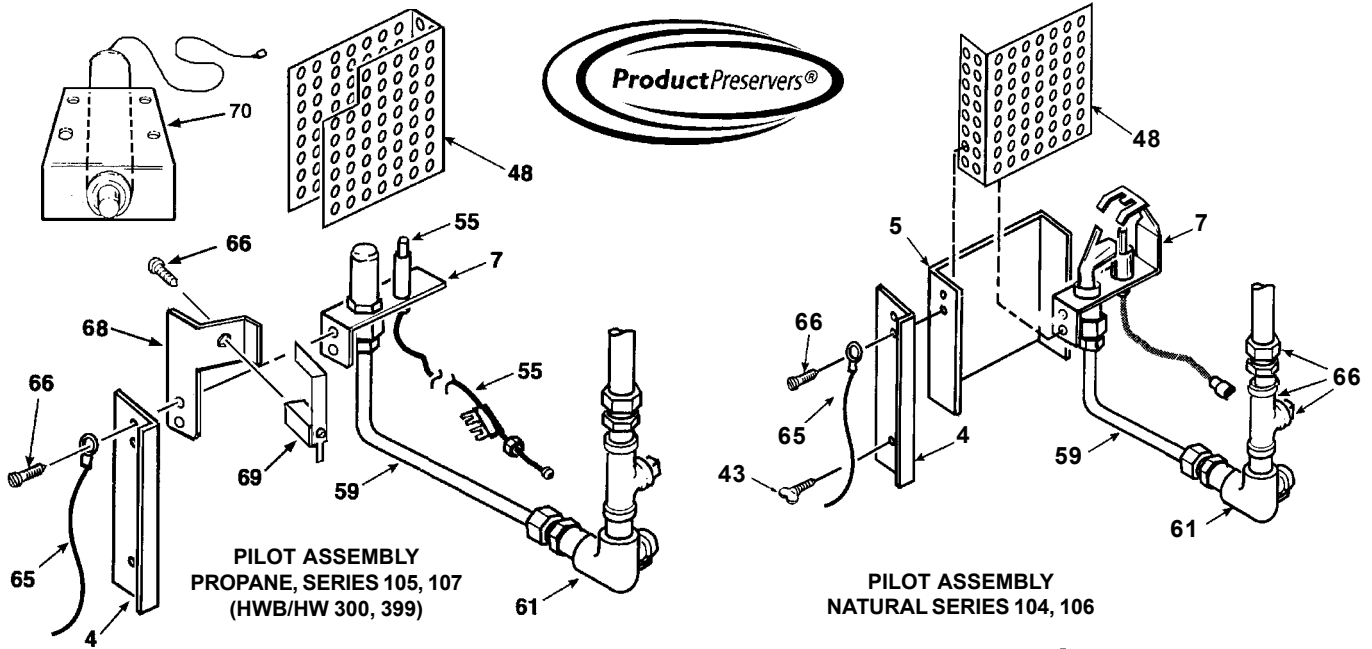
### COMMERCIAL WATER HEATER REPLACEMENT PARTS LIST

MODELS HW/HWB 300 THRU 610  
SERIES: 104/105/106/107  
SMR CANADA Z-14



WIRE TERMINALS USED WITH ITEM 64				
77951	85688	99593	78469	78468

**A.O. SMITH WATER PRODUCTS CO., INC.**  
5621 W. 115TH STREET • ALSIP, ILLINOIS 60803  
Phone: 1-800-433-2545 • Fax: 1-800-433-2515  
website: [www@hotwater.com](http://www@hotwater.com)



Item	Description	HWB/HW 300	HWB/HW 399/420	HWB/HW 520	HWB/HW 610
1	Base, Assembly	76195-700	76193-700	76193-700	76193-700
2	Box, Junction	190616-5	190616-5	190616-5	190616-5
3	Bracket, Gas Control String	93764	93764	93764	93764
4	Bracket, Pilot (at main gas burner) - Series 104, 106	190424	190424	190424	190424
5	Bracket, Shield - Series 104, 106	190424-3	190424-3	190424-3	190424-3
6	Burner, Main:				
	Natural Gas, Altitude 0 - 2000 Ft.	98593-20	98593-2	98593-21	98593-4
	† Natural Gas, Altitude 2 - 4500 Ft.	98593-39	98593-41	98593-43	98593-45
	Propane Gas, Altitude 0 - 2000 Ft.	98593-1	98593-3	98593-22	98593-47
	† Propane Gas, Altitude 2 - 4500 Ft.	98593-40	98593-42	98593-44	98593-46
7	Burner, Pilot (With Orifice):				
	Natural Gas - Series 104, 106	210871	210871	210871	210871
	Propane Gas - Series 105, 107	2587-4	2587-4	2587-4	2587-4
7a	Safety Pilot, Series 105, 107		95651(-420)	95651	95651
7b	Rod, Flame w/Insulator, Series 105, 107		6066(-420)	6066	6066
8	Cable Assembly - Series 105, 107	78214-5	78214-5	78214-5	78214-5
9	Bushing, Snap	98863	98863	98863	98863
10	Cap, Terminal End	98206	98206	98206	98206

† High altitude burners for SMR Z-14.

Item	Description	HWB/HW 300	HWB/HW 399/420	HWB/HW 520	HWB/HW 610
11	Clamp, Capillary Tube	94998	94998	94998	94998
12	Clamp, Tubing	68903	68903	68903	68903
13	Clip, Retainer	92979	92979	92979	92979
14	Coil, Combustion Chamber	97485	97486	99267	99267
15	Collector, Flue:				
	Series 104, 106	190285-10	212037/212037-1	212035	190286-1
	Series 105, 107	190285-10	212037/212037-1	212035	190286
16	Control, Intermittent Ignition:				
	Natural Gas	191182-2	191182-2	191182-2	191182-2
17	Control, Limit	93661-4	93661-4	93661-4	93661-4
18	Control, Limit (Protector Switch)	77981-2	77981-2	77981-2	77981-2
19	Cover, Leg	97259-701	97259-701	97259-701	97259-701
20	Cover, Limit Control (Protector Switch)	96667-706	96667-706	96667-706	96667-706
21	Cover, Peep Hole	1050-702	1050-702	1050-702	1050-702
22	Cover, Top	96096-709	96096-701	96378-702	96378-701
23	*Decals:				
	Lighting & Operating Labels:				
	English - Series 104, 106	211686	211686	211686	211686
	French - Series 104, 106	211687	211687	211687	211687
	English - Series 105, 107	211688	211688	211688	211688
	French - Series 105, 107	211689	211689	211689	211689
	Pilot - Series 104, 106	77860	77860	77860	77860
	Warning	190230	190230	190230	190230
	Water Inlet	161040	161040	161040	161040
	Water Outlet	161040-1	161040-1	161040-1	161040-1
	Relief Valve	161040-2	161040-2	161040-2	161040-2
	Wiring Diagram - Series 104, 106	219006	219006	219006	219006
	Wiring Diagram - Series 105, 107	219005	219005(-399)	-	-
	Wiring Diagram - Series 105, 107	-	219001(-420)	219001	219001
	Protector	191027	191027	191027	191027
	Gasoline	200086	200086	200086	200086
	Delime	190295	190295	190295	190295
	Scald	219009	219009	219009	219009
	Pilot Ignitor - Series 105, 107	191033	191033	191033	191033
	Ignitor Instructions - Series 105, 107	191036	191036	191036	191036
	Label - Vent	200369	200369	200369	200369
24	Elbow, Union With 1/8" Pressure Tap	1854	2482	86506	86506
25	Exchanger, Heat	190922	190913	190889	190889
26	Fitting, Limit Control	97570	97570	97570	97570
27	Grommet	96053	96053	96053	96053
28	Hood, Draft:				
	Series 104, 106	190479-700	98428-707/98428-704	98428-704	98428-8
	Series 105, 107	190479-700	98428-707/98428-704	98428-704	98428
30	Insulation, Blanket	212042-2	212042-3	212042-4	212042-5
31	Insulation, Pyrofelt	212043	212044	212044	212044
32	Insulator	32779-1	32779-1	32779-1	32779-1
33	Jacket	190430-101 or	190431-101 or	190432-100 or	190432-100 or
	Natural Gas Models	211176	211177	211178	211178
	Propane Gas Models	211176	211177-1	211178-1	211178-1
34	Leg	96383-711	96383-701	96383-701	96383-701
35	Nut, Tie Rod	85138	85138	85138	85138
36	Nut, Wing	-	1995-1	1995-1	1995-1
37	Valve, Manual Shutoff	3423-5	3423-4	3423-3	3423-3
38	Plug, Pipe 1/8" Pressure Tap	3348	3348	3348	3348
39	Retainer, Door	190429	190429	190429	190429
40	Ring, Support	95359	85405	85405	85405
41	Rod, Tie (3 Required)	-	94453-11	94453-3	94453-3
	Rod, Tie (2 Required)	94453-6	-	-	-
	Rod, Tie (1 Required)	94453-2	-	-	-
42	Screen, Peep Hole	1051	1051	1051	1051
43	Screw, Thumb	97288	97288	97288	97288
44	Shield, Base Radiation	96015	96015	96015	96015
45	Shield, Door	191119	191119	191119	191119
46	Shield, Floor	-	96025	96025	96025
47	Shield, Leg	97265	97265	97265	97265
48	Shield, Pilot - Series 104, 106	170247	170247	170247	170247
	Shield, Pilot - Series 105, 107	191486	191486	191486	191486
49	Skirt Assembly	97260	97261	97262	97262
50	Stud, Floor Shield	-	96384	96384	96384
51	Switch, Safety Flow (Required but not supplied with unit)	211480	211480	211480	211480
52	Tape, Asbestos Free (Used with Item 40)	95072	95072-1	95072-1	95072-1
53	Terminal, Segment (6 Required)	98205	98205	98205	98205

Item	Description	HWB/HW 300	HWB/HW 399/420	HWB/HW 520	HWB/HW 610
54	Thermal Balancer	98190	98190	98190	98190
55	Thermocouple	32536-8	32536-8	32536-8	32536-8
56	Transformer	69170-10	69170-10	69170-10	69170-10
57	Tube, Asbestos Free	68831	68831	68831	68831
58	Tube, By-Pass	96162-1	94451-3	97463	97463
59	Tubing, 1/4" x 60" Wire Assorted Fittings (User to cut to required length)	1417-60	1417-60	1417-60	1417-60
60	Valve, Gas Control:				
	Natural Gas	78450	78450-4/78450	78450	78450
	Propane Gas	76468-7	76468-8/76468-7	76468-7	76468-7
61	Valve, Pilot	200683	200683	200683	200683
62	Valve, Relief - Models HWB 50 psi	210451	210451-1	210451-1	210451-1
	Valve, Relief - Models HW	98883-3	98883-3	98883-3	98883-3
63	Wire, 200°C Tan with Terminals	6226	6226	6226	6226
64	*Wire, (See illustration for terminals. Order as required.):				
	16 AWG Stranded, 105°C, AWM & TEW				
	Black	86578	86578	86578	86578
	Red	86579	86579	86579	86579
	White	86580	86580	86580	86580
	18 AWG Stranded, 200°C				
	Tan	78223	78223	78223	78223
65	Wire, Ground, 250°C	170889-69	170889-69	170889-69	170889-69
66	Standard hardware items to be purchased locally.				
67	Relay, Flame Safeguard RA890, HWB/HW-420, 520, 610 - Series 105, 107		95652-1	95652-1	95652-1
68	Bracket, Electrode	77744	77744	77744	77744
69	Electrode Assembly	69905-2	69905-2	69905-2	69905-2
70	Igniter	69905-1	69905-1	69905-1	69905-1
71	Glass Yarn (4 Required)	68831-2	68831-3	68831-3	68831-3
72	Glass Yarn (4 Required)	68831-5	68831-4	68831-6	68831-6
73	Baffle (5) (location inside tubes)	211931			
74	Baffle-V (2) (location outside tubes)	192263			
75	Baffle-V (7)		192263-2	192263-2	
76	Shield Radiation	211822			
77	Shield Radiation Base	211824			
78	Base Leg	211827			

\*Items not illustrated. † High altitude burners for SMR Z-14.

When ordering wire, indicate length required in inches. (Example: 86578-100 equals 100" length).

Part numbers underlined are recommended stock items for emergency replacement. (Consider gas used in your area only).

Request parts from Product Service Division by giving all information such as model and series number, type of gas and specifications.



**A. O. SMITH**  
**WATER PRODUCTS**  
**COMPANY**  
 PSD / Alsip, IL

**A. O. SMITH WATER PRODUCTS CO., INC.**  
 5621 W. 115TH STREET • ALSIP, ILLINOIS 60803  
 Phone: 1-800-433-2545 • Fax: 1-800-433-2515  
 website: [www@hotwater.com](http://www@hotwater.com)