

A. O. SMITH

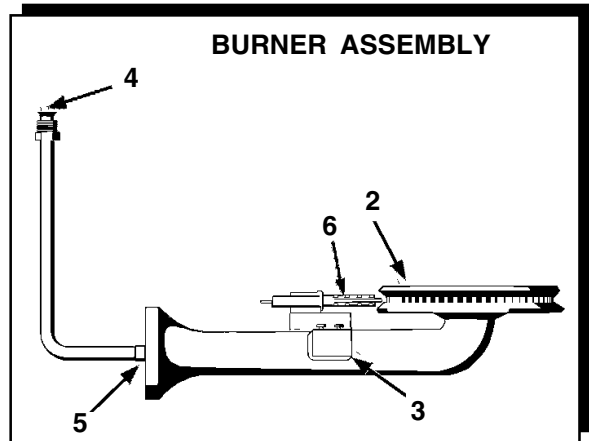
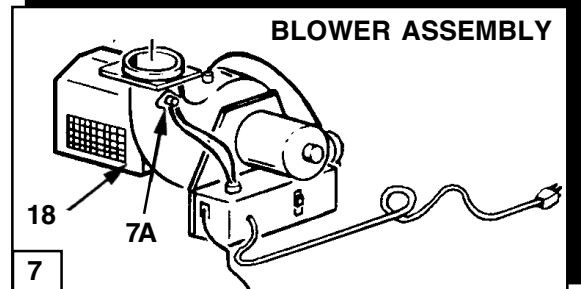
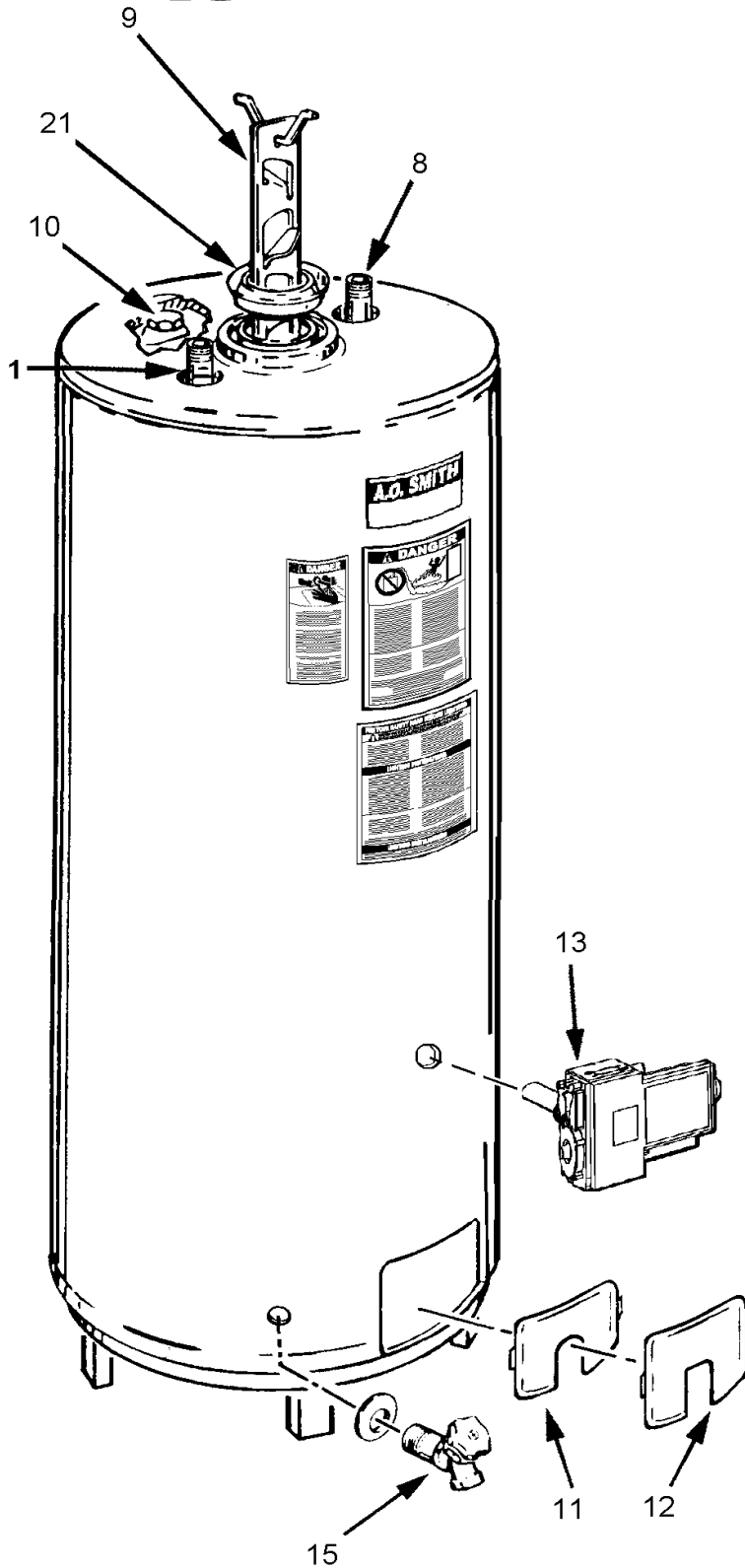
WATER PRODUCTS COMPANY

PSD-3-436

GAS

COMMERCIAL WATER HEATERS REPLACEMENT PARTS LIST

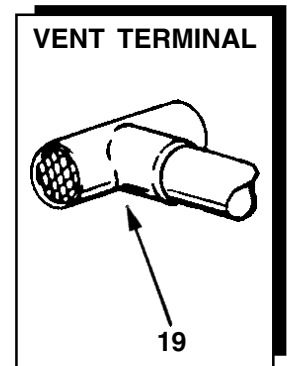
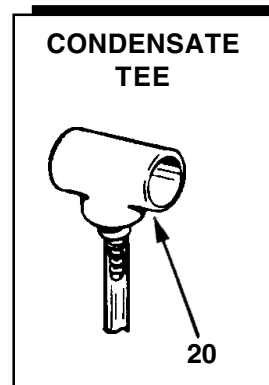
MODELS BTF SERIES 100 - 101
FPSE 75 SERIES 250 - 251



3/4" T&P RELIEF VALVE

AUTOMATIC, SELF-CLOSING TYPES

PART NUMBER	PRESS	A =	TEMP RELIEF
23740-1	150 LBS.	1 7/8"	210°



A.O. SMITH WATER PRODUCTS CO., INC.
5621 W. 115TH STREET • ALSIP, ILLINOIS 60803
PHONE: 1-800-433-2545
FAX: 1-800-433-2515 • www.hotwater.com

Item	Qty.	Description	BTF & FPSE 75	
			Natural	Propane
1	1	Pipe Nipple	43879-1	43879-1
2	1	Cast Iron Burner	41157-5	41157-5
3	1	Ignitor Bracket	194204	194204
4	1	Burner Tube	39114-5	181784-3
5	1	Orifice	29336-21	181510-39
6	1	Igniter/Flame Sensor	<u>194057</u>	<u>194057</u>
7	1	Blower	194220	194220
7A	1	Thermal Switch	21230	21230
7B	1	Pressure Switch	21235	21235
8	1	Inlet Tube	194054	194054
9	1	Flue Baffle Assembly	182193	182193
10	1	Anode Rod	43817-38	43817-38
11	1	Inner Door	39923	39923
12	1	Outer Door	39112-1	39112-1
13	1	Thermostat, SmartValve™	<u>183082-4</u>	<u>183082-5</u>
* 14	1	T & P Relief Valve	23740-1	23740-1
* 15	1	Drain Valve	26273-7	26273-7
16	1	Wire Harness	183089	183089
17	1	Manual	194373	194373
18	1	Fan Housing	182165	182165
19	1	Vent Terminal	181617	181617
20	1	Condensate Tee	181861	181861
21	1	Flue Restrictor	35405	35405

* Not Illustrated

A.O. SMITH
WATER PRODUCTS
COMPANY

A.O. SMITH WATER PRODUCTS CO., INC.
5621 W. 115TH STREET • ALSIP, ILLINOIS 60803
PHONE: 1-800-433-2545 • FAX: 1-800-433-2515
WWW.HOTWATER.COM • E-MAIL: PARTS@HOTWATER.COM