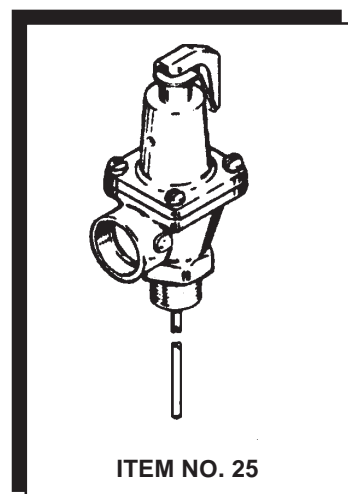
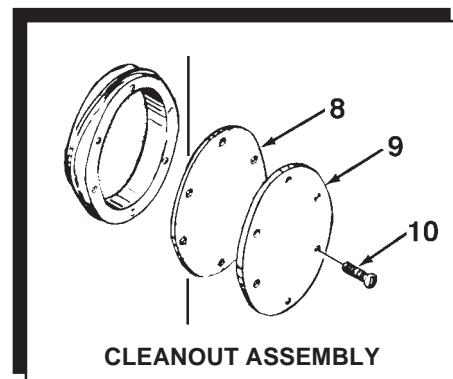
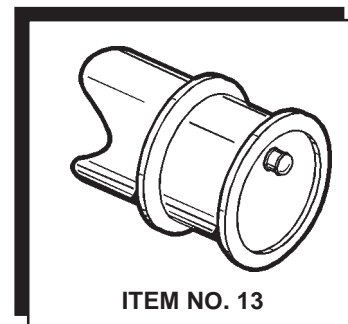
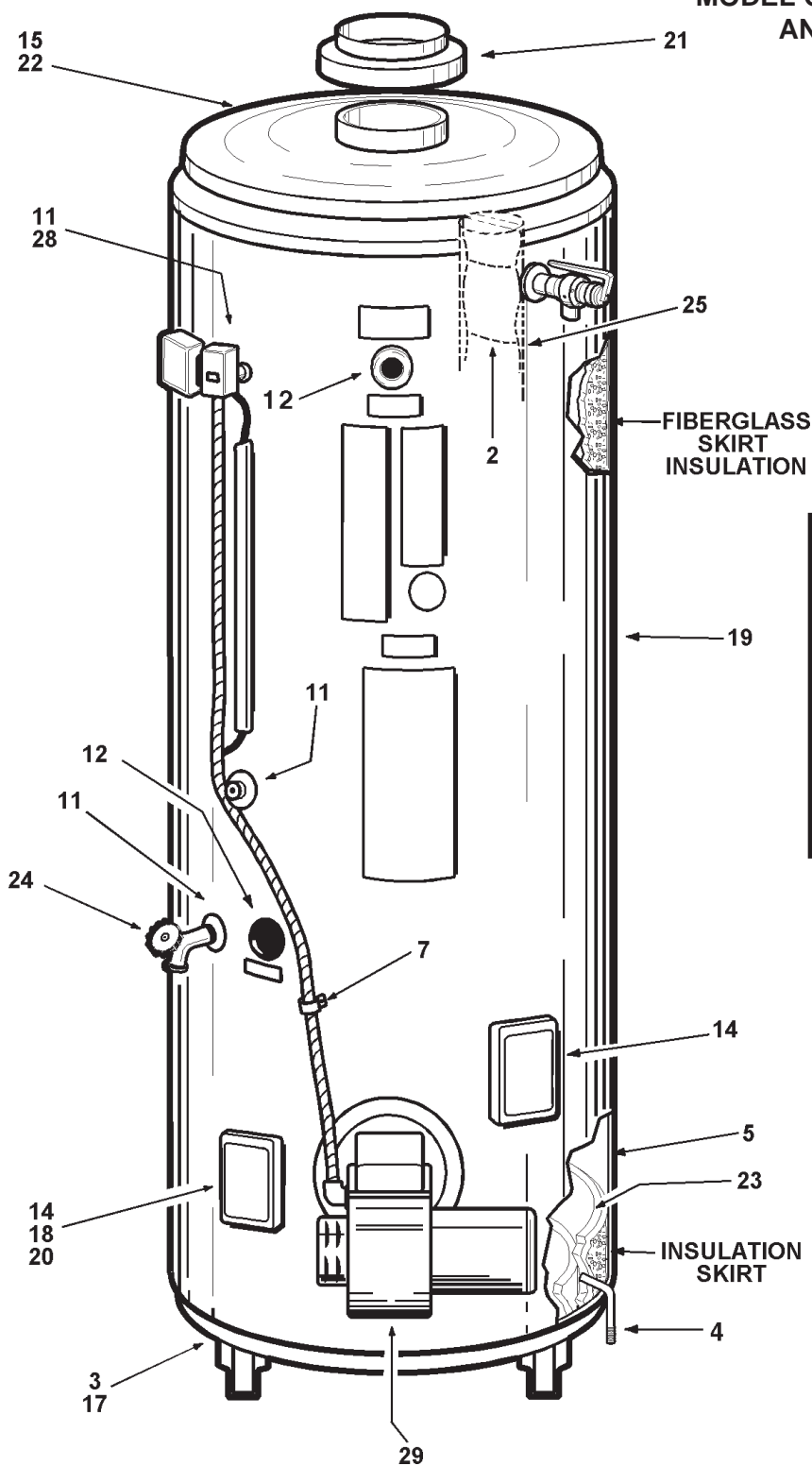


A.O. SMITH

OIL

**WATER PRODUCTS
COMPANY**

COMMERCIAL WATER HEATER PARTS LIST
MODEL COF - 199, 245, 315, 385, 455 & 700
AND COF - 315A, 385A, 455A & 700A
SERIES 940/941



A.O. SMITH WATER PRODUCTS CO., INC.
 5621 W. 115TH STREET • ALSIP, ILLINOIS 60803
 PHONE: 1-800-433-2545
 FAX: 1-800-433-2515 • WWW.HOTWATER.COM

ITEM	DESCRIPTION	COF	COF	COF	COF	COF	COF
		199	245	315	385(A)	455(A)	700(A)
1	*Anode	43817-38(2)	43817-38(2)	43817-38(2)	43817-38(3)	43817-38(3)	43817-38(4)
2	Baffle, Flue	39616-13(6)	39616-13(6)	39616-13(7)	39616-13 (12)	39616-13(12)	39616-13(16)
3	Base, Jacket w/skids	76242	76242	76242	76242	76242	76242
4	Bolt, Base	41431(4)	41431-(4)	41431-(4)	41431(4)	41431(4)	41431(4)
5	Chamber, Combustion	76508-1	76508-1	76508-1	76508-1	76508-1	76508-1
6	Channel, Wire	95312-4	95312-4	95312-4	95312-4	95312-4	95312-4
7	Clamp	94694	94694	94694	94694	94694	94694
CLEANOUT ASSEMBLY							
8	Gasket	99038(1)	99038(1)	99038(1)	99038(2)	99038(2)	99038(2)
9	Pressure Plate	99037(1)	99037(1)	99037(1)	99037(2)	99037(2)	99037(2)
10	Screw-self Tapping	69852-1(6)	69852-1(6)	69852-1(6)	69852-1(12)	69852-1(6)	69852-1(6)
11	Collar, Pipe	20172-21	20172-21	20172-21	20172-21	20172-21	20172-21
12	Collar, Pipe	95030-3	95030-3	95030-3	95030-3	95030-3	95030-3
13	Barometric Draft Control	69803	69803	69803	69803	69803	69803
14	Cover, Cleanout Opening & Observation Port.	181260	181260	181260	181260	181260	181260
15	Cover, Jacket	97062	97062-4	97062-4	97062-4	97062-4	97062-1
*INSULATION, FIBERGLASS SKIRT							
	Top	181268-14	181268-14	181268-14	181268-14	181268-14	181268-14
	Bottom		181268-19	181268-19	181268-19	181268-19	181268-19
	Insulation Skirt					191017-2	191017-2
16	*LABELS						
	Cleanout	78754	78754	78754	78754	78754	78754
	Combination	192485	192485	192485	192485	192485	192485
	Copper Conductor	192495	192495	192495	192495	192495	192495
	Hot	192484	192484	192484	192484	192484	192484
	Relief Valve	191068	191068	191068	191068	191068	191068
	UL	193657	193657-1	193657-2	193657-3	193657-4	193657-5
	Inlet	94518	94518	94518	94518	94518	94518
	Outlet	94519	94519	94519	94519	94519	94519
	Wiring Diagram	193694	193694	193694	193695	193695	193695
17	Gasket, Skirt Ring	76443	76443	76443	76443	76443	76443
18	Insulation, Foil-Faced	41175	41175	41175	41175	41175	41175
19	Jacket	193062	193062	193062	193064	193064	193066
20	Plug, Observation	41377	41377	41377	41377	41377	41377
21	Reducer, Flue	99767-2					76707-1
22	Ring,Flue Collector	193022	193022	193022	193021	193021	193021
23	Skirt Ring	193016	193016	193016	193016	193016	193016
24	Valve, Drain	26273-4	26273-4	26273-4	26273-4	26273-4	26273-4
25	Valve, Relief	99465-7	192467	192467	192467	192467	99465-3
26	+WIRE:						
	16 AWG Stranded, 105°C, AWM & TEW:						
	Black	86578	86578	86578	86578	86578	86578
	Red	86579	86579	86579	86579	86579	86579
	White	86580	86580	86580	86580	86580	86580
	Yellow	98199	98199	98199	98199	98199	98199
27	*Instruction Manual	193472	193472	193472	193472	193472	193472
28	Thermostat with E.C.O	192576	192576	192576	192576	192576	192576
29	Oil Burner						
	Single Stage	193655	193655-2	193655-4	193656	193656-2	193656-4
	Two Stage	193655-1	193655-3	193655-5	193656-1	193656-3	193656-5

* Not Illustrated

Quantities shown in parenthesis next to part number.

+When ordering wire, indicate length required in inches. (Example: 86578-100 equals 100" Length.)

Part numbers underlined are recommended stock items for emergency replacement.

Request parts from Product Service Division giving all information such as model and series number.