

**A.O. SMITH**

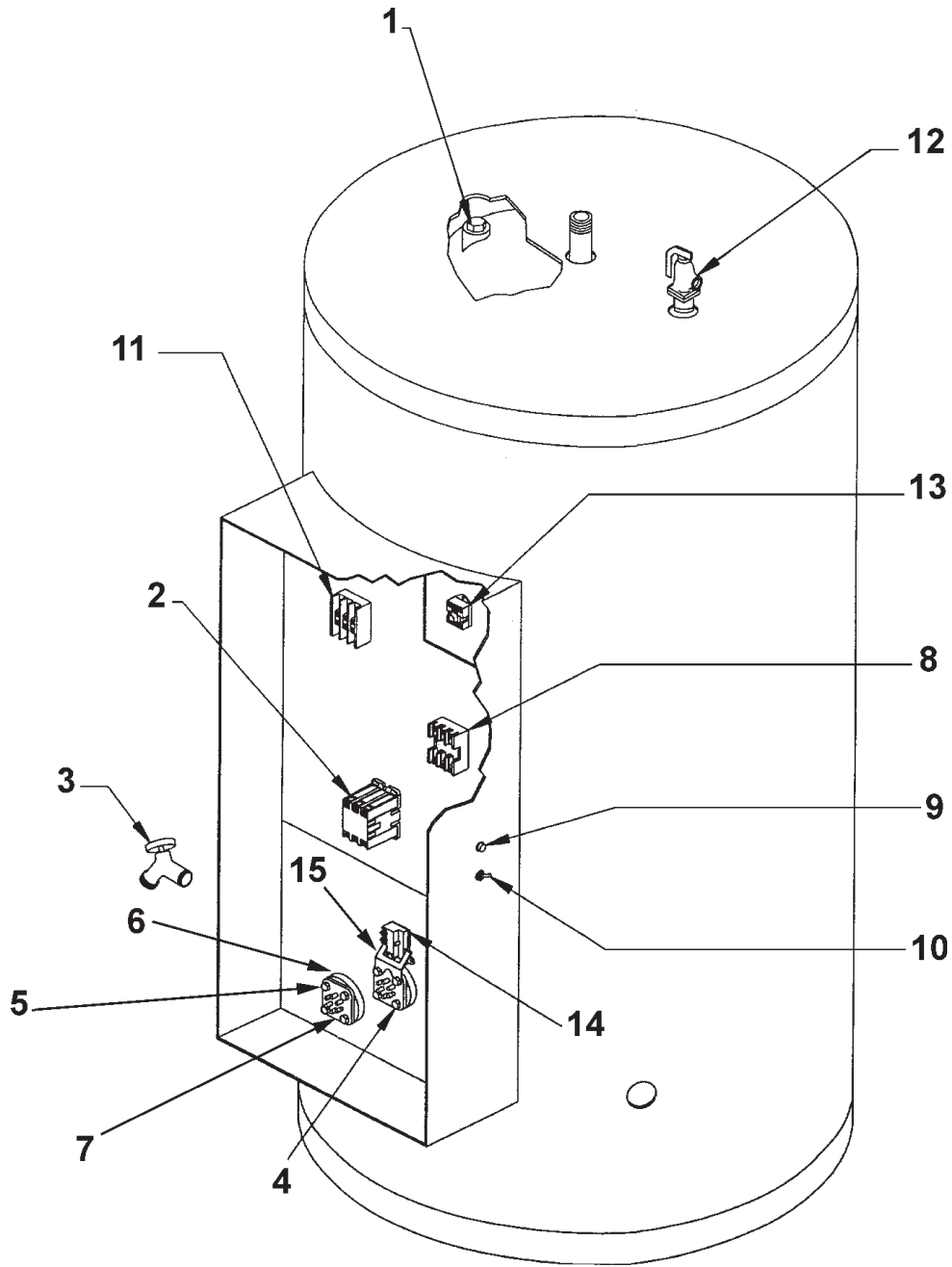
**WATER PRODUCTS  
COMPANY**

PSD-3-313/A

**ELECTRIC**

**COMMERCIAL WATER HEATER  
REPLACEMENT PARTS LIST**

**MODELS DME-150 thru 1000**



**A.O. SMITH WATER PRODUCTS CO., INC.**

5621 W. 115TH STREET • ALSIP, ILLINOIS 60803

PHONE: 1-800-433-2545 • FAX: 1-800-433-2515

website: [www.hotwater.com](http://www.hotwater.com) • email: [parts@hotwater.com](mailto:parts@hotwater.com)

Item	Description	DME-150 thru 1000
------	-------------	----------------------

1.....	Anode:	
	29" Long 1.315" Dia. 1-1/4" NPT .....	6200229
	36" Long 1.315" Dia. 1-1/4. NPT .....	6200236
	48" Long 1.315" Dia. 1-1/4" NPT .....	6200248
	60" Long 1.315" Dia. 1-1/4" NPT .....	6200060
2.....	Contactors:	
	220-240V Coil .....	1503123
3.....	Drain, 3/4" .....	1222004
4.....	Elements:	
	15kW 220V (also for 380V 3ph) .....	1315210
	15kW 240V (also for 415V 3ph) .....	1315215
5.....	Element Bolts 3/8"-16 X 3/4" .....	8050303
6.....	Element Gasket .....	1240400
7.....	Element Opening Blank Flange .....	1241000
8.....	Fuse Block:	
	3 Pole, 300V, 30 Amp .....	2103330
	3 Pole, 300V, 60 Amp .....	2103360
	3 Pole, 600V, 30 Amp .....	2106330
	3 Pole, 600V, 60 Amp .....	2106360
9.....	Pilot Light .....	4710013
10.....	Pilot Switch .....	4720012
11.....	Power Distribution Block .....	Refer to Factory
12.....	Relief Valve 3/4" 150 psi .....	1204150
13.....	Switch, Hi-Limit .....	3600175
14.....	Thermostat .....	3600000
15.....	Thermostat Clamp Bracket .....	3600001
16.....	Temperature and Pressure Gauge .....	6401008
17.....	4" x 6" Handhole Gasket .....	5231



**A.O. SMITH**  
**WATER PRODUCTS**  
**COMPANY**

**A.O. SMITH WATER PRODUCTS CO., INC.**  
 5621 W. 115TH STREET • ALSIP, ILLINOIS 60803  
 Phone: 1-800-433-2545 • Fax: 1-800-433-2515  
 website: [www.hotwater.com/parts](http://www.hotwater.com/parts) • email: [parts@hotwater.com](mailto:parts@hotwater.com)