

A.O. SMITH
GAS-FIRED COMMERCIAL
COPPER BOILERS
FOR HYDRONIC HEATING
AND HOT WATER SUPPLY



GB/GW 200 - 750

SERIES 100, 101, 102, 103

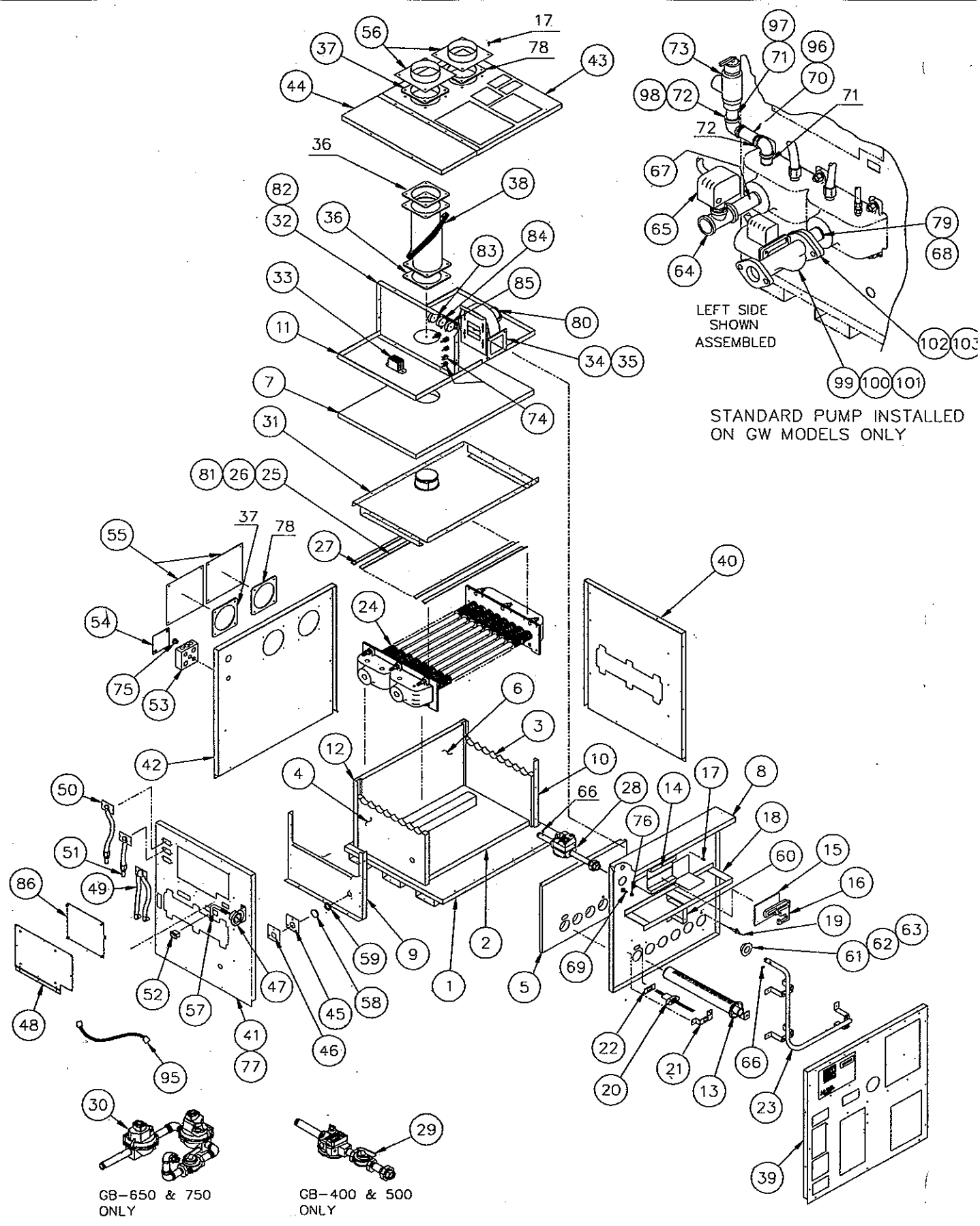
REPLACEMENT PARTS LIST

ITEM	PART NAME	PART NO.	QTY	GB-200	GB300	GB-400	GB-500	GB-650	GB-750
1	BASE/LEG ASSEMBLY	192787-->	1	-0	-1	-2	-3	-4	-5
2	INSULATION BOARD - BOTTOM	192755-->	1	-0	-1	-2	-3	-4	-5
3	INSULATION BOARD - SIDE (RIGHT)	192693-000	1	X	X	X	X	X	X
4	INSULATION BOARD - SIDE (LEFT)	192693-001	1	X	X	X	X	X	X
5	INSULATION BARD - FRONT	192692-->	1	-0	-1	-2	-3	-4	-5
6	INSULATION BOARD - REAR	192753-->	1	-0	-1	-2	-3	-4	-5
7	INSULATION BOARD - TOP	192754-->	1	-0	-1	-2	-3	-4	-5
8	PANEL - FRONT COMB. CHAMBER	192685-->	1	-0	-1	-2	-3	-4	-5
9	PANEL - LEFT COMBUSTION	192687-000	1	X	X	X	X	X	X
10	PANEL - RIGHT COMBUSTION	192687-001	1	X	X	X	X	X	X
11	PANEL - TOP MOUNTING	192756-->	1	-0	-1	-2	-3	-4	-5
12	PANEL - REAR COMB. CHAMBER	192688-000	1	-0	-1	-2	-3	-4	-5
13	BURNER ASSEMBLY	192678-000	>	4	6	8	10	13	15
14	BRACKET - DISPLAY	192781-000	2	X	X	X	X	X	X
15	DISPLAY BOARD	210219-000	1	X	X	X	X	X	X
16	GASKET - DISPLAY	210130-000	1	X	X	X	X	X	X
17	BOLT-UNSLOTTED HEX WASHER HD	210187-000	6	X	X	X	X	X	X
18	BRCKET - JACKET SUPPORT	210190-000	1	-0	-1	-2	-3	-4	-5
19	FLAME SENSOR	192682-000	1	X	X	X	X	X	X
20	IGNITOR	192334-00	1	X	X	X	X	X	X
21	BRACKET - IGNITOR	192791-000	1	X	X	X	X	X	X
22	GASKET - IGNITOR	210078-000	2	X	X	X	X	X	X
23	GAS MANIFOLD/ORIFICE ASSY	210228-->	1	-0	-1	-2	-3	-4	-5
24	HEAT EXCHANGER HEADER ASSY	210208-->	1	-0	-1	-2	-3	-4	-5
25	BAFFLE - TUBE	200438-007	7	-	X	-	-	-	-
26	BAFFLE - TUBE	210192-->	7	-	-	-2	-	-	-
27	END BAFFLE ASSEMBLY	210171-->	2	-0	-1	-2	-3	-4	-5
28	GAS CONTROL TRAIN ASSEMBLY	210139-000	1	X	X	-	-	-	-
29	GAS CONTROL TRAIN ASSEMBLY	210140-000	1	-	-	X	X	-	-
30	GAS CONTROL TRAIN ASSEMBLY	210141-000	1	-	-	-	-	X	X
31	FLUE COLLECTOR ASSEMBLY	210188-->	1	-0	-1	-2	-3	-4	-5
32	DIVIDER PANEL ASSEMBLY	210194-000	1	X	X	X	X	X	X
33	TRANSFORMER	210053-000	1	X	X	X	X	X	X
34	BLOWER/SHUTTER ASSEMBLY	210227-000	1	X	X	X	-	-	-
35	BLOWER/SHUTTER ASSEMBLY	210235-000	1	-	-	-	X	X	X
36	GASKET - EXHAUST FLIPVENT	210264-000	2	X	X	X	X	X	X
37	GASKET - VENT	192780-->	2	-1	-1	-0	-0	-0	-0
38	FLIPVENT ASSEMBLY	210233-000	1	X	X	X	X	X	X
39	FRONT JACKET ASSEMBLY	210271-->	1	-0	-1	-2	-3	-4	-5
40	JACKET - RIGHT SIDE PANEL	192778-000	1	X	X	X	X	X	X
41	JACKET - LEFT SIDE PANEL	192786-000	1	X	X	X	X	-	-
42	JACKET - REAR PANEL	192775-->	1	-0	-1	-2	-3	-4	-5
43	JACKET - TOP PANEL	192776-->	1	-0	-1	-2	-3	-4	-5
44	JACKET - TOP ACCESS PANEL	210256-->	1	-0	-1	-2	-3	-4	-5
45	GASKET - SIGHT GLASS	210167-000	1	X	X	X	X	X	X
46	FLANGE - SIGHT GLASS	210166-000	1	X	X	X	X	X	X
47	PRESSURE GAUGE ASSEMBLY	210268-000	1	X	X	X	X	X	X
48	CONTROL PANEL ASSMBLY	210191-000	1	X	X	X	X	X	X
49	PUMP/FLOW SWITCH CONDUIT ASSY	210179-000	1	X	X	X	X	X	X

A.O. SMITH
WATER PRODUCTS
COMPANY

5621 W. 115TH STREET, ALSIP, ILLINOIS 60803
 800-433-2545

PLEASE KEEP THESE INSTRUCTIONS ADJACENT TO BOILER AND
 NOTIFY OWNER TO KEEP FOR FUTURE REFERENCE.



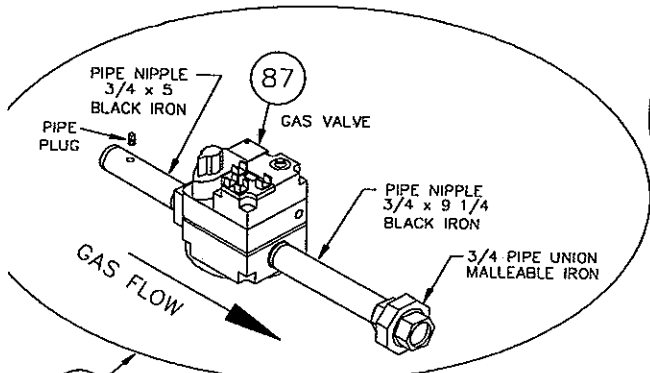
LEFT SIDE
SHOWN
ASSEMBLED

STANDARD PUMP INSTALLED
ON GW MODELS ONLY

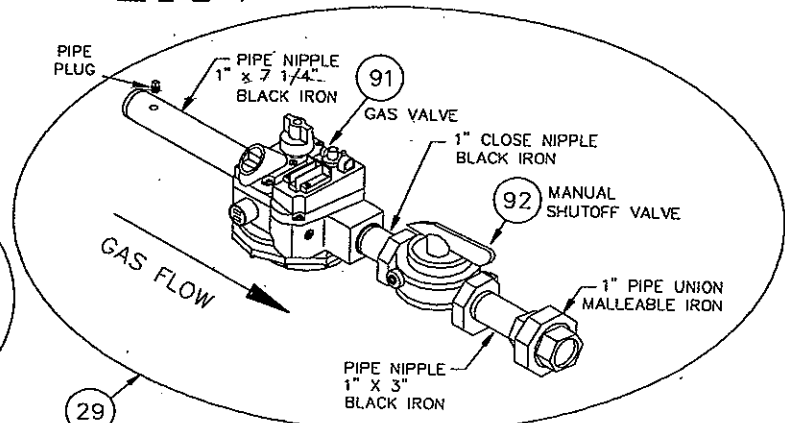
GB-650 & 750
ONLY

GB-400 & 500
ONLY

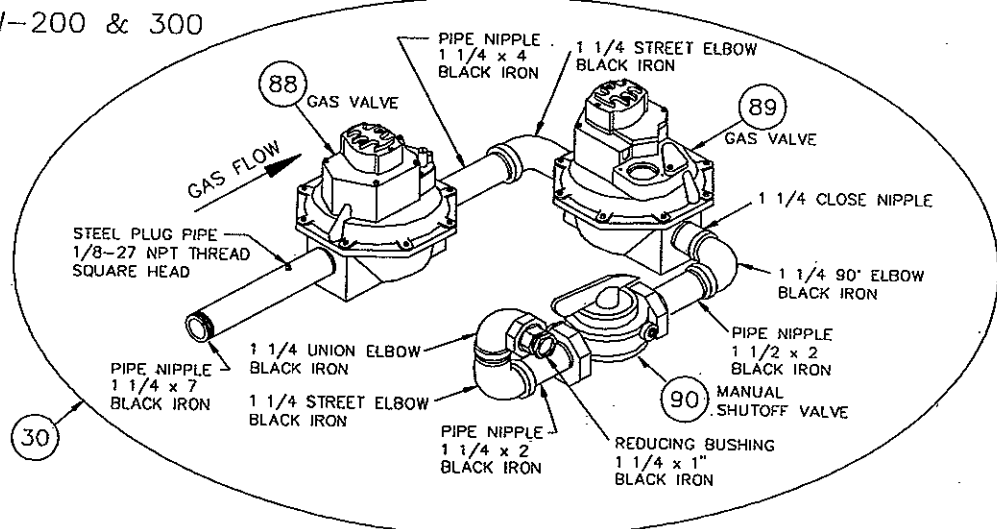
GENESIS PARTS LIST



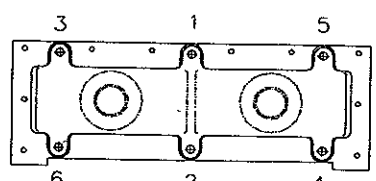
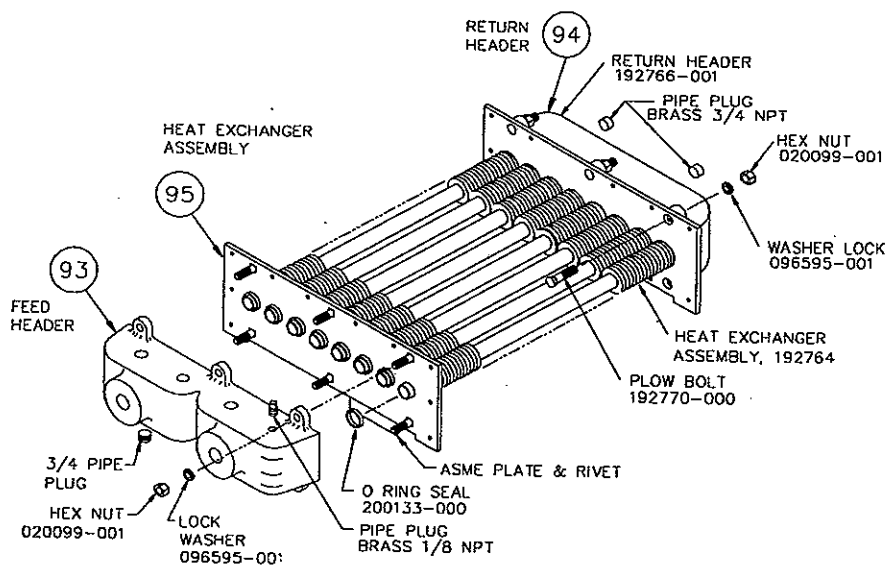
28 GB, GW-200 & 300



GB, GW-400 & 500



GB, GW-650 & 750



TORQUE PATTERN FOR BOTH HEADERS
 TORQUE HEX NUT (020099-001), FIRST ROTATION TORQUE TO 7 FT/LB AND SECOND ROTATION TO 15 FT/LB AS SHOWN IN PATTERN.

HEAT EXCHANGER HEADER ASSEMBLY

ITEM	PART NAME	PART NO.	QTY	GB-200	GB300	GB-400	GB-500	GB-650	GB-750
50	INLET TEMP. CONDUIT ASSY	210180-000	1	X	X	X	X	X	X
51	ECO/OUTLET TEMP. CONDUIT ASSY	210181-000	1	X	X	X	X	X	X
52	SWITCH - ROCKER	191665-000	1	X	X	X	X	X	X
53	JUNCTION BOX	093558-000	1	X	X	X	X	X	X
54	COVER - JUNCTION BOX	200660-000	1	X	X	X	X	X	X
55	PLATE - INTAKE COVER	192792-->	2	-0	-1	-1	-1	-1	-1
56	VENT ADAPTOR	192774-->	2	-0	-1	-2	-2	-3	-3
57	PRESSURE GAUGE TUBING ASSY	210270-->	1	-0	-1	-2	-3	-4	-5
58	PORT - OBSERVATION	191572-001	1	X	X	X	X	X	X
59	GASKET - PORT	191576-000	1	X	X	X	X	X	X
60	BRACKET - MOUNTING	192691-001	1	X	X	X	X	X	X
61	GROMMET	192771-->	2	-3	-3	-0	-0	-	-
62	GROMMET	192771-002	1	-	-	-	-	X	X
63	GROMMET	192771-001	1	-	-	-	-	X	X
64	TEE - REDUCING	200644-->	1	-9	-9	-9	-6	-6	-6
65	FLOW SWITCH	210176-000	1	X	X	X	X	X	X
66	PLUG - 1/8"	003348-000	2	X	X	X	X	X	X
67	NIPPLE - PIPE 1 1/2 X 6"	200641-002	1	X	X	X	-	-	-
68	NIPPLE - PIPE 1 1/2" X CLOSE	200641-000	1	-	-	-	X	X	X
69	STRAIN RELIEF TUBE ASSEMBLY	210234-000	1	X	X	X	X	X	X
70	NIPPLE - PIPE 3/4" X 3"	020373-002	1	X	X	X	X	X	X
71	NIPPLE - PIPE 3/4" X CLOSE	200645-000	2	X	X	X	X	X	X
72	ELBOW - 3/4 X 90°	191664-000	2	X	X	X	X	X	X
73	PRESSURE RELIEF VALVE (NOTE 1)	098883-->	1	-1	-1	-1	-5	-5	-0
74	CLAMP - TUBE	068903-000	2	X	X	X	X	X	X
75	BUSHING - STRAIN TUBE	210293-000	1	X	X	X	X	X	X
76	NUT - LOCKING	210174-000	1	X	X	X	X	X	X
77	PANEL - LEFT SIDE JACKET	210169-00	1	-	-	-	-	X	X
78	GASKET - VENT	192780-->	2	-2	-3	-4	-4	-5	-5
79	NIPPLE - PIPE 2" X CLOSE	200643-000	1	-	-	-	X	X	X
80	CONNECTOR - WIRE	042573-000	1	X	X	X	X	X	X
81	BAFFLE - TUBE	192772-->	7	-	-	-	-3	-4	-5
82	TUBING - SILICONE RUBBER	210209-000	3	X	X	X	X	X	X
83	BLOWER PROVER PRESS. SWITCH	192761-000	1	X	X	X	X	X	X
84	BLOCKED OUTLET PRESS. SWITCH	192761-001	1	X	X	X	X	X	X
85	BLOCKED INLET PRESS. SWITCH	192784-000	1	X	X	X	X	X	X
86	CONTROL BOARD	210128-000	1	X	X	X	X	X	X
87	GAS VALVE	192454-000	1	X	X	-	-	-	-
88	GAS VALVE	78481-003	1	-	-	-	-	X	X
89	GAS VALVE	78482-001	1	-	-	-	-	X	X
90	MANUAL SHUT-OFF VALVE	3423-003	1	-	-	-	-	X	X
91	GAS VALVE	191956-000	1	-	-	X	X	-	-
92	MANUAL SHUT-OFF VALVE	3423-004	1	-	-	X	X	-	-
93	FEED HEADER	192767-->	1	-1	-1	-1	-2	-2	-3
94	RETURN HEADER	192766-001	1	X	X	X	X	X	X
95	HEAT EXCHANGER ASSY	192764-->	1	-0	-1	-2	-3	-4	-5
96	1" PIPE NIPPLE	210305-000	1	-	-	-	-	-	X
97	CLOSE NIPPLE	200651-000	2	-	-	-	-	-	X
98	1" ELBOW	210209-000	2	-	-	-	-	-	X
99	STANDARD PUMP GW 200/300	192788-000	1	X	X	-	-	-	-
100	STANDARD PUMP GW 400/500/650	200638-000	1	-	-	X	X	X	-
101	STANDARD PUMP GW 750	210263-000	1	-	-	-	-	-	X
102	PUMP FLANGE KIT GW200/300	210131-000	1	X	X	-	-	-	-
103	PUMP FLANGE KIT GW400	210131-002	1	-	-	X	-	-	-
104	PUMP FLANGE KIT GW 500/650	210131-004	1	-	-	-	X	X	-
105	TANK TEMPERATURE KIT	210324-000	1	X	X	X	X	X	X
106	INTER CONNECT CABLE	210220-000	1	X	X	X	X	X	X

NOTE: 1. ALL GW MODELS USE 98883-003 PRESSURE RELIEF VALVE