

WATER PRODUCTS COMPANY

COMMERCIAL WATER HEATER

PARTS LIST INSERT SHEET

DURA - MAX IRI MODELS:

DB/DW - 720 THRU DB/DW - 1810

STANDARD EQUIPMENT FOR DURA MAX IRI BY MODEL

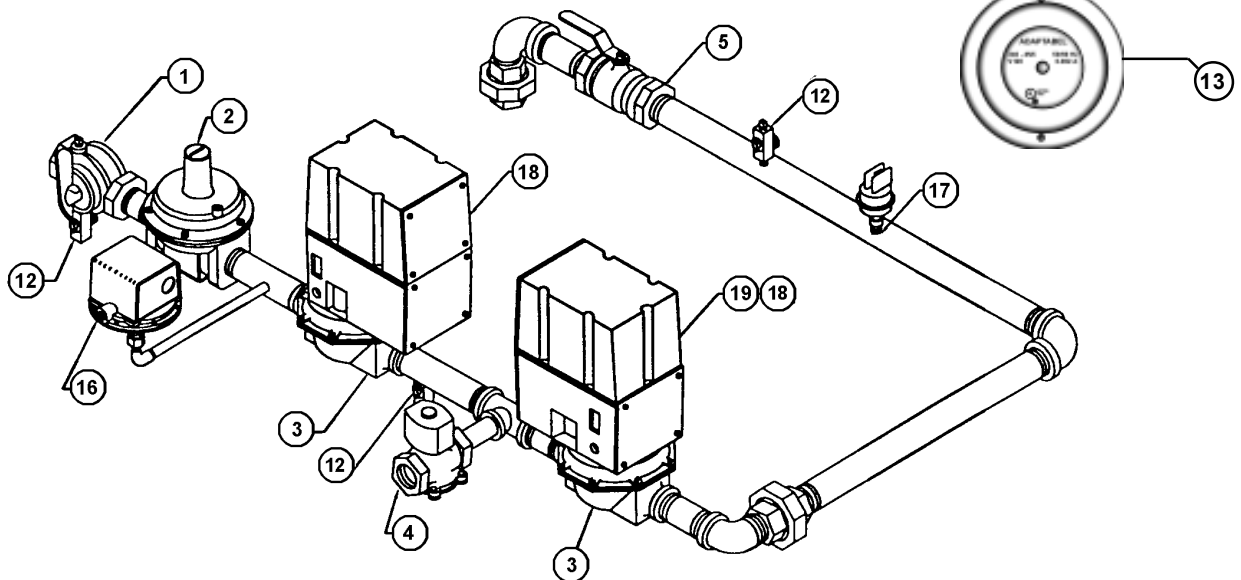
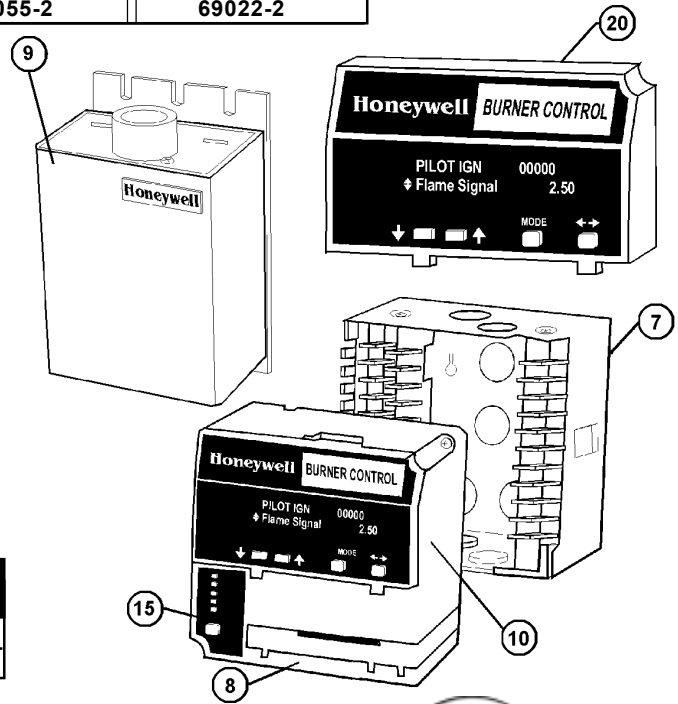
Item	Description	DB/DW 720 - 1080	DB/DW 1210 - 1480	DB/DW 1610 & 1810
1	MANUAL SHUT OFF VALVE	3423-1	96479-3	69143
2	GAS REGULATOR	210693	210694	210695
3	VALVE BODY	210692	210692-1	210692-2
4	VENT VALVE	210698	210698	210698-1
5	BALL VALVE	69009-2	98055-2	69022-2

STANDARD EQUIPMENT FOR ALL DURA MAX IRI MODELS

Item	Description	Part Number
6	PILOT ASSEMBLY	210612
7	BASE-SUB	210696
8	FLAME AMPLIFIER	210814
9	IGNITION TRANSFORMER	210815
10	PURGE TIMER	210816
11	RELAY SPDT	210817
12	VALVE MANUAL	69104
13	ALARM BELL	192538
14	PILOT GAS VALVE	77782-4
15	CONTROL IRI MODULE	210866
16	PRESSURE SWITCH	97181
17	HIGH PRESSURE SWITCH	192527-1
18	VALVE ACTUATOR (On/Off)	210684

OPTIONAL EQUIPMENT

Item	Description	Part Number
19	VALVE ACTUATOR MODULATION	210855
20	KEYBOARD DISPLAY MODULE - ENGLISH	210854



A. O. SMITH WATER PRODUCTS CO., INC.
 5621 W. 115TH STREET • ALSIP, ILLINOIS 60803
 Phone: 1-800-433-2545
 Fax: 1-800-433-2515 • www.hotwater.com

A. O. SMITH
WATER PRODUCTS
COMPANY

A.O. SMITH WATER PRODUCTS CO., INC.
5621 W. 115TH STREET • ALSIP, ILLINOIS 60803
Phone: 1-800-433-2545 • FAX: 1-800-433-2515
Website: [www@hotwater.com](http://www.hotwater.com)