

A. O. SMITH

WATER PRODUCTS COMPANY

PSD-3-142/D

GAS

COMMERCIAL WATER HEATERS REPLACEMENT PARTS LIST

DURA-MAX MODELS

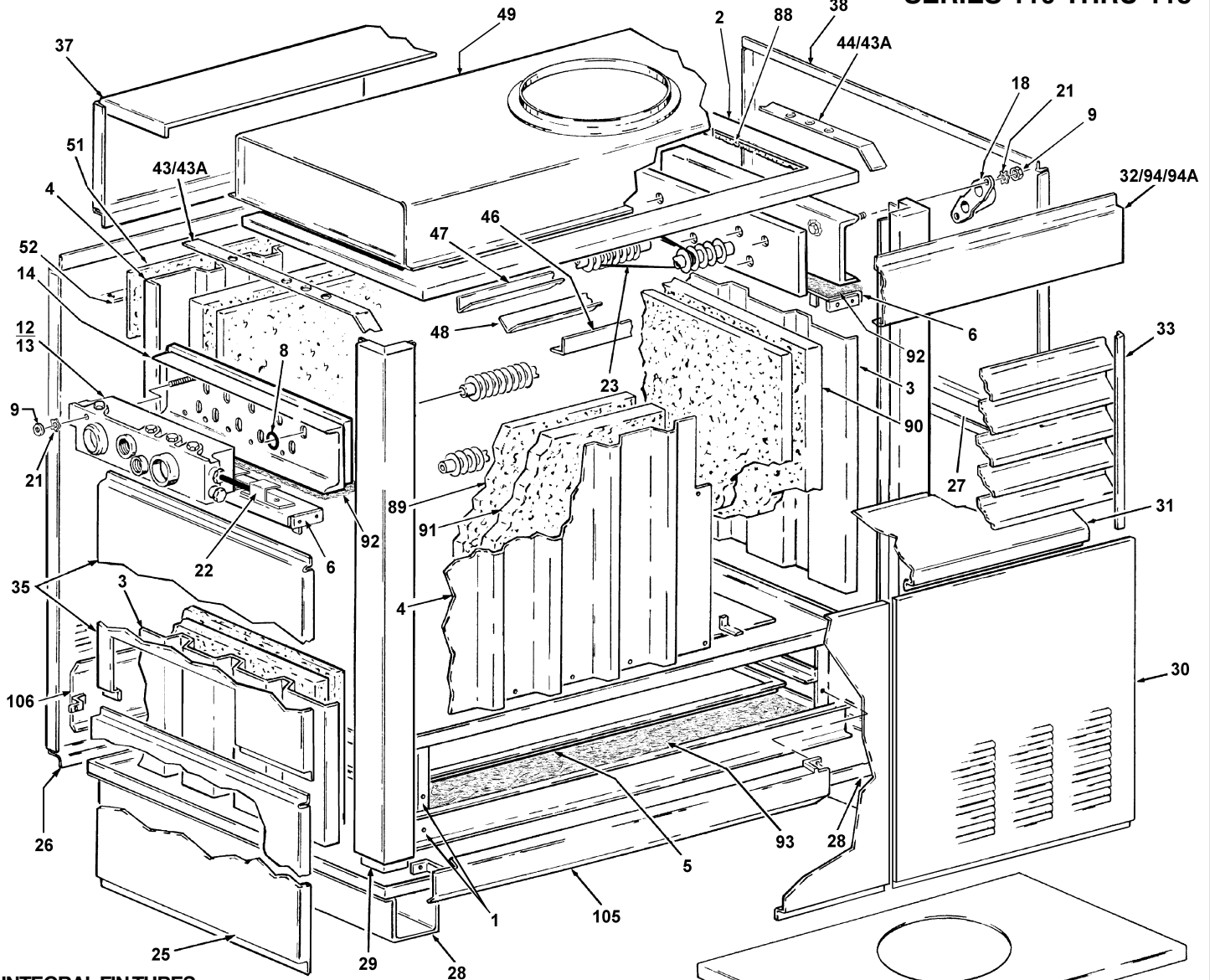
DB/DW-720 THRU 1350:

SERIES 120 THRU 128

DB/DW-1480 THRU 1810:

SERIES 110 THRU 118

PART ONE: Models DB/DW-720 THRU 1350 See pages 1-4
PART TWO: Models DB/DW-1480 THRU 1810 See pages 5-8

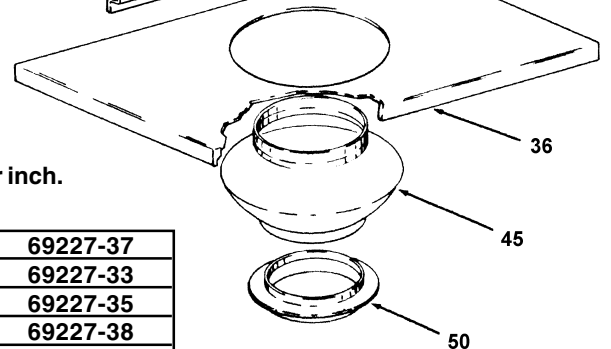


INTEGRAL FIN TUBES:

- DB/DW-720, 840, 960 Requires 6 Top Tubes/6 Bottom Tubes
 - DB/DW-1080 Thru DB/DW-1350 Requires 8 Top Tubes/8 Bottom Tubes
- NOTE: Top Tubes contain 7 fins per inch, Bottom Tubes contain 5 fins per inch.

Item # 88: 1/8" DURAMAX INSULATION PAD:

DB/DW-720	28 Ft.	69227-28	DB/DW-1350	37 Ft.	69227-37
DB/DW-840	30.5 Ft.	69227-31	DB/DW-1480	33 Ft.	69227-33
DB/DW-960	33 Ft.	69227-33	DB/DW-1610	35 Ft.	69227-35
DB/DW-1080	32 Ft.	69227-32	DB/DW-1810	37.5 Ft.	69227-38
DB/DW-1210	34.5 Ft.	69227-35			



A.O. SMITH WATER PRODUCTS CO., INC.

5621 W. 115TH STREET • ALSIP, ILLINOIS 60803

PHONE: 1-800-433-2545 • FAX: 1-800-433-2515

Website: www.hotwater.com/parts

SINGLE STAGE OPTION SHOWN:

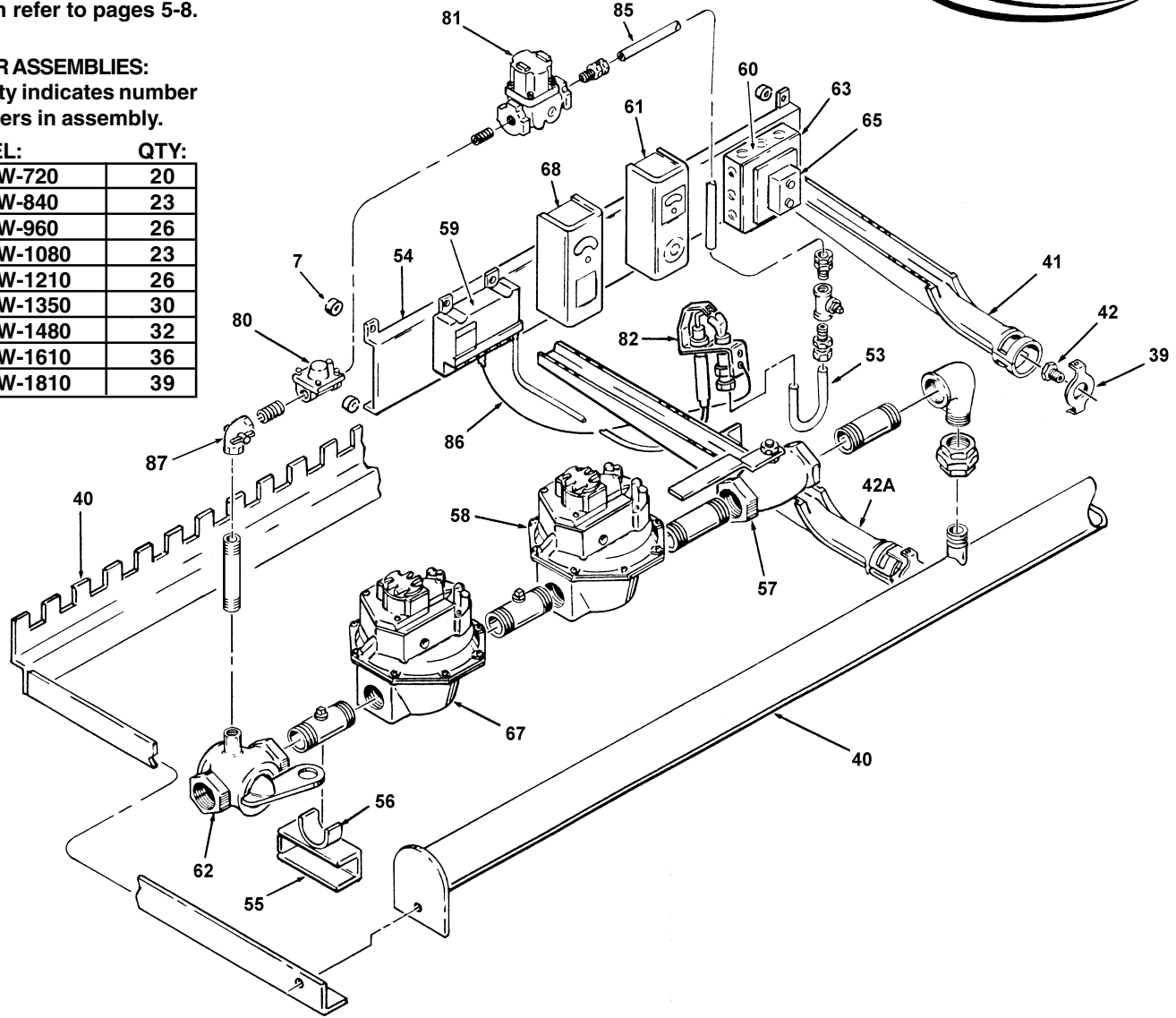
- Models DB/DW 720 thru 1350 refer to *Part One* illustrations & numbering system refer to pages 1-4.
- For SINGLE STAGE Models DB/DW 1480 thru 1810 refer to *Part Two* illustrations & numbering system refer to pages 5-8.



BURNER ASSEMBLIES:

*Quantity indicates number of burners in assembly.

MODEL:	QTY:
DB/DW-720	20
DB/DW-840	23
DB/DW-960	26
DB/DW-1080	23
DB/DW-1210	26
DB/DW-1350	30
DB/DW-1480	32
DB/DW-1610	36
DB/DW-1810	39



PART 1: Models DB/DW-720 THRU 1350

Part numbers underlined are recommended stock items.

ITEM	DESCRIPTION	DM-720	DM-840	DM-960	DM-1080	DM-1210	DM-1350
CHASSIS							
1	CHASSIS BASE FRAME ASS'Y	200193	200236	200166	200195	200408	200232
2	CHASSIS TOP FRAME RAIL ASS'Y	200620	200620-1	200620-2	200620-3	200620-4	200722
3	CORRUGATED CHASSIS END PANELS	200186	200186	200186	200493	200493	200493
4	CORRUGATED CHASSIS SIDE PANELS	200185	200185-1	200185-2	200185-3	200185-4	200185-5
5	DRIP TRAY	200150	200150-1	200150-2	200621	200170-1	200621-1
6	HEAT EXCHANGER CHASSIS SUPPORT	200622	200622	200622	200622-1	200622-1	200622-1
7	INSULATOR	32779-1	32779-1	32779-1	32779-1	32779-1	32779-1
HEAT EXCHANGER							
8	"O" RING SEALS	<u>200133</u>	<u>200133</u>	<u>200133</u>	<u>200133</u>	<u>200133</u>	<u>200133</u>
9	3/8-16 HEX NUT	20099-1	20099-1	20099-1	20099-1	20099-1	20099-1
12	INLET/OUTLET MANIFOLD STANDARD UNITS	200691-1	200691-1	200691-1	200692-1	200692-1	200692-1
13	INLET/OUTLET MANIFOLD MODULATING OR UNITS WITH GUAGES	200691	200691	200691	200692	200692	200692
14	HEAT EXCHANGER	SEE COMPLETE HEAT EXCHANGER TABLE ON PAGE 8					
18	RETURN BENDS	200699-1	200699-1	200699-1	200699-1	200699-1	200699-1
21	SHAKE PROOF WASHER	200366	200366	200366	200366	200366	200366
22	HEAT EXCHANGER SUPPORT	200582	200582	200582	200583	200583	200583
23	HEAT EXCHANGER SUPPORT WIRE (8 PCS.) NA	NA	NA	NA	NA	NA	200587-21

ITEM	DESCRIPTION	DM-720	DM-840	DM-960	DM-1080	DM-1210	DM-1350
CABINET							
25	BOTTOM LEFT SIDE CABINET PANEL	200151	200151	200151	200174	200174	200174
26	BOTTOM REAR COVER PANEL	200153	200234	200155	200177	200391	200221
27	BOTTOM RIGHT SIDE CABINET PANEL	200157	200157	200157	200176	200176	200176
28	CABINET BASE ASS'Y	200167-3	200167-4	200167-5	200197-3	200197-4	200197-5
29	CORNER POSTS	200158-5	200158-5	200158-5	200158-6	200158-6	200158-6
30	FRONT ACCESS PANEL	211160	211161	211162	211163	211164	211165
31	FRONT INCLINE PANEL	211166	211166-1	211166-2	211166-3	211166-4	211166-5
32	FRONT TOP PANEL	200321	200321-1	200321-2	200321-3	200321-4	200321-5
33	LOUVER ASS'Y - FRONT	211174	211174-1	211174-2	211175	211175-1	211175-2
34	LOUVER ASS'Y - REAR				200344	200344-1	200344-2
35	TOP LEFT SIDE CABINET PANEL	200159	200159	200159	200173	200173	200173
36	TOP PANEL ASS'Y	200623	200623-1	200623-2	200623-3	200623-4	200623-5
37	TOP REAR CABINET PANEL	200300	200300-1	200300-2	200351	200351-1	200351-2
38	TOP RIGHT SIDE CABINET PANEL	200161	200161	200161	200175	200175	200175
BURNER TRAY							
39	BURNER CLIPS	98044	98044	98044	98044	98044	98044
40	BURNER TRAY ASS'Y	200449	200287	200422	200523	200523-1	200523-2
41	BURNERS STAINLESS STEEL	200559	200559	200559	69509	69509	192322-1
42	ORIFICES (SEA LEVEL)	29366-35	29366-35	29366-34	29366-31	29366-31	29366-31
42A	BURNER WITH PILOT BRACKET ASS'Y	200560	200560	200560	69510-2	69510-2	192323-1
FLUE COLLECTOR AND DRAFT HOOD							
43	DRAFT COVER LEFT SIDE (W/PROBE HOLES)	211173	211173	211173	211173-1	211173-1	211173-1
43A	DRAFT COVER LEFT SIDE OR RIGHT SIDE (W/O PROBE HOLES)	211168	211168	211168	211168-1	211168-1	211168-1
44	DRAFT COVER RIGHT SIDE (W/PROBE HOLES)	211170	211170	211170	211169	211169	211169
45	DRAFT HOOD	200291	200291-1	200291-2	200291-3	200291-4	200291-5
46	END FLUE BAFFLE - FRONT	200514	200514-1	200514-2	200515	200515-1	200515-2
47	END FLUE BAFFLE - REAR	200439	200439-1	200439-2	200440	200440-1	200440-2
48	FLUE BAFFLES	200438	200438-1	200438-2	200438-1	200438-2	200438-3
49	FLUE COLLECTOR ASSEMBLY	200381	200381-1	200381-2	200381-3	200381-4	200381-5
50	FLUE RISER ASSEMBLY	200382	200382-1	200382-1	200206-2	200206-3	200206-3
51	REAR DRAFT BLANKET	200298	200298-1	200298-2	200298-1	200298-2	200298-3
52	REAR DRAFT RETAINING STRIP	200299	200299-1	200299-2	200299-1	200299-2	200299-3
GAS CONTROL							
53	PILOT TUBE	99528-1	99528-1	99528-1	99528-1	99528-1	99528-1
54	CONTROL MOUNTING PANEL	200367	200367	200367	200367	200367	200367
55	CONTROL STRING SUPPORT	200365	200365	200365	200365	200365	200365
56	CONTROL STRING SUPPORT CLIP	200389	200389	200389	200389	200389-1	200389-1
57	FIRING VALVE	69009-2	69009-2	69009-2	69009-2	69010-2	69010-2
59	IGNITION MODULE	191182-2	191182-2	191182-2	191182-2	191182-2	191182-2
60a	JUNCTION BOX - DB MODELS	93558	93558	93558	93558	93558	93558
60b	JUNCTION BOX - DW MODELS	200655	200655	200655	200655	200655	200655
60c	JUNCTION BOX COVER - DW MODELS	200660-1	200660-1	200660-1	200660-1	200660-1	200660-1
62	MANUAL VALVE	3423-1	3423-1	3423-1	3423-1	96479-3	96479-3
63	THERMAL BALANCER	98190	98190	98190	98190	98190	98190
65a	TRANSFORMER - DB MODELS	69170-10	69170-10	69170-10	69170-10	69170-10	69170-10
65b	TRANSFORMER - DW MODELS	69170-11	69170-11	69170-11	69170-11	69170-11	69170-11
66	WIRING HARNESS	200530	200530	200530	200530	200530	200530
SINGLE STAGE							
58	REDUNDANT GAS VALVE	78482-1	78482-1	78482-1	78482-1	78482-2	78482-2
67	GAS VALVE	69388	69388	69388	69388	69387	69387
68	CONTROL COMBINATION HIGH LIMIT	192403	192403	192403	192403	192403	192403
68A	THERMOWELL	95545-1	95545-1	95545-1	95545-1	95545-1	95545-1
DUAL STAGE (NOT SHOWN)							
58	REDUNDANT GAS VALVE	78482-1	78482-1	78482-1	78482-1	78482-2	78482-2
61	MANUAL RESET HIGH LIMIT	200164	200164	200164	200164	200164	200164

ITEM	DESCRIPTION	DM-720	DM-840	DM-960	DM-1080	DM-1210	DM-1350
DUAL STAGE (NOT SHOWN) - CONTINUED							
61A	THERMOWELL	69039-1	69039-1	69039-1	69039-1	69039-1	69039-1
69	CONTROL LIMIT	<u>97474-1</u>	<u>97474-1</u>	<u>97474-1</u>	<u>97474-1</u>	<u>97474-1</u>	<u>97474-1</u>
70	GAS VALVE	69392	69392	69392	69392	69390	69390
MODULATING (NOT SHOWN)							
67	GAS VALVE	<u>69388</u>	<u>69388</u>	<u>69388</u>	<u>69388</u>	<u>69387</u>	<u>69387</u>
71	ACTUATOR	69164	69164	69164	69164	69164	69164
74	CONTROL COMBINATION HIGH LIMIT	<u>192403</u>	<u>192403</u>	<u>192403</u>	<u>192403</u>	<u>192403</u>	<u>192403</u>
74A	THERMOWELL	<u>95545-1</u>	<u>95545-1</u>	<u>95545-1</u>	<u>95545-1</u>	<u>95545-1</u>	<u>95545-1</u>
75	SPST RELAY	69418	69418	69418	69418	69418	69418
76	TEMPERATURE CONTROL-DB	69165-1	69165-1	69165-1	69165-1	69165-1	69165-1
	TEMPERATURE CONTROL-DW	69215-1	69215-1	69215-1	69215-1	69215-1	69215-1
76A	THERMOWELL	69217	69217	69217	69217	69217	69217
77	VALVE BODY	99860-1	99860-1	99860-1	99860-1	99860-2	99860-2
PILOT ASSEMBLY							
80	REGULATOR	99382	99382	99382	99382	99382	99382
81	SOLENOID VALVE	<u>77782-3</u>	<u>77782-3</u>	<u>77782-3</u>	<u>77782-3</u>	<u>77782-3</u>	<u>77782-3</u>
82	PILOT ASSEMBLY	210871-2	210871-2	210871-2	210871-2	210871-2	210871-2
85	PILOT TUBE (ALUMINUM)	<u>1417-60</u>	<u>1417-60</u>	<u>1417-60</u>	<u>1417-60</u>	<u>1417-60</u>	<u>1417-60</u>
86	GROUND WIRE	<u>170889-69</u>	<u>170889-69</u>	<u>170889-69</u>	<u>170889-69</u>	<u>170889-69</u>	<u>170889-69</u>
87	VALVE-PILOT 90°	200683	200683	200683	200683	200683	200683
INSULATION KITS							
	(w/o *Flue Collector & *Heat Exchanger Insulation)	210045	210045-1	210045-2	210045-3	210045-4	210045-5
88	*FLUE COLLECTOR INSULATION	69227-1(28)	69227-1(31)	69227-1(33)	69227-1(32)	69227-1(35)	69227-1(37)
89	INSULATION - HIGH TEMP. BOARD	200239(2)	200239-1(2)	200239-2(2)	200239-4(2)	200239-5(2)	200239-7(2)
	INSULATION - HIGH TEMP. BOARD			200239-3(2)		200239-6(2)	200239-8(2)
	INSULATION - HIGH TEMP. BOARD	200240(2)	200240(2)	200240(2)	200240-1(2)	200240-1(2)	200240-1(2)
90	INSULATION - LOW TEMP. END BOARD	200238(2)	200238(2)	200238(2)	200238-1(2)	200238-1(2)	200238-1(2)
	INSULATION - LOW TEMP. END BOARD	NA	200238-3(2)	NA	NA	NA	NA
91	INSULATION - LOW TEMP. SIDE BOARD	210044(2)	210044-1(2)	210044-1(2)	210044-4(2)	210044-5(2)	210044-5(2)
	INSULATION - LOW TEMP. SIDE BOARD			210044-3(2)		210044-6(2)	210044-8(2)
92	*HEAT EXCHANGER INSULATION	69294-3(2)	69294-3(2)	69294-3(2)	69294-3(2)	69294-3(2)	69294-3(2)
93	INSULATION	210550	210550-1	210550-2	210550-3	210550-4	210550-5
GAUGE PACKAGE							
94	GAUGE PANEL (Left Hand Water)	200296	200296-1	200296-2	200296-3	200296-4	200296-5
94A	GAUGE PANEL (Right Hand Water)	200296-6	200296-7	200296-8	200296-9	200296-10	200296-11
95	PRESSURE GAUGE	5120	5120	5120	5120	5120	5120
96	TEMPERATURE GAUGE	5119	5119	5119	5119	5119	5119
RELIEF VALVE							
97	HOT WTR. SUPPLY BOILER (DW)-125psi	98883-3	98883-3	98883-3	98883-3	98883-3	98883-3
98	HOT WTR. HEATING BOILER (DB)-50psi	210451	210451	210451-1	210451-1	210451-1	210451-2
MISCELLANEOUS/OPTIONAL							
100	BURNER TOP HEAT SHIELD				200333	200333-1	200333-2
101	DRAIN VALVE	26273-5	26273-5	26273-5	26273-5	26273-5	26273-5
104	FLOW SWITCH	211480	211480	211480	211480	211480	211480
105	HEAT SHIELD - FRONT	200421	200421-1	200421-2	200335	200335-1	200335-2
106	HEAT SHIELD - REAR	200450	200450-1	200450-2	200330	200330-1	200330-2
107	INSTALLATION MANUAL	211171	211171	211171	211171	211171	211171
108	LOW WATER CUTOFF	99915-1	99915-1	99915-1	99915-1	99915-1	99915-1
109	THERMAL BALANCER	98190	98190	98190	98190	98190	98190
110	THERMOMETERS	93042	93042	93042	93042	93042	93042
111	USER MANUAL	200378-1	200378-1	200378-1	200378-1	200378-1	200378-1
112	SWITCH ON/OFF	200581	200581	200581	200581	200581	200581

*Feet of insulation required.

Part numbers underlined are recommended stock items.

PART 2: Models DB/DW-1480 THRU 1810



INTEGRAL FIN TUBES:

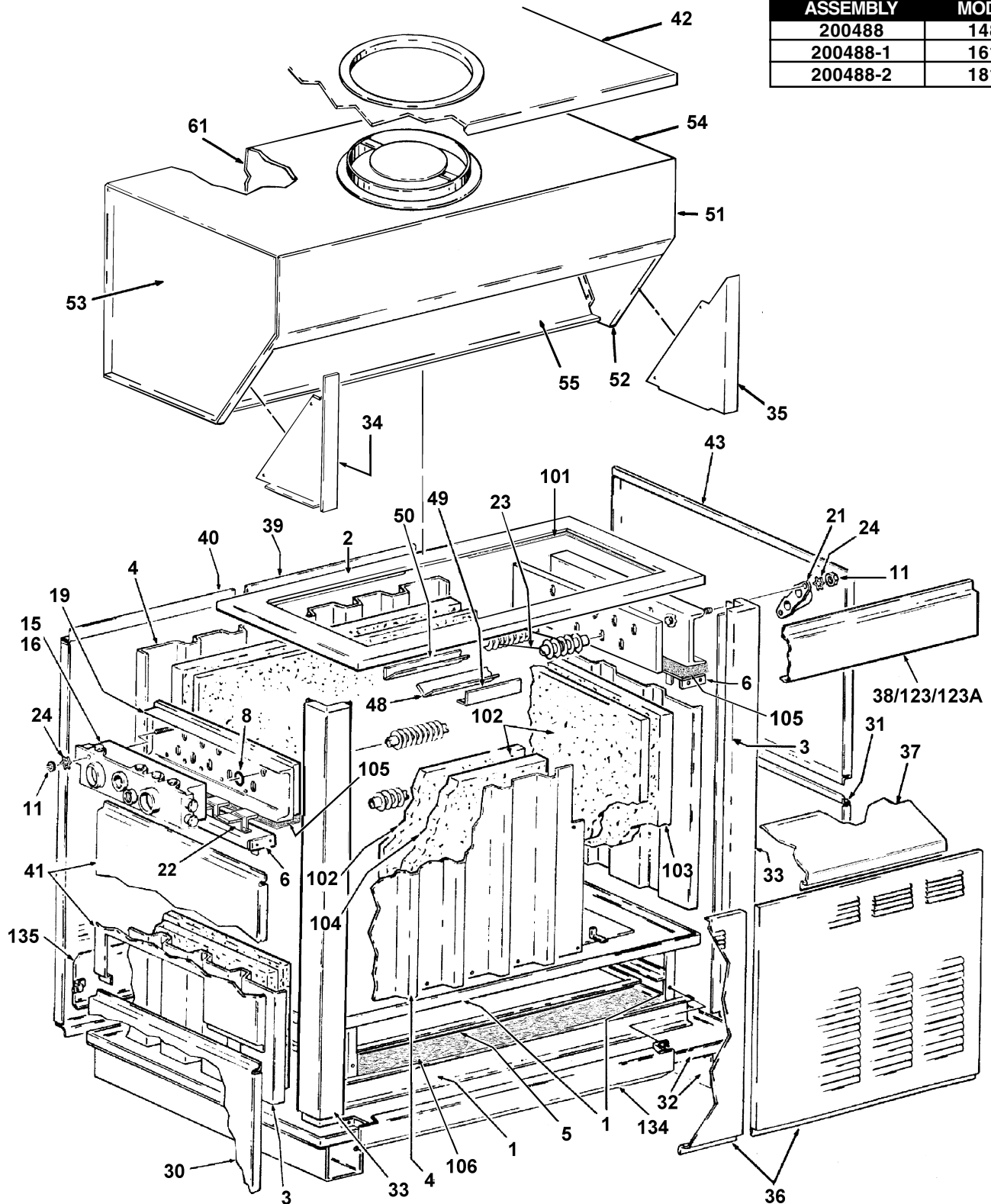
- DB/DW-1480 Thru DB/DW-1810
- Requires 8 Top Tubes/8 Bottom Tubes

NOTE: Top Tubes contain 7 fins per inch,
Bottom Tubes contain 5 fins per inch.

Item # 101: 1/8" DURAMAX INSULATION PAD:

DB/DW-1480	33 Ft.	69227-33
DB/DW-1610	35 Ft.	69227-35
DB/DW-1810	37.5 Ft.	69227-38

DRAFTHOOD ASSEMBLY	MODEL
200488	1480
200488-1	1610
200488-2	1810



MODULATING OPTION SHOWN:

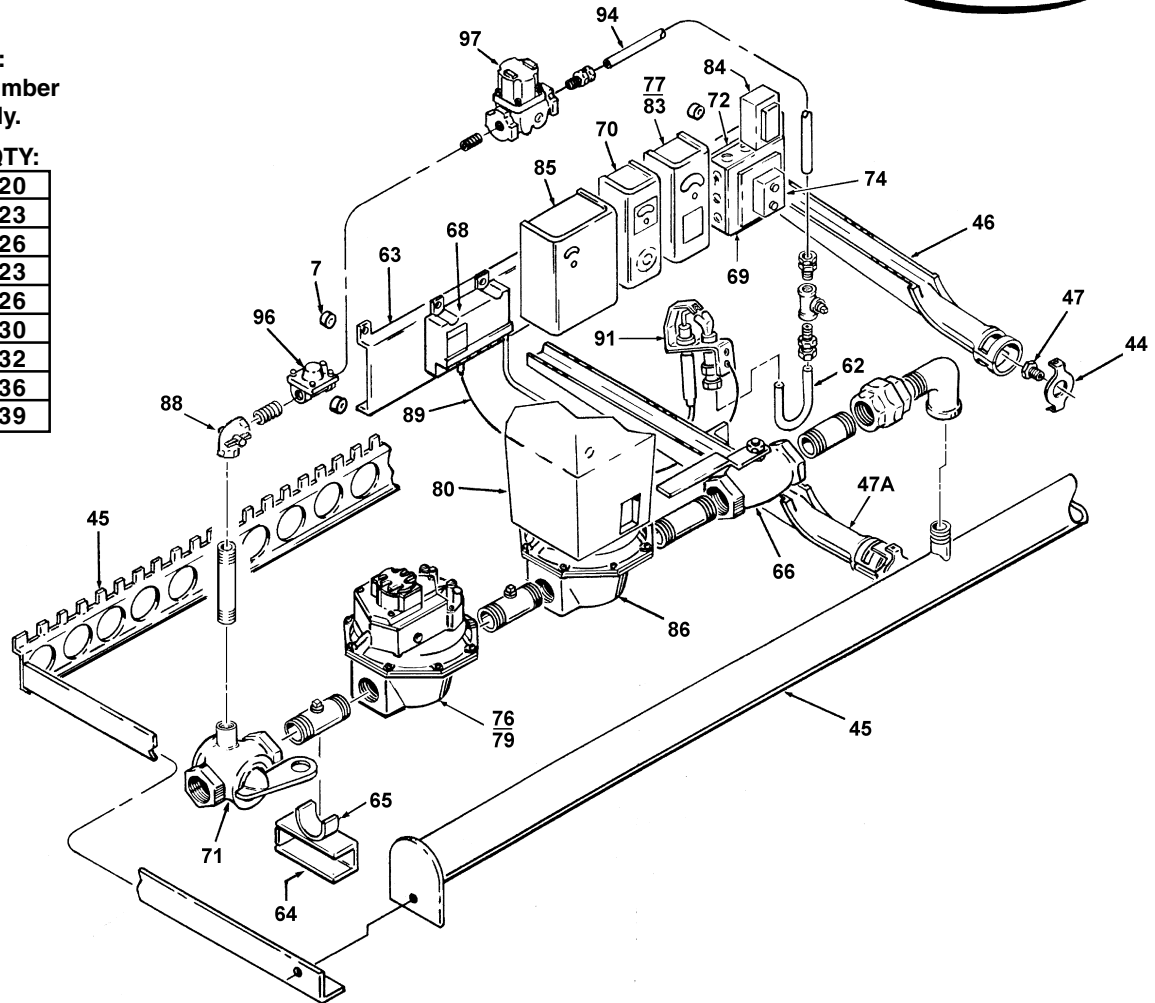
- For MODULATING Models DB/DW 720 thru 1350 refer to *Part One* illustrations & numbering system refer to pages 1-4.
- Models DB/DW 1480 thru 1810 refer to *Part Two* illustrations & numbering system refer to pages 5-8.



BURNER ASSEMBLIES:

*Quantity indicates number of burners in assembly.

MODEL:	QTY:
DB/DW-720	20
DB/DW-840	23
DB/DW-960	26
DB/DW-1080	23
DB/DW-1210	26
DB/DW-1350	30
DB/DW-1480	32
DB/DW-1610	36
DB/DW-1810	39



PART 2 Models DB/DW-1480 THRU 1810

Part numbers underlined are recommended stock items.

ITEM	DESCRIPTION	DM-1480	DM-1610	DM-1810
CHASSIS				
1	CHASSIS BASE FRAME ASSEMBLY	200434	200471	200432
2	CHASSIS TOP FRAME RAIL ASSEMBLY	200722-1	2100722-2	200722-3
3	CORRUGATED CHASSIS END PANELS	200493-1	200493-1	200493-1
4	CORRUGATED CHASSIS SIDE PANELS	200185-6	200185-7	200185-8
5	DRIP TRAY ASSEMBLY	200486	200486-1	200486-2
6	HEAT EXCHANGER CHASSIS SUPPORT	200622-1	200622-1	200622-1
7	INSULATOR	32779-2	32779-2	32779-2
HEAT EXCHANGER				
8	"O" RING SEALS	<u>200133</u>	<u>200133</u>	<u>200133</u>
11	3/8-16 HEX NUT	20099-1	20099-1	20099-1
15	INLET/OUTLET MANIFOLD STANDARD UNITS	200692-1	200692-1	200692-1
16	INLET/OUTLET MANIFOLD MODULATING OR UNITS WITH GAUGES	200692	200692	200692
19	HEAT EXCHANGER	SEE COMPLETE HEAT EXCHANGER TABLE ON PAGE 8		
21	RETURN BENDS	200699-1	200699-1	200699-1
22	HEAT EXCHANGER SUPPORT	200583	200583	200583
23	HEAT EXCHANGER SUPPORT WIRE	200587-21	200587-21	200587-24
 (8 PCS.)		(16 PCS.)	(16 PCS.)
24	SHAKE PROOF WASHER	200366	200366	200366

ITEM	DESCRIPTION	DM-1480	DM-1610	DM-1810
CABINET				
30	BOTTOM LEFT SIDE CABINET PANEL	200409	200409	200409
31	BOTTOM RIGHT SIDE CABINET PANEL	200410	200410	200410
32	CABINET BASE ASSEMBLY	200494	200494-1	200494-2
33	CORNER POSTS	200158-4	200158-4	200158-4
34	DRAFT HOOD FILL IN PANEL (LEFT)	200462	200462	200462
35	DRAFT HOOD FILL IN PANEL (RIGHT)	200461	200461	200461
36	FRONT ACCESS PANEL	200425	200475	200414
37	FRONT INCLINE PANEL	200478	200478-1	200478-2
38	FRONT TOP PANEL	200460	200460-1	200460-2
39	REAR COVER PANEL (LEFT)	200502	200503	200504
40	REAR COVER PANEL (RIGHT)	200426	200474	200413
41	TOP LEFT SIDE CABINET PANEL	200411	200411	200411
42	TOP PANEL ASSEMBLY	200481	200481-1	200481-2
43	TOP RIGHT SIDE CABINET PANEL	200412	200412	200412
BURNER TRAY				
44	BURNER CLIPS	98044	98044	98044
45	BURNER TRAY ASSEMBLY	200466	200473	200516
46	BURNERS STAINLESS STEEL	69509	69509	69509
47	ORIFICES (Sea Level)	29366-31	29366-31	29366-31
47A	BURNER WITH PILOT BRACKET	69510-2	69510-2	69510-2
FLUE COLLECTOR AND DRAFT HOOD				
48	FLUE BAFFLES	200438-4	200438-5	200438-6
49	END FLUE BAFFLE - FRONT	200515-3	200515-4	200515-5
	Left hand water, rear on right hand water units.			
50	END FLUE BAFFLE - REAR	200440-3	200440-4	200440-5
	Left hand water, front on right hand water units.			
51	DRAFT HOOD FRONT SHELF ASSEMBLY	200441	200441-1	200441-2
52	DRAFT HOOD RIGHT SIDE PANEL	200451	200451	200451
53	DRAFT HOOD LEFT SIDE PANEL	200452	200452	200452
54	DRAFT HOOD TOP PANEL ASSEMBLY	200625	200625-1	200625-2
55	FLUE COLLECTOR PANEL	200455	200455-1	200455-2
61	DRAFT HOOD REAR PANEL	200563	200563-1	200563-2
GAS CONTROL				
62	PILOT TUBE	99528-1	99528-1	99528-1
63	CONTROL MOUNTING PANEL	200367	200367	200367
64	CONTROL STRING SUPPORT	200365	200365	200365
65	CONTROL STRING SUPPORT CLIP	200389-1	200389-1	200389-1
66	FIRING VALVE	69010-2	69022-2	69022-2
68	IGNITION MODULE	<u>191182-2</u>	<u>191182-2</u>	<u>191182-2</u>
69a	JUNCTION BOX - DB MODELS	93558	93558	93558
69b	JUNCTION BOX - DW MODELS	200655	200655	200655
69c	JUNCTION BOX COVER - DW MODELS	200660-1	200660-1	200660-1
71	MANUAL VALVE	96479-3	69143	69143
72	THERMAL BALANCER	98190	98190	98190
74a	TRANSFORMER - DB MODELS	69170-10	69170-10	69170-10
74b	TRANSFORMER - DW MODELS	69170-11	69170-11	69170-11
75	WIRING HARNESS	200530	200530	200530
SINGLE STAGE (NOT SHOWN)				
67	REDUNDANT GAS VALVE	78482-2	78482-3	78482-3
76	GAS VALVE	<u>69387</u>	<u>69386</u>	<u>69386</u>
77	CONTROL COMBINATION HIGH LIMIT	<u>192403</u>	<u>192403</u>	<u>192403</u>
77A	THERMOWELL	95545-1	95545-1	95545-1
DUAL STAGE (NOT SHOWN)				
67	REDUNDANT GAS VALVE	78482-2	78482-3	78482-3
70	MANUAL RESET HIGH LIMIT	<u>200164</u>	<u>200164</u>	<u>200164</u>
70A	THERMOWELL	69039-1	69039-1	69039-1
78	DUAL LIMIT	<u>97474-1</u>	<u>97474-1</u>	<u>97474-1</u>
79	GAS VALVE	<u>69390</u>	<u>69389</u>	<u>69389</u>

ITEM	DESCRIPTION	DM-1480	DM-1610	DM-1810
MODULATING				
76	GAS VALVE	69387	69386	69386
80	ACTUATOR	69164	69164	69164
83	CONTROL COMBINATION HIGH LIMIT	192403	192403	192403
83A	THERMOWELL	95545-1	95545-1	95545-1
84	SPST RELAY	69418	69418	69418
85	TEMPERATURE CONTROL-DB	69165-1	69165-1	69165-1
85	TEMPERATURE CONTROL-DW	69215-1	69215-1	69215-1
85A	THERMOWELL	69217	69217	69217
86	VALVE BODY	99860-2	99860-3	99860-3
PILOT ASSEMBLY				
88	VALVE-PILOT 90°	200683	200683	200683
89	GROUND WIRE	<u>170889-69</u>	<u>170889-69</u>	<u>170889-69</u>
91	PILOT ASSEMBLY	210871-2	210871-2	210871-2
94	PILOT TUBE (ALUMINUM)	<u>1417-60</u>	<u>1417-60</u>	<u>1417-60</u>
96	REGULATOR	99382	99382	99382
97	SOLENOID VALVE	77782-3	77782-3	77782-3
INSULATION KITS (w/o *Flue Collector and *Heat Exchanger Insulation).				
	210045-6	210045-6	210045-7	210045-8
*101	FLUE COLLECTOR INSULATION	69227-1(33)	69227-1(35)	69227-1(38)
102	INSULATION - HIGH TEMP. BOARD	200239-9(2)	200239-9(2)	200239-9(2)
	INSULATION - HIGH TEMP. BOARD	200239-10(2)	200239-11(2)	200239-12(2)
	INSULATION - HIGH TEMP. BOARD	200240-2(2)	200240-2(2)	200240-2(2)
103	INSULATION - LOW TEMP. END BOARD	200238-2(2)	200238-2(2)	200238-2(2)
104	INSULATION - LOW TEMP. SIDE BOARD	210044-10(2)	210044-11(2)	210044-12(2)
	INSULATION - LOW TEMP. SIDE BOARD	210044-9(2)	210044-9(2)	210044-9(2)
*105	HEAT EXCHANGER INSULATION (2 Required)	69294-3	69294-3	69294-3
106	INSULATION	210550-6	210550-7	210550-8
GAUGE PACKAGE				
123	GAUGE PANEL (Left Hand Water)	200568	200568-1	200568-2
123A	GAUGE PANEL (Right Hand Water)	200568-3	200568-4	200568-5
124	PRESSURE GAUGE	5120	5120	5120
125	TEMPERATURE GAUGE	5119	5119	05119
RELIEF VALVE				
126	HOT WATER SUPPLY BOILER (DW) - 125psi	98883-3	98883-3	98883-3
127	HOT WATER HEATING BOILER (DB) - 50psi	210451-2	210451-2	210451-2
MISCELLANEOUS/OPTIONAL				
129	DRAIN VALVE	26273-5	26273-5	26273-5
133	FLOW SWITCH	211480	211480	211480
134	HEAT SHIELD - FRONT ASSEMBLY	200487	200487-1	200487-2
135	HEAT SHIELD - REAR ASSEMBLY	200477	200477-1	200477-2
136	INSTALLATION MANUAL	211171	211171	211171
139	THERMOMETERS	93042	93042	93042
140	USER MANUAL	200378-1	200378-1	200378-1
141	LOW WATER CUTOFF	99915-1	99915-1	99915-1
142	THERMAL BALANCE	98190	98190	98190
143	SWITCH ON/OFF	200581	200581	200581

* Feet of insulation required.

Part numbers underlined are recommended stock items.

HEAT EXCHANGER TABLE

PART NO:	USAGE:	PART NO:	USAGE:	PART NO:	USAGE:
200686-1	DB/DW-720, COPPER	200693-3	DB/DW-1480, COPPER	210617	DB/DW-1080, CUPRA NICKEL
200686-2	DB/DW-840, COPPER	200693-4	DB/DW-1610, COPPER	210617-1	DB/DW-1210, CUPRA NICKEL
200686-3	DB/DW-960, COPPER	200693-5	DB/DW-1810, COPPER	210617-2	DB/DW-1350, CUPRA NICKEL
200693	DB/DW-1080, COPPER	210616	DB/DW-720, CUPRA NICKEL	210617-3	DB/DW-1480, CUPRA NICKEL
200693-1	DB/DW-1210, COPPER	210616-1	DB/DW-840, CUPRA NICKEL	210617-4	DB/DW-1610, CUPRA NICKEL
200693-2	DB/DW-1350, COPPER	210616-2	DB/DW-960, CUPRA NICKEL	210617-5	DB/DW-1810, CUPRA NICKEL



A.O. SMITH
WATER PRODUCTS
COMPANY
 PSD / Alsip, IL

A.O. SMITH WATER PRODUCTS CO., INC.
 5621 W. 115TH STREET • ALSIP, ILLINOIS 60803
 PHONE: 1-800-433-2545 • FAX: 1-800-433-2515
 Website: WWW.HOTWATER.COM • EMAIL: PARTS@HOTWATER.COM