

# A.O. SMITH

## WATER PRODUCTS COMPANY

PSD-1-300

# GAS

RESIDENTIAL WATER HEATERS

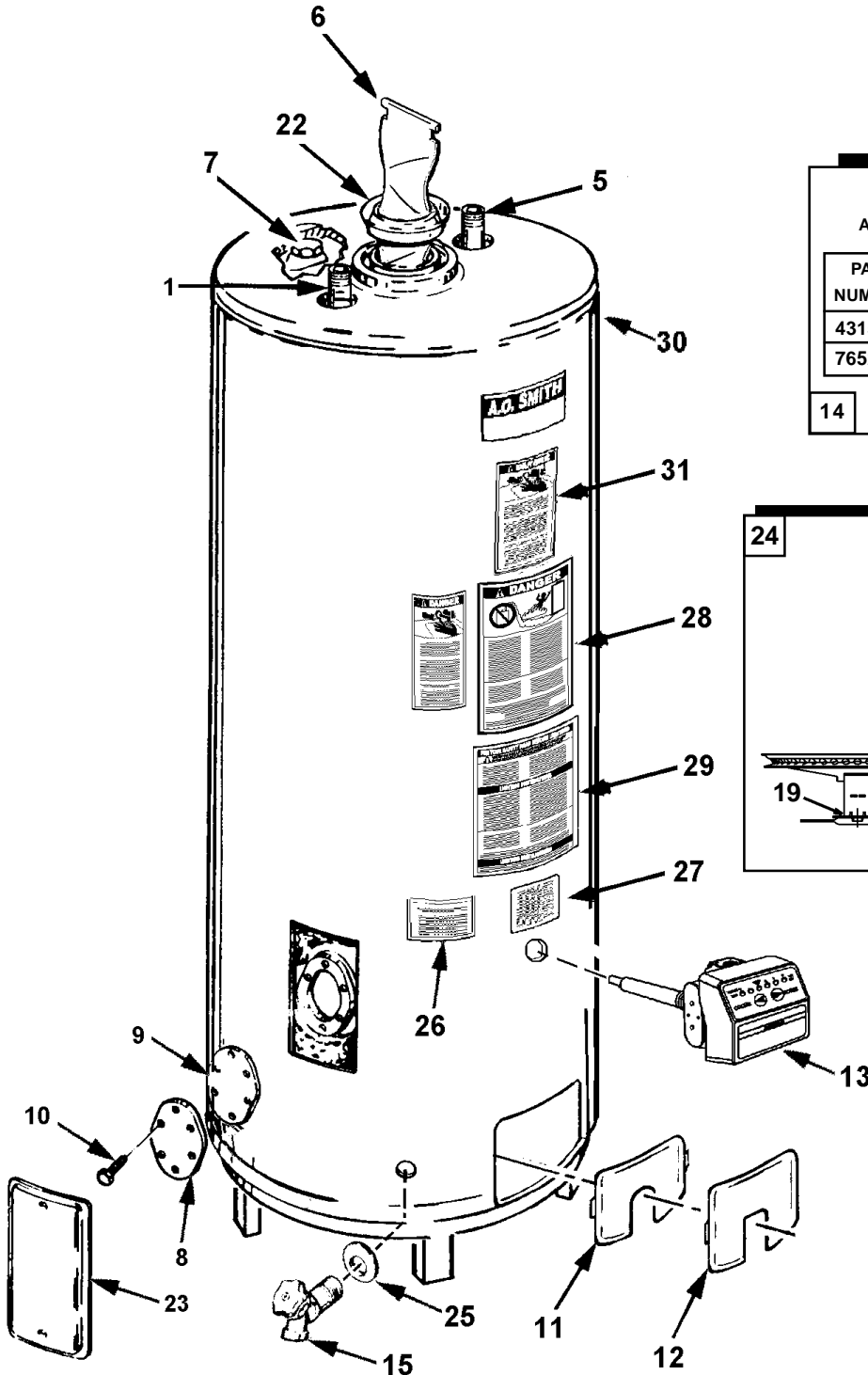
### REPLACEMENT PARTS LIST

MODELS FCGH - 75 & 100

SERIES 270

MODELS PGCH 75 & 100

SERIES 270



**3/4" T&P RELIEF VALVE**  
AUTOMATIC, SELF-CLOSING TYPES

PART NUMBER	PRESS	A =	TEMP RELIEF
43151-2	150 LBS.	4 1/2"	210°
76527-3	150 LBS.	3 11/16"	210°

14

**24 STAMPED STEEL BURNER ASS'Y**

**4 BLOWER ASSEMBLY**

**A.O. SMITH WATER PRODUCTS CO., INC.**

5621 W. 115TH STREET • ALSIP, ILLINOIS 60803

Phone: 1-800-433-2545 • Fax: 1-800-433-2515

Website: [www.hotwater.com](http://www.hotwater.com) • E-mail: [parts@hotwater.com](mailto:parts@hotwater.com)

Item #	Description	FCGH75 270	PGCH75 270	FCGH100 270	PGGH100 270
1	Pipe Nipple	194139-1	194139-1	194135-1	194135-1
2	Burner	194723	194723	194723	194723
3	Igniter/Flame Sensor	<u>195371</u>	<u>195371</u>	<u>195371</u>	<u>195371</u>
4	Blower	194053	194053	194053	194053
5	Inlet Tube	194891	194891	194891-1	194891-1
6	Flue Baffle Assembly	195777	195777	195777	195777
7	Anode Rod, Aluminum Alloy	<u>183523-36</u>	<u>183523-36</u>	<u>183523-48</u>	<u>183523-48</u>
8	Cleanout Cover	99037	99037	99037	99037
9	Cleanout Gasket	99038	99038	99038	99038
10	Cleanout Screw	69852-1	69852-1	69852-1	69852-1
11	Inner Door	39923	39923	39923	39923
12	Outer Door	39112-1	39112-1	39112-1	39112-1
13	Gas Valve, Natural Gas	<u>183760-2</u>	<u>183760-2</u>	<u>183760-2</u>	<u>183760-2</u>
14	T & P Relief Valve	<u>43151-2</u>	<u>43151-2</u>	<u>43151-2</u>	<u>43151-2</u>
15	Drain Valve	26273-7	26273-7	26273-7	26273-7
16*	Wire Harness	183506-2	183506-2	183506-2	183506-2
17	Igniter Bracket	195710	195710	195710	195710
18	Burner Tube	194602-1	194602-1	194602-2	194602-2
19	Orifice	181508-17	181508-17	181508-9	181508-9
20*	Manual	183699-1	183699-1	183699-1	183699-1
21	Blower Gasket	194211	194211	194211	194211
22	Flue Restrictor	35405	35405	35405	35405
23	Front Cover	181260-230	181260-230	181260-230	181260-230
24	Burner Assembly, Natural Gas	195711-1	195711-1	195711	195711
25	Pipe Collar	20172-21	20172-21	20172-21	20172-21

**LABELS**

26	Label - California	42985	42985	42985	42985
27	Label - Warning, Bi-Lingual	194327	194327	194327	194327
28	Label - Flammable Vapor/Scaald	183301	183301	183301	183301
29	Label - Lighting & Operating	183764	183764	183764	183764
30	Label - Relief Valve	191068	191068	191068	191068
31	Label - Temperature	182734	182734	182734	182734

**SMR S19 Magnesium Anode**

7	Anode Rod, Magnesium	183463-39	-----	183463-48	-----
---	----------------------	-----------	-------	-----------	-------

\* Not Illustrated. Part numbers underlined are recommended stock items.

**A. O. SMITH**  
**WATER PRODUCTS**  
**COMPANY**

**A.O. SMITH WATER PRODUCTS CO., INC.**  
5621 W. 115TH STREET • ALSIP, ILLINOIS 60803  
Phone: 1-800-433-2545 • Fax: 1-800-433-2515  
Website: www.hotwater.com • E-mail: parts@hotwater.com