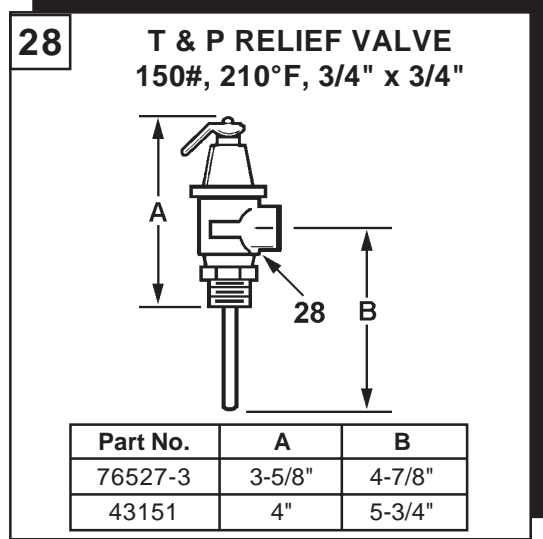
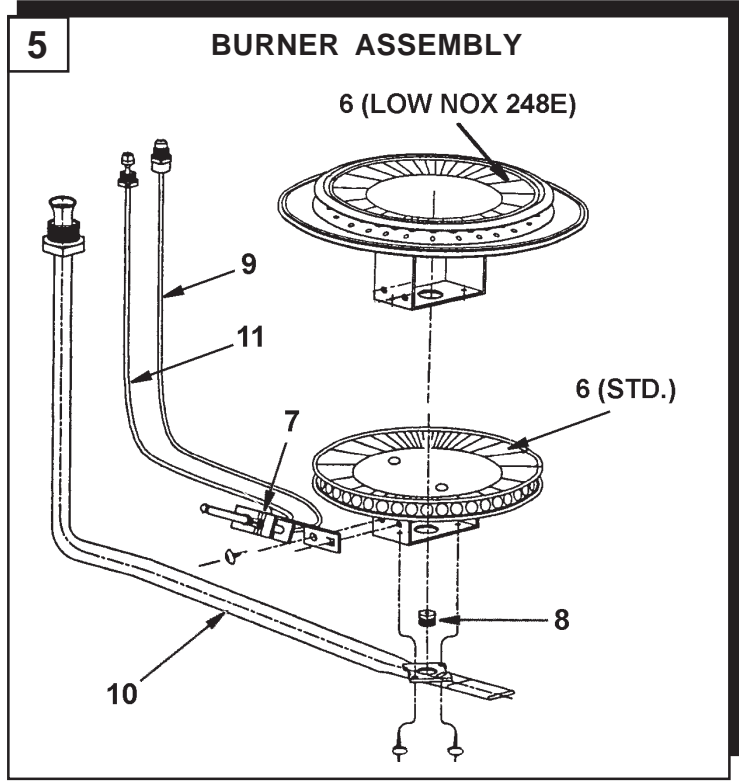
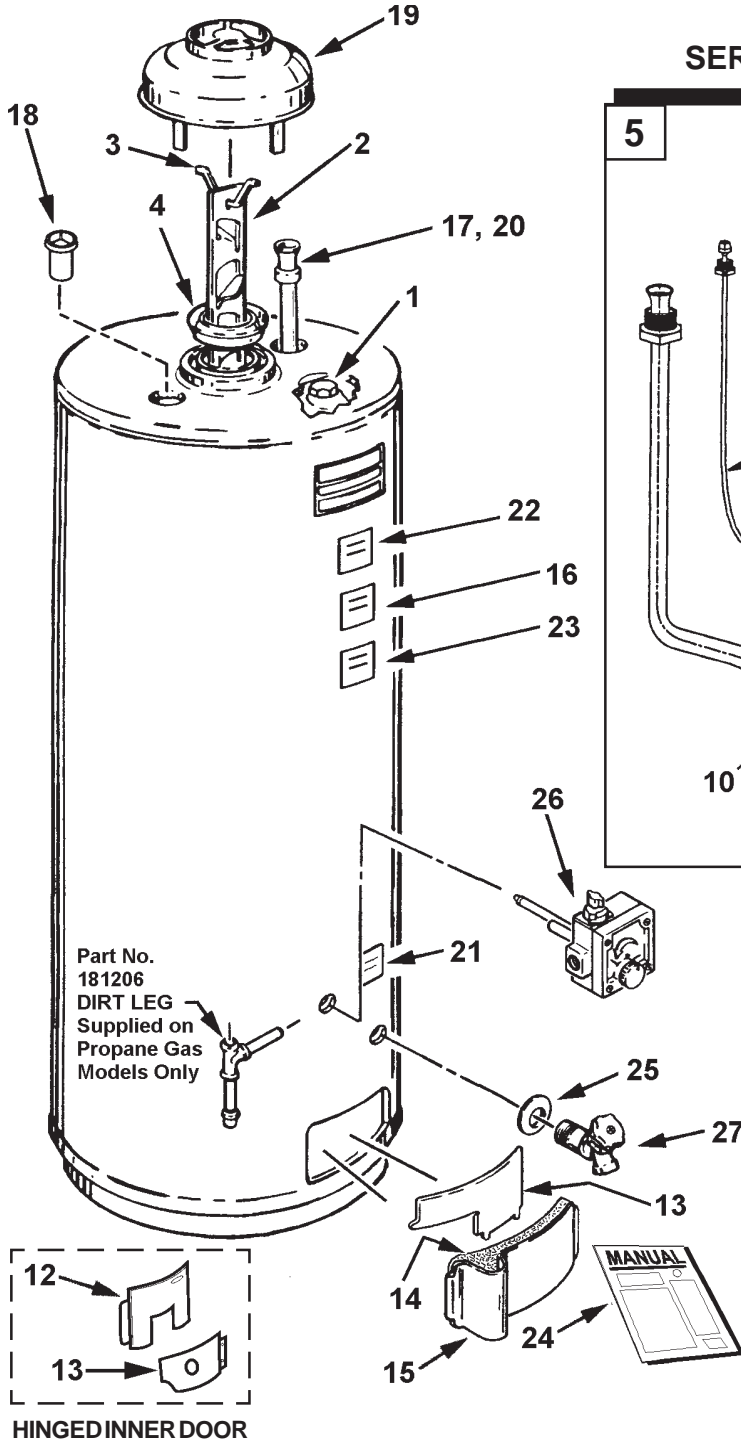


A. O. SMITH

WATER PRODUCTS COMPANY

PSD-1-298
GAS

RESIDENTIAL WATER HEATER PARTS LIST
MODELS PGX 30, 40, 50
PGXH 30, 40, 50
PGR 30, 40, 50
PGXL 30, 40
SERIES 246 THRU 249 (INCLUDING 248 E)



A. O. SMITH WATER PRODUCTS COMPANY

5621 W. 115TH STREET • ALSIP, ILLINOIS 60803

PHONE: 1-800-433-2545 • FAX: 1-800-433-2515

Website: www.aosmithwaterheaters.com • E-mail: parts@hotwater.com

Item	Description	PGXL 30(T)	PGXL 30(T)	PGXL 30(T)	PGXL 40(T)	PGXL 40(T)	PGXL 40(T)
		246	248	248E	246/247	248/249	248E
1	Anode, Magnesium Alloy	183463-32	183463-32	183463-32	183463-35	183463-35	183463-35
2	Baffle, Flue	181589-1	181589-1	181589-1	181589-1	181589-1	181589-1
3	Baffle, Hanger	181360	181360	181360	181360	181360	181360
4	Restrictor, Flue	34894-1	34894-1	34894-1	34894-1	34894-1	34894-1
BURNER ASSEMBLY							
5	Burner Assembly, Natural Gas	182725-17	182725-17	183511-1	182725-31	182725-31	183511-3
5	Burner Assembly, Propane Gas				182725-32	182725-32	
6	Burner, Main - Natural	182730	182730	183504	182730	182730	183504
6	Burner, Main - Propane				182730	182730	
7	Burner Ass'y., Pilot - Natural						
	(includes items 9 & 11)	<u>182729-4</u>	<u>182729-4</u>	<u>182729-4</u>	<u>182729-4</u>	<u>182729-4</u>	<u>182729-4</u>
7	Burner Ass'y., Pilot - Propane						
	(includes items 9 & 11)				<u>182729-5</u>	<u>182729-5</u>	
8	Orifice, Main Burner - Natural	181508-32	181508-32	181508-31	181508-31	181508-31	181508-31
8	Orifice, Main Burner - Propane				181791-50	181791-50	
9	Thermocouple	23673	23673	23673	23673	23673	23673
10	Tube, Main Burner - Natural	182727-1	182727-1	182727-1	182727-3	182727-3	182727-3
10	Tube, Main Burner - Propane				182728-3	182728-3	
11	Tube, Pilot	23925-20	23925-20	23925-20	23925-20	23925-20	23925-20
DOOR ASSEMBLIES							
12	Filler, Inner Door	182073-1			182073-1		
13	Inner Door Assembly	181667	183491	183491	181667	183491	183491
14	Insulation Pad, Outer Door	183257			183257		
15	Outer Door	180522	180522	180522	180522	180522	180522
16	Flammable Vapor/Scald						
	Warning Label	183300	183300	183300	183300	183300	183300
17	Heat Trap, Inlet Tube, PP						
	(used on "T" models only)	183352-26	183352-26	183352-26	183352-26	183352-26	183352-26
18	Heat Trap, Outlet						
	(used on "T" models only)	183360	183360	183360	183360	183360	183360
19	Hood, Draft	181082	181082	181082	181082	181082	183166
20	Inlet Tube, PP	183352-26	183352-26	183352-26	183352-26	183352-26	183352-26
21	Label, L & O Instruction	182964	182798	182798	182964	182798	182798
22	Label, Relief Valve	180078	180078	180078	180078	180078	180078
23	Label, Temperature	182734	182734	182734	182734	182734	182734
24	Owner's Manual		183552	183552		183552	183552
25	Pipe Collar	20172-21	20172-21	20172-21	20172-21	20172-21	20172-21
26	Thermostat - Natural	<u>23736</u>	<u>182791</u>	<u>182791</u>	<u>23736</u>	<u>182791</u>	<u>182791</u>
26	Thermostat - Propane				<u>182792</u>	<u>182792</u>	
27	Valve, Drain - Brass				26273-4	26273-4	26273-4
27	Valve, Drain - Plastic	42037	42037	42037	42037-1	42037-1	42037-1
28	Valve, T & P	76527-3	76527-3	76527-3	76527-3	76527-3	76527-3

* Not illustrated.

NOTE: Underlined parts are recommended stock items for emergency replacement.
Consider gas used in your area only.



A. O. SMITH WATER PRODUCTS COMPANY
5621 W. 115TH STREET • ALSIP, ILLINOIS 60803
PHONE: 1-800-433-2545 • FAX: 1-800-433-2515

Website: www.aosmithwaterheaters.com • E-mail: parts@hotwater.com