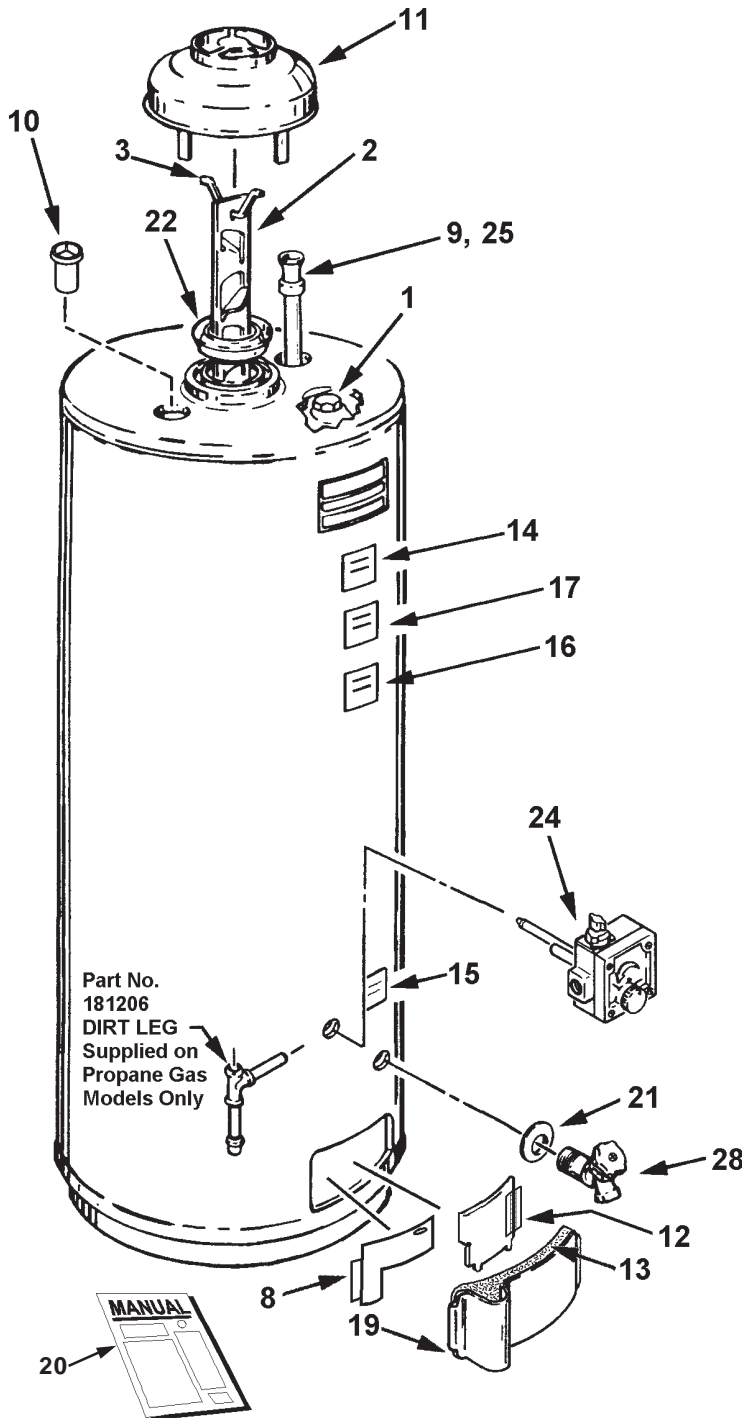
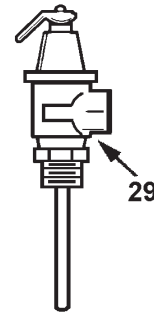


RESIDENTIAL WATER HEATER PARTS LIST  
 MODELS FSG - 30 (T), 40 (T), 50 (T)  
 FSGH - 30 (T), 40 (T), 50 (T)  
 FGR - 30 (T), 40 (T), 50 (T)  
 FSGL - 30 (T), 40 (T)  
 SERIES 242 (D), 243 (D)



**T & P RELIEF VALVE**



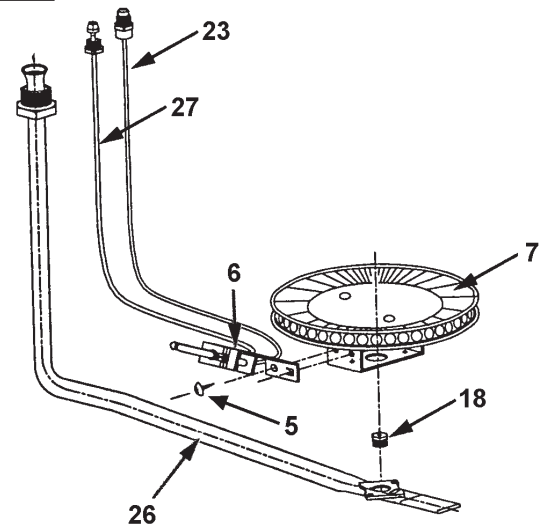
**AUTOMATIC (SELF-CLOSING) TYPE**

PRESS.	*TYPE	SIZE	TEMP RELIEF
150lbs.	T & P	3/4" X 3/4"	210°

Part No. 76527-3

**4**

**BURNER ASSEMBLY**



**A.O. SMITH WATER PRODUCTS COMPANY**

5621 W. 115TH STREET • ALSIP, ILLINOIS 60803

PHONE: 1-800-433-2545 • FAX: 1-800-433-2515

www.aosmithwaterheaters.com • E-mail: parts@hotwater.com

