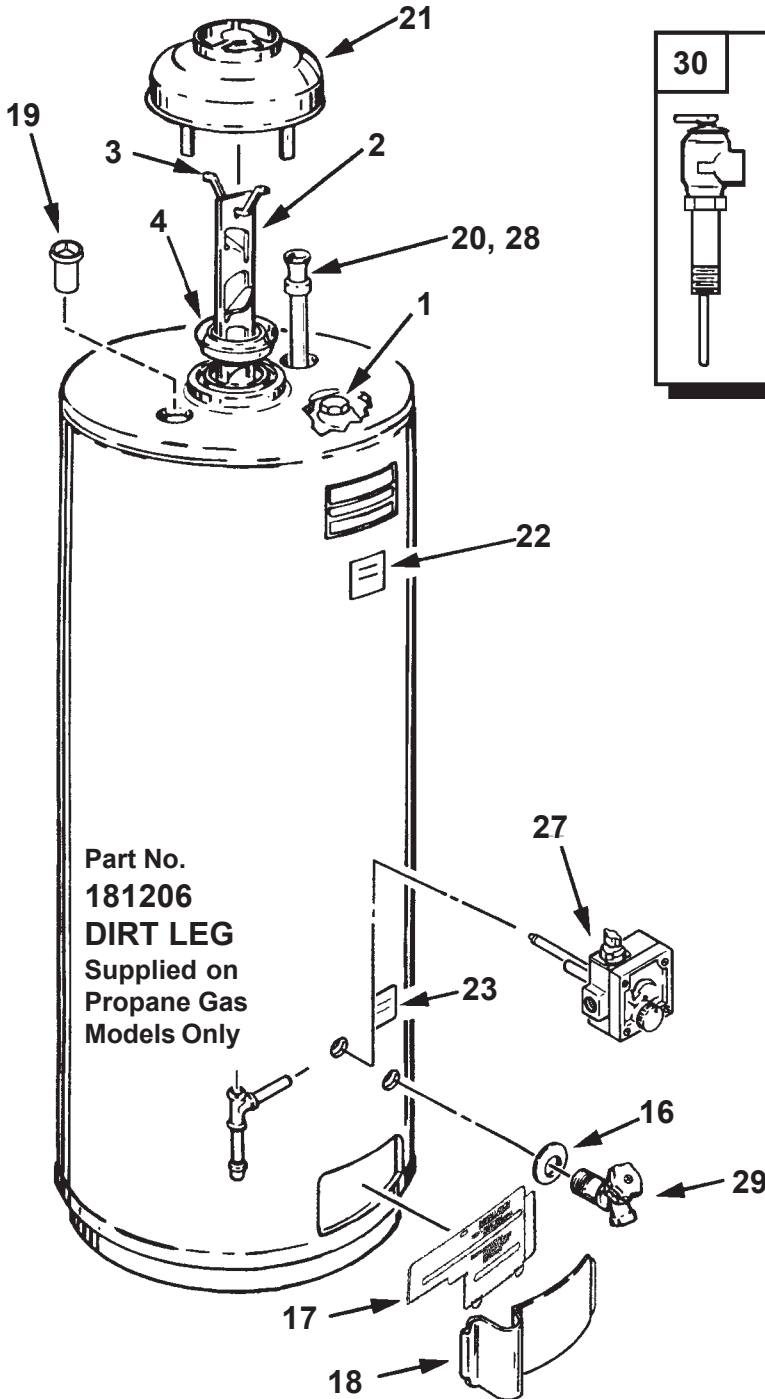


# A.O. SMITH WATER PRODUCTS COMPANY

PSD-1-294  
**GAS**

RESIDENTIAL WATER HEATER PARTS LIST  
MODELS FCG- 30, 40, 50  
FCGL- 30, 40  
PGCL- 40  
SERIES: 248/248E/249



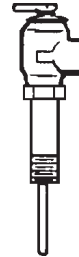
30

## RELIEF VALVE

AUTOMATIC (SELF CLOSING) TYPE

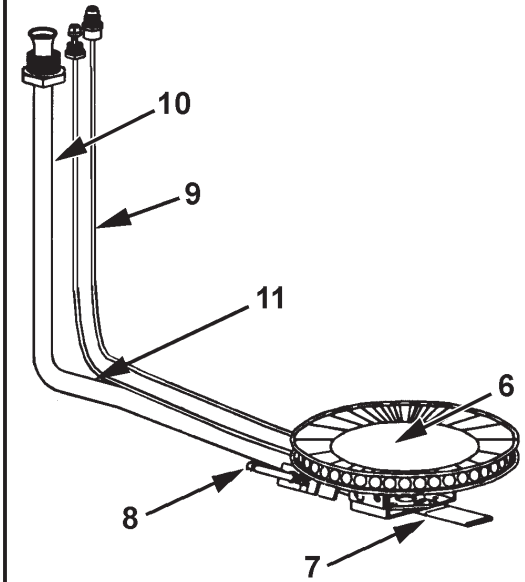
PRESS.	*TYPE	SIZE	TEMP RELIEF
150 lbs.	T & P	3/4" X 3/4"	210°

\*Temperature & Pressure



5

## BURNER ASSEMBLY



**A.O. SMITH**  
WATER PRODUCTS  
COMPANY

**A.O. SMITH WATER PRODUCTS COMPANY**

5621 W. 115TH STREET • ALSIP, ILLINOIS 60803

PHONE: 1-800-433-2545 • FAX: 1-800-433-2515

Website: [www.hotwater.com/parts](http://www.hotwater.com/parts) • EMAIL: [parts@hotwater.com](mailto:parts@hotwater.com)

Item	Description	FCG-30	FCG-40	FCG-50	FCGL-30	FCGL-40	PGCL-40
		248/249	248/249	248/249	248/249	248/249	248
1	Anode	183523-23	183523-26	183523-29	183523-23	183523-26	183463-35
	.... BAFFLE						
2	Baffle, Flue	182793	182794	181589	181589-1	181589-1	181589-1
3	Baffle, Hanger	181360	181360	181360	181360	181360	181360
4	Restrictor, Flue	- - - -	34894	34894	34894	34894	34894
5	BURNERASS'Y, MAIN-NAT						
5	Series 248 Only	182725-42	182725-17	182725-4	182725-17	182725-31	182725-24
5	BURNER ASS'Y, MAIN-PROP.						
5	Series 249 Only	182725-43	182725-45	182725-5	182725-28	182725-32	- - - -
6	Burner, Main-Nat.	182730	182730	182730	182730	182730	182730
6	Burner, Main-Prop.	182730	182730	182730	182730	182730	- - - -
7	Orifice, Main-Nat.	181508-31	181508-32	181508-31	181508-32	181508-31	181508-31
7	Orifice, Main-Prop.	181791-50	181791-175	181791-50	181791-50	181791-50	- - - -
8	BURNERASS'Y, PILOT-NAT.						
8	Series 248 Only	182729-7	182729-4	182729-4	182729-4	182729-4	182729-10
8	BURNERASS'Y, PILOT-PROP.						
8	Series 249 Only	182729-9	182729-5	182729-5	182729-5	182729-5	- - - -
9	Thermocouple	23675	23675	23675	23675	23675	23675
10	TUBE, MAINBURNER-NAT.						
10	Series 248 Only	182727	182727-1	182727-3	182727-1	182727-3	182727-4
10	TUBE, MAINBURNER-PROP.						
10	Series 249 Only	182728	182728-1	182728-3	182728-1	182728-3	- - - -
11	Tube, Pilot	23925-20	23925-20	23925-20	23925-20	23925-20	32925-20
16	Collar, Pipe	20172-21	20172-21	20172-21	20172-21	20172-21	20172-21
	.... DOOR						
17	Inner	183491	183491	183491	183491	183491	183491
18	Outer	180522-700	180522-700	180522-700	180522-700	180522-700	180522-700
19	Heat Trap-Outlet, "T" Models Only	183360	183360	183360	183360	183360	183360
20	Heat Trap-Inlet, "T" Models Only	183356-40	183356-40	183356-39	183356-32	183356-30	- - - -
21	Hood, Draft	181082-700	181082-700	181082-700	181082-700	181082-700	181082-700
	.... LABEL						
22	Flammable Vapor/Scalding Label	183300	183300	183300	183300	183300	183300
23	Lighting & Operating	182798	182798	182798	182798	182798	182798
25	*Manual, Instruction	183522	183522	183522	183522	183522	183522
	.... THERMOSTAT						
27	Nat.	182791	182791	182791	182791	182791	182791-2
27	Prop.	182792	182792	182792	182792	182792	- - - -
28	Tube, Inlet	183358-40	183358-40	183358-39	183358-32	183358-30	183356-30
29	Valve, Drain	26273-5	26273-5	26273-5	26273-5	26273-5	26273-4
30	Valve, T & P	76527-3	76527-3	76527-3	76527-3	76527-3	43151-2
	.... <b>SMR S19</b>						
1	Anode	183463-23	183463-23	183463-26	183463-19	183463-23	183463-35
28	Tube, Inlet	183358-40	183358-40	183358-39	183358-32	183358-30	183356-30
	.... <b>SMR K32-249 SERIES</b>						
1	Anode	183463-23	183463-23	183463-29	183463-19	183463-23	- - - -
5	BURNERASS'Y, MAIN-PROP.	182725-47	182725-49	182725-7	182725-30	182725-33	- - - -
7	Burner Ass'y, Pilot-Prop.	182729-9	182729-5	182729-5	182729-9	182729-5	- - - -
8	Orifice, Main-Prop.	181791-53	181791-53	181791-51	181791-53	181791-51	- - - -
	.... <b>SMR K32-248 SERIES</b>						
1	Anode	183463-23	183463-23	183463-29	183463-19	183463-23	183463-35
5	BURNERASS'Y, MAIN-NAT.	182725-46	182725-48	182725-6	182725-29	182725-21	182725-26
7	Burner Ass'y, Pilot-Nat.	182729-7	182729-6	182729-6	182729-8	182729-6	182729-2
8	Orifice, Main-Nat.	181508-34	181508-34	181508-32	181508-32	181508-32	181508-32
	.... <b>MOOL010000 (Low-Nox)</b>						
5	BURNERASS'Y, MAIN-NAT	183686	183686-1	183511-3	183511-1	183511-3	- - - -
7	Burner Ass'y, Pilot-Nat.	182729-7	182729-4	182729-4	182729-4	182729-4	- - - -
8	Orifice, Main-Nat.	181508-32	181508-32	181508-31	181508-31	181508-31	- - - -

"T" Identifies Heat Trap Models.

NOTE: Underlined parts are recommended stock items for emergency replacement.

\*Not illustrated.

Consider gas used in your area only.



**A.O. SMITH WATER PRODUCTS COMPANY**  
 5621 W. 115TH STREET • ALSIP, ILLINOIS 60803  
 PHONE: 1-800-433-2545 • FAX: 1-800-433-2515

Website: [www.hotwater.com](http://www.hotwater.com) • Email: [parts@hotwater.com](mailto:parts@hotwater.com)