

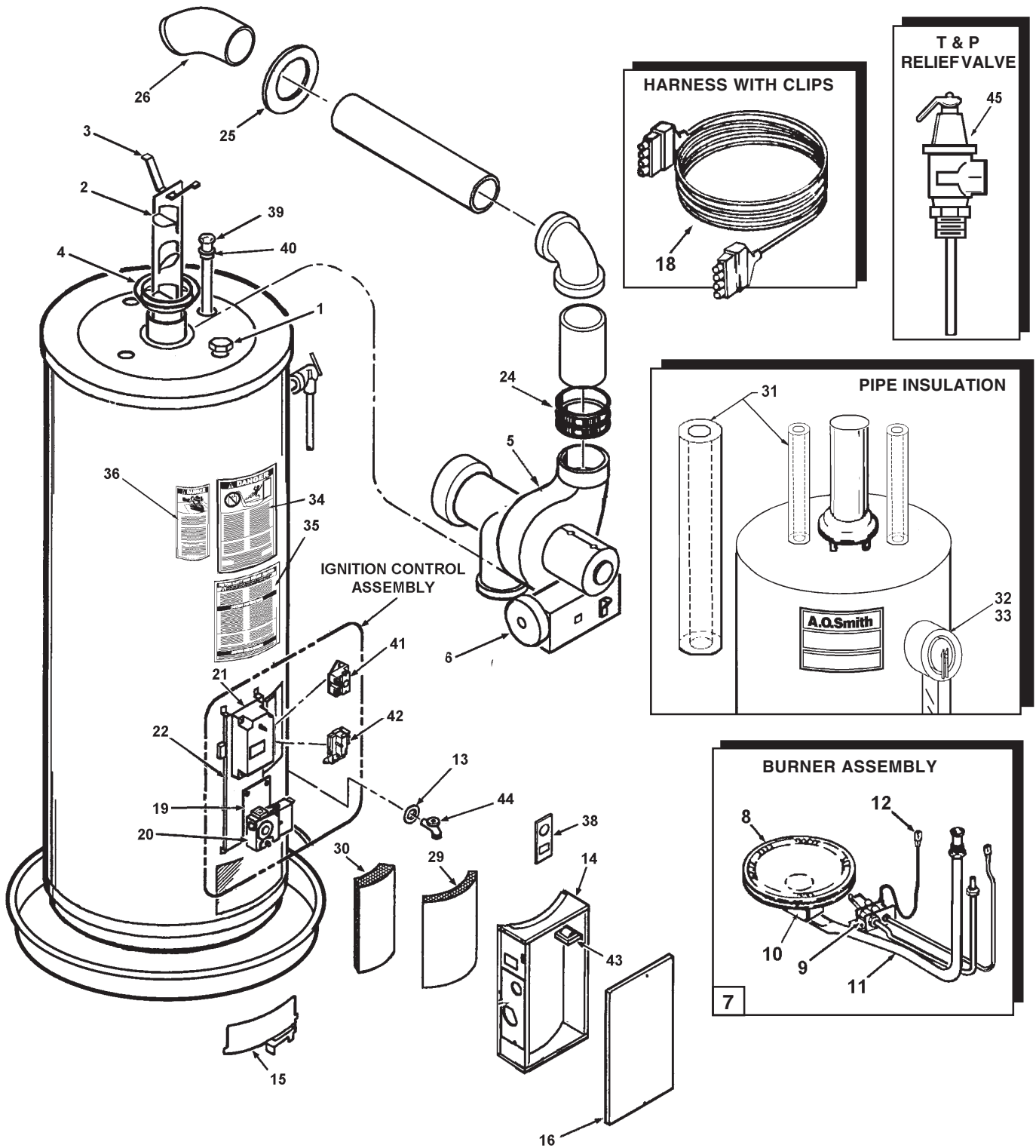
# A.O. SMITH

## WATER PRODUCTS COMPANY

PSD-1-287

# GAS

RESIDENTIAL WATER HEATER PARTS LIST  
MODELS FPSH - 40 & 50,  
SERIES 236 & 237



A.O. SMITH WATER PRODUCTS CO., INC.

5621 W. 115TH STREET • ALSIP, ILLINOIS 60803

PHONE: 1-800-433-2545 • FAX: 1-800-433-2515

Website: [www.hotwater.com](http://www.hotwater.com) • EMAIL: [parts@hotwater.com](mailto:parts@hotwater.com)

<i>Item Description</i>	<i>FPSH</i>	<i>FPSH</i>
	<i>40</i>	<i>50</i>
	<i>236/237</i>	<i>236/237</i>
1 Anode - Aluminum (.750" dia) Standard Models .....	43817-29 .....	43817-29
1 Anode - Magnesium (.750" dia) Optional .....	43816-29 .....	43816-29
1 Anode - Aluminum (.840" dia) Optional .....	180618-29 .....	180618-29
1 Anode - Magnesium (.840" dia) Optional .....	29109-29 .....	29109-29
<b>BAFFLE</b>		
2 Baffle, Flue .....	181382 .....	181382
3 Hanger, Flue Baffle .....	181360 .....	181360
4 Restrictor, Flue Baffle .....	183142 .....	183142
5 Blower, Assembly .....	<u>183259</u> .....	<u>183259</u>
6 Switch, Air Pressure .....	<u>21216</u> .....	<u>21216</u>
7 <b>BURNER ASSEMBLY - NATURAL - Series 236</b> .....	183007 .....	183007-1
7 <b>BURNER ASSEMBLY - PROPANE - Series 237</b> .....	183007-2 .....	183007-3
8 Burner, Main - Natural/Propane .....	182730 .....	182730
9 Ignitor, Pilot Assembly - Natural .....	<u>183014</u> .....	<u>183014</u>
9 Ignitor, Pilot Assembly - Propane .....	<u>183014-1</u> .....	<u>183014-1</u>
10 Orifice, Main - Natural .....	<u>181508-30</u> .....	<u>181508-30</u>
10 Orifice, Main - Propane .....	181791-49 .....	181791-49
11 Tube, Main Burner - Natural .....	182592-9 .....	182592-8
11 Tube, Main Burner - Propane .....	182593-9 .....	182593-8
12 Wire, Ground .....	<u>181736-2</u> .....	<u>181736-2</u>
13 Collar, Pipe .....	20172-21 .....	20172-21
<b>DOOR</b>		
14 Assembly, Frame .....	182716-6 .....	182716-6
15 Inner .....	180596 .....	180596
16 Outer .....	181943 .....	181943
17 *Dirt Leg Assembly, Propane .....	181206-1 .....	181206-1
18 Harness w/Clips .....	183260 .....	183260
<b>IGNITION CONTROL ASSEMBLY - NAT - Ser. 236</b> .....	183261 .....	183261
<b>IGNITION CONTROL ASSEMBLY - PROP - Ser. 237</b> ....	183262 .....	183262
19 Bracket, Gas Valve - Natural .....	181898 .....	181898
19 Bracket, Gas Valve - Propane .....	182194 .....	182194
20 Gas Valve Assembly - Natural .....	<u>181950</u> .....	<u>181950</u>
20 Gas Valve Assembly - Propane .....	<u>182192</u> .....	<u>182192</u>
21 Module, Ignition .....	<u>193325</u> .....	<u>193325</u>
22 Plate, Mounting .....	182261 .....	182261
23 *Wiring Harness .....	183239 .....	183239
<b>INSTALLATION ENVELOPE - Series 236/237</b> .....	183277 .....	183277
24 Coupling w/Clamps .....	182933 .....	182933
25 Plate, Wall .....	182787 .....	182787
26 Vent Assembly .....	183006 .....	183006
27 *Insert Sheet .....	181638 .....	181638
28 *Instruction Manual .....	182789 .....	183097
29 Insulation, Barrier .....	181759 .....	181759
30 Insulation, Thermostat Opening .....	43307-5 .....	43307-5
31 Insulation, Pipe 24" (Optional) .....	181639-1 (2).....	181639-1 (2)
32 Insulation, T & P Valve 2.13" (Optional) .....	183256 .....	183256
33 Insulation, T & P Valve 3.38" (Optional) .....	183256-1 .....	183256-1

Item Description	FPSH	FPSH	
	40	50	
	236/237	236/237	
<b>LABEL</b>			
34	Flammable Vapor Warning .....	183283 .....	183283
35	Lighting & Operating .....	182561 .....	182561
36	Scald Warning .....	181138 .....	181138
37	*Temperature .....	182734 .....	182734
38	Protector, Personnel .....	182697 .....	182697
39	Tube, Inlet w/Spacer .....	21067-34 .....	21067-34
40	Spacer, Inlet Tube (Supplied with Item 39) .....	42589 .....	42589
<b>THERMOSTAT ASSEMBLY</b> .....			
41	ECO .....	<u>181706</u> .....	<u>181706</u>
42	Thermostat .....	<u>181705</u> .....	<u>181705</u>
43	Transformer .....	192608 .....	192608
44	Valve, Drain Plastic .....	42037 .....	42037-1
44	Valve, Drain Brass .....	26273-8 .....	26273-8
45	Valve, T & P .....	23740-1 .....	23740-1
<b>SMR H43: North Carolina Code</b>			
39	Tube, Inlet w/Spacer .....	21067-34 .....	21067-34
45	Valve, T & P .....	23740-1 .....	23740-1
<b>SMR K32: High Altitude - Nat Gas</b>			
<b>BURNER ASSEMBLY - NATURAL - Series 236</b> .....			
10	Orifice, Main - Natural .....	181508-31 .....	181508-31
<b>SMR S06 California Code</b>			
28	Earthquake Manual .....	181809 .....	181809
	Insert Sheet .....	183136 .....	183136
<b>SMR S19 - Magnesium Anode</b>			
1	Anode .....	43816-29 .....	43816-29
<b>SMR S24: No Emblem</b>			
45	Valve, T & P .....	23740-1 .....	23740-1
<b>SMR S33: High Altitude - Prop Gas</b>			
<b>BURNER ASSEMBLY - PROPANE - Series 237</b> .....			
10	Orifice, Main - Propane .....	181508-50 .....	181508-50
<b>SMR S34 - Relief Valve &amp; Magnesium Anode</b>			
1	Anode .....	43816-29 .....	43816-29
45	Valve, T & P .....	23740-1 .....	23740-1
<b>SMR S35 - Relief Valve &amp; Brass Drain Valve</b>			
44	Valve, Drain Brass .....	26273-8 .....	26273-8
45	Valve, T & P .....	23740-1 .....	23740-1
<b>SMR S44 - Massachusetts Code</b>			
45	Valve, T & P .....	23740-1 .....	23740-1
<b>SMR S44 - Massachusetts Code</b>			
1	Anode .....	29109-29 .....	29109-29

**NOTE:** Underlined parts are recommended stock items for emergency replacement. Consider gas used in your area only. \* Not illustrated.



**A.O. SMITH**  
**WATER PRODUCTS**  
**COMPANY**  
PSD / Alsip, IL

**A.O. SMITH WATER PRODUCTS CO., INC.**  
5621 W. 115TH STREET • ALSIP, ILLINOIS 60803  
PHONE: 1-800-433-2545 • FAX: 1-800-433-2515  
Website: [www.hotwater.com](http://www.hotwater.com) • EMAIL: [parts@hotwater.com](mailto:parts@hotwater.com)