

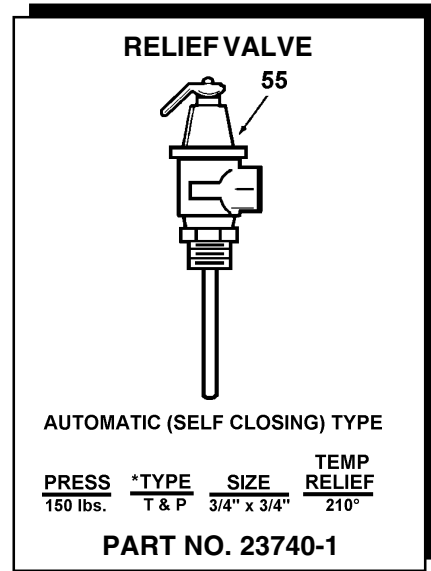
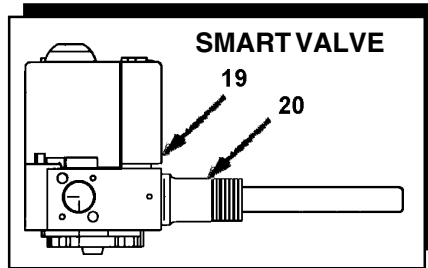
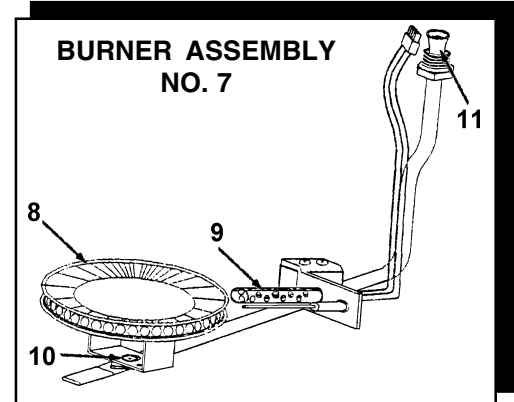
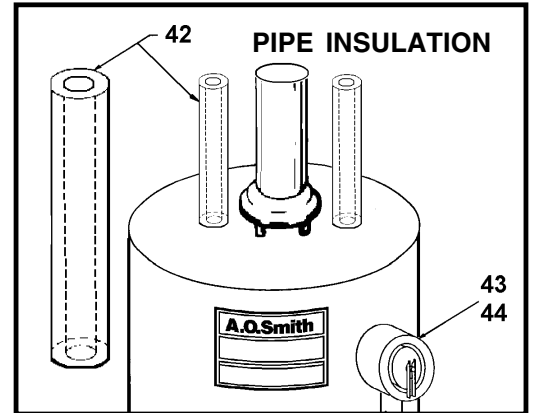
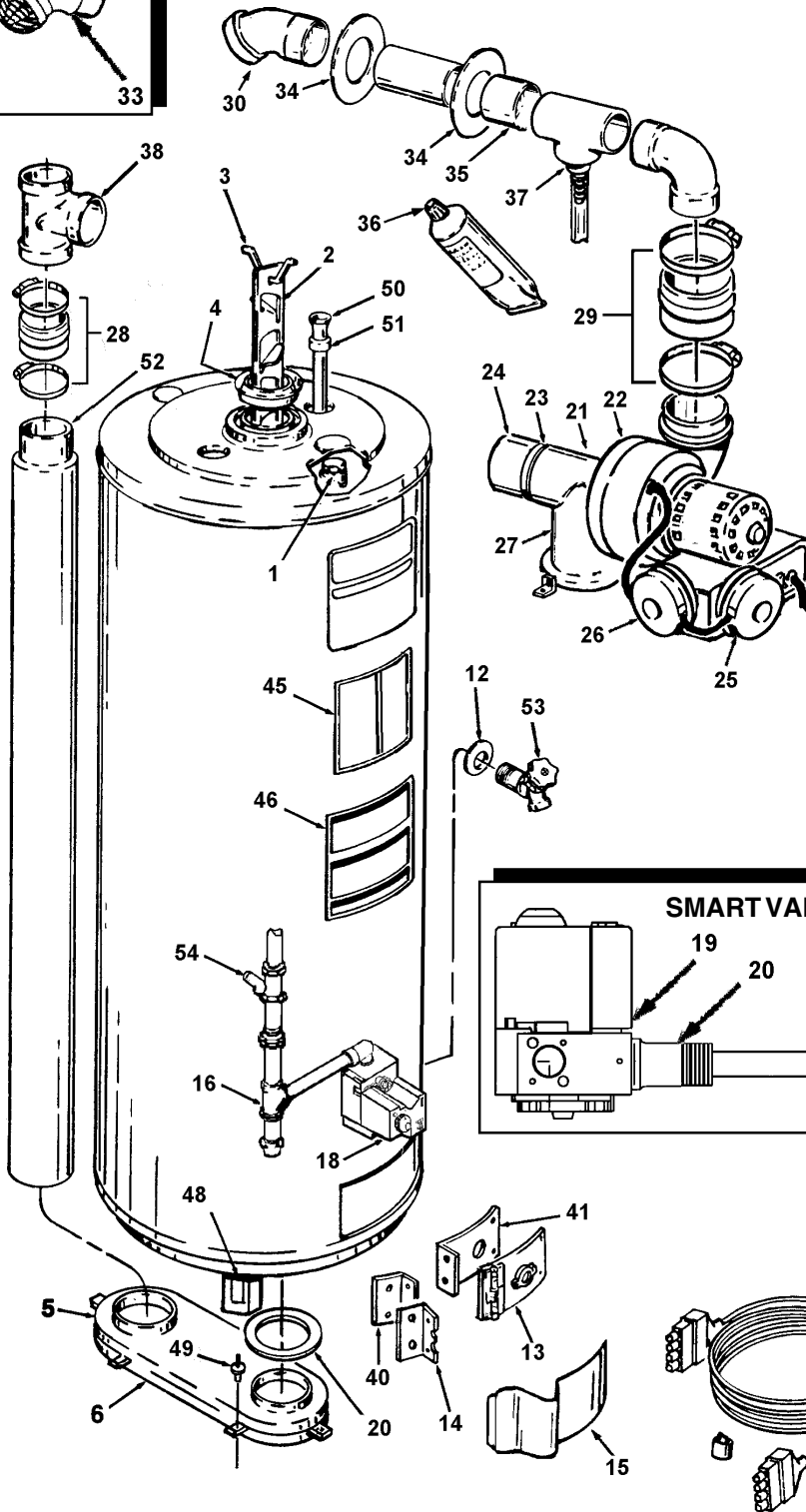
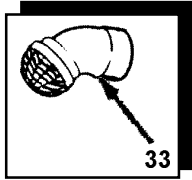
A.O. SMITH

PSD-1-286

GAS

WATER PRODUCTS COMPANY

RESIDENTIAL WATER HEATER PARTS LIST
 MODELS FPD 40 & 50
 SERIES 250/251



A.O. SMITH WATER PRODUCTS CO., INC.
 5621 W. 115TH STREET • ALSIP, ILLINOIS 60803
 PHONE: 1-800-433-2545
 FAX: 1-800-433-2515 • WWW.HOTWATER.COM

ITEM	DESCRIPTION	FPD	FPD
		40	50
		250/251	250/251
1	Anode - Alum. (.750" dia) Standard Models	43817-29	43817-35
1	Anode - Mag. (.750" dia) Optional	43816-29	43816-35
1	Anode - Alum. (.840" dia) Optional	180618-29	180618-35
1	Anode - Mag. (.840" dia) Optional	29109-29	29109-35
	BAFFLE		
2	Baffle, Flue	181382	181382
3	Hanger, Flue Baffle	181360	181360
4	Restrictor, Flue Baffle	183142	183142
5	Box Top, Lower Air Supply	181489-1	181489-1
6	Box Bottom, Lower Air Supply	181490-1	181490-1
7	BURNER ASS'Y - NATURAL - Series 250	183087	183087-1
7	BURNER ASS'Y - PROPANE - Series 251	183087-2	183087-3
8	Burner, Main - Natural	182730	182730
8	Burner, Main - Propane	182104	182104
9	Ignitor, Hot Surface	<u>183086</u>	<u>183086</u>
10	Orifice, Main - Natural	181508-123	181508-123
10	Orifice, Main - Propane	181791-49	181791-49
11	Tube, Main Burner - Natural	183084	183084-1
11	Tube, Main Burner - Propane	183085	183085-1
12	Collar, Pipe	20172-21	20172-21
	DOOR		
13	Inner	181449	181449
14	Inner, Left Angle	181450	181450
15	Outer	180522-700	180522-700
16	Dirt Leg Assembly, Propane	181206-1	181206-1
17	Gasket, Air Supply Box	182130	182130
	IGNITION CONTROL ASS'Y - NAT - Series 250	183081	183081
	IGNITION CONTROL ASS'Y - PROP - Series 251	183081-1	183081-1
18	Smart Valve Ass'y w/ECO - Natural	183082	183082
18	Smart Valve Ass'y w/ECO - Propane	183082-1	183082-1
19	Smart Valve w/o ECO - Natural	<u>183341</u>	<u>183341</u>
19	Smart Valve w/o ECO - Propane	<u>183341-1</u>	<u>183341-1</u>
20	ECO & Shank Ass'y - Natural	<u>183340</u>	<u>183340</u>
20	ECO & Shank Ass'y - Propane	<u>183340-1</u>	<u>183340-1</u>
	INSTALLATION ASSEMBLY KIT - Series 250/251	183092	183092
21	Blower Assembly	<u>183088</u>	<u>183088</u>
22	Gasket, Inlet Tee/Blower Ass'y	182278	182278
23	Gasket, Inlet Tee Ass'y	181765	181765
24	Restrictor, Air Flow	182275	182275
25	Switch, Pressure Inlet	21223	21223
26	Switch, Pressure Outlet	21224	21224
27	Tee, Inlet Ass'y - Blower Ass'y	182240-1	182240-1
28	Coupling w/Clamps (Air Tube)	182601	182601
29	Coupling w/Clamps (Blower Ass'y)	182269	182269
30	Exhaust Ass'y, 3" Vent w/Screens	181528	181528

ITEM	DESCRIPTION	FPD	FPD
		40	50
		250/251	250/251
31	Harness w/Clips	183090	183090
32	*Insert Sheet	183091	183091
33	Intake Ass'y, 3" Vent w/Screens	182167	182167
34	Plate, Wall	181557	181557
35	Pipe PVC, 3" x 7"	181837	181837
36	Sealant, High Temperature Silicone	<u>181564</u>	<u>181564</u>
37	Tee Assembly, Condensate	181861	181861
38	Tee, 3" Rear Vent - Air Tube	181762	181762
39	*Instruction Manual	183097	183097
40	Insulation, Angle Inner Door	182132	182132
41	Insulation, Inner Door	182131	182131
42	Insulation, Pipe 24"	181639-1 (2)	181639-1 (2)
43	Insulation, T & P Valve (2.13")	183256	183256
44	Insulation, T & P Valve (3.38")	183256-1	183256-1
LABELS			
45	Flammable Vapor/Scald Warning	183301	183301
46	Lighting & Operating	182563	182563
47	*Temperature	182734	182734
48	Legs	38046-700 (3)	38046-700 (3)
49	Rivet, Thermoplastic	181625 (6)	181625 (6)
50	Tube, Inlet Polypropylene w/Spacer (Standard)	183093-41	183093-41
50	Tube, Inlet Polysulfone w/Spacer (Optional)	183094-41	183094-41
51	Spacer, Inlet Tube (Supplied with Item 50)	42589-1	42589-1
52	Tube, Rear Air Supply	182598	182598-1
53	Valve, Drain - Nylon (Standard)	42037	42037-1
53	Valve, Drain - Brass (Optional)	26273-5	26273-5
54	Valve, Main Gas Shutoff	181737	181737
55	Valve, T & P	<u>23740-1</u>	<u>23740-1</u>
SMR H43			
	50 Tube, Inlet w/Spacer	183094-41	183094-41
	55 Valve, T & P	23740-1	23740-1
SMR K32			
	1 Anode		
SMR S06 California Code			
	39 Earthquake Manual	181809	181809
	Insert Sheet	183136	183136
SMR S19 - Magnesium Anode			
	1 Anode	43816-38	43816-38
SMR S44 - Massachusetts Code			
	1 Anode	29109-29	29109-29
	50 Tube, Inlet w/Spacer	183094-41	183094-41

NOTE: Underlined parts are recommended stock items for emergency replacement. Consider gas used in your area only.

*** Not illustrated**

A.O. SMITH
WATER PRODUCTS
COMPANY

A.O. SMITH WATER PRODUCTS CO., INC.
5621 W. 115TH STREET • ALSIP, ILLINOIS 60803
PHONE: 1-800-433-2545 • FAX: 1-800-433-2515
Website: WWW.HOTWATER.COM • EMAIL: PARTS@HOTWATER.COM