



Date: December 20, 1999
Subject: Gas Water Heater Conversion Policy
To: All Accounts

No. 137 Rev. 2

* This supersedes all previous letters and field bulletins concerning residential and commercial water heater conversion.

GAS WATER HEATER CONVERSION POLICY

All A.O. Smith Water Products Company's residential and commercial gas water heaters are designed certified by CSA or UL, under ANSI Standards for operation on one type of gas only, as indicated on the water heater's model number and rating plate.

A.O. Smith realizes that there may be certain situations where a field conversion may be necessary and in order to facilitate such a conversion, A. O. Smith complies with CSA or UL regulations ensuring that a field conversion be appropriately and safely completed.

An improper field conversion from one type of gas to another could cause potentially dangerous conditions that may cause an explosion or fire resulting in property damage, bodily injury or both.

A.O. SMITH WILL ONLY ALLOW THE CONVERSION OF GAS WATER HEATERS FROM LP GAS (PROPANE) TO NATURAL GAS. THE CONVERSION OF A GAS WATER HEATER FROM NATURAL GAS TO LP GAS (PROPANE) IS NOT ALLOWED UNDER ANY CIRCUMSTANCES.

A.O. Smith will provide kits as demand warrants through our Parts Department, phone no. 1-800-433-2545. Prices, dimensions and specifications are subject to change without notice.

Each conversion kit is to be installed by an A.O. Smith service agent or a gas utility serviceman in accordance with A.O. Smith's written instructions and all codes and requirements of the authority having jurisdiction. Failure to follow instructions could result in serious injury or property damage. The utility performing this work assumes responsibility for this conversion.

Changing the Input on Gas Water Heaters

The only changes to the input of a gas water heater allowed are:

- Adjustments to match that shown on the rating plate of the heater. The installation instructions supplied with the heater indicate if adjustments to input are a required procedure.
- Changes made as required to adjust the heater for proper operation at high altitude as determined by a qualified service technician. Service manuals include the proper procedure for adjusting heaters at high altitudes.

Conversion of Gas Water Heaters

The conversion of LP gas (Propane) to Natural gas is ONLY allowed providing:

- The conversion is done as part of a gas utility's program where propane appliances were installed anticipating the completion of natural gas service to the area. The conversion must be done under the direct supervision of the utility and by their service representatives.

Claims of damage or injury arising from the unauthorized conversion of any A.O. Smith water heater not design certified for conversion will be the complete and total responsibility of the person or entity making the conversion.

If you have any questions regarding the above policy, please contact the A.O. Smith Parts Department at 1-800-433-2545 or our Technical Information Center at 1-800-527-1953.

A.O. SMITH WATER PRODUCTS CO., INC.
5621 W. 115TH STREET • ALSIP, ILLINOIS 60803
PHONE: 1-800-433-2545
FAX: 1-800-433-2515 • www.hotwater.com

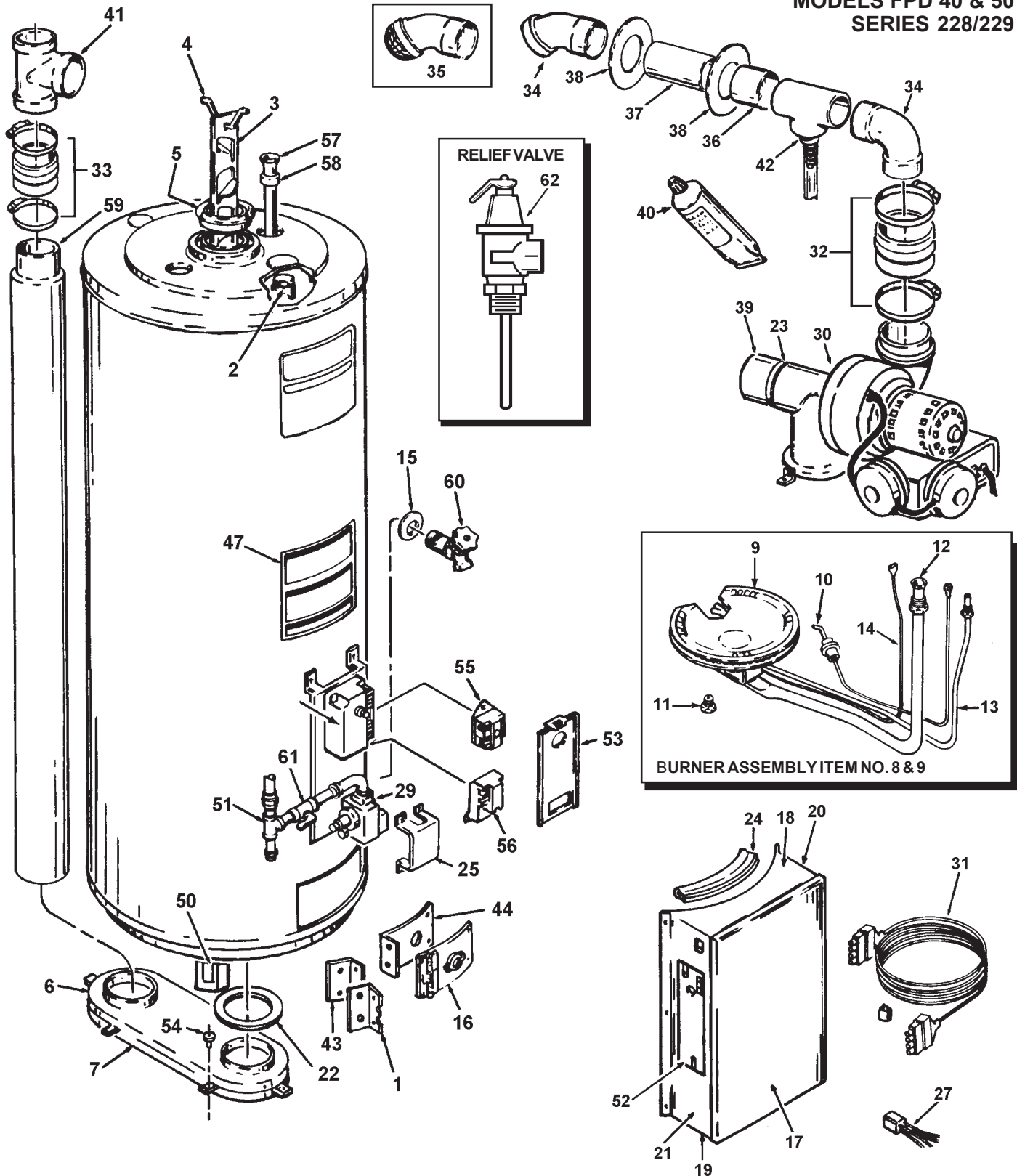
A.O. SMITH

PSD-1-285

GAS

WATER PRODUCTS COMPANY

RESIDENTIAL WATER HEATER PARTS LIST MODELS FPD 40 & 50 SERIES 228/229



A.O. SMITH WATER PRODUCTS CO., INC.
5621 W. 115TH STREET • ALSIP, ILLINOIS 60803
PHONE: 1-800-433-2545
FAX: 1-800-433-2515 • WWW.HOTWATER.COM

ITEM	DESCRIPTION	FPD	FPD
		40	50
		228/229	228/229
1	Angle, Door Left	181450	181450
2	Anode	183523-26	183523-26
	BAFFLE		
3	Baffle, Flue	181382	181382
4	Hanger, Flue	181360	181360
5	Restrictor, Flue Baffle	34894	34894
6	Box Top, Lower Air Supply	181489	181489
7	Box Bottom, Lower Air Supply	181490	181490
	BURNER ASSEMBLY		
8	Natural Gas	182675	182675-1
9	Burner, Main - Nat. & Prop.	181726	181726
10	Ignitor	<u>181903</u>	<u>181903</u>
11	Orifice, Main - Nat.	181508-31	181508-31
11	Orifice Main - Prop.	181791-50	181791-50
12	Tube, Main Burner - Nat.	181482-11	181482-11
12	Tube, Main Burner - Prop.	181796-11	181796-11
13	Tube, Pilot - Nat. & Prop.	<u>23330</u>	<u>23330</u>
14	Wire, Ground	182674	182674
15	Collar, Pipe	20172-14	20172-14
16	Door, Inner	181449	181449
17	Door, Panel Cover	181943	181943
18	Door, Panel Top	181942	181942
19	Door, Panel Bottom	181941	181941
20	Door, Panel Right	181940	181940
21	Door, Panel Left	181939	181939
22	Gasket, Fiberglass	182130	182130
23	Gasket, Inlet Tee	181765	181765
24	Grommet, Outer Door	181764-1	181764-1
	IGNITION CONTROL ASSEMBLY		
25	Bracket, Gas Valve	181898	181898
26	Module, Ignition Control	<u>182672</u>	<u>182672</u>
27	Harness, Wiring	182673	182673
28	Plate, Mounting	182261	182261
29	Valve, Gas		
	Natural	<u>181950</u>	<u>181950</u>
	Propane	<u>182192</u>	<u>182192</u>
	INSTALLATION KIT	181840	181840
30	Blower Assembly	<u>181843</u>	<u>181843</u>
31	Cable, Control w/Clips	181728-1	181728-1
32	Coupling & Clamps/Blower Discharge)	182269	182269
33	Coupling & Clamps	182601	182601
34	Elbow Assembly, Exhaust	181528	181528
35	Elbow Assembly, Intake	182167	182167
36	Pipe, PVC 3" Dia. x 7" Long	181837	181837
37	Pipe, PVC 3" Dia. x 12" Long	181531	181531

ITEM	DESCRIPTION	FPD	FPD
		40	50
		228/229	228/229
38	Plate, Wall	181557	181557
39	Orifice, Air Flow	181773	181773
40	Sealer, Tube High Temperature Silicone	<u>181564</u>	<u>181564</u>
41	Tee, PVC 3"	181617	181617
42	Tee, Assembly, Condensate	181861	181861
43	Insulation, Angle	182132	182132
44	Insulation, Door	182131	182131
45	*Instruction Manual	182576	182576
	LABELS		
46	*Flammable Vapor Warning	181139	181139
47	Lighting & Operating	181139	181139
48	*Scald Warning	181138	181138
49	*Temperature	182734	182734
50	Leg	38046	38046
51	Leg, Dirt - Propane (Not Factory Supplied)	43761	43761
52	Plate, Cover	181938	181938
53	Protector, Personnel	181758	181758
54	Rivet	181625	181625
	THERMOSTAT ASS'Y		
55	E.C.O.	<u>181706</u>	<u>181706</u>
56	Thermostat	<u>181705</u>	<u>181705</u>
57	Tube, Inlet	181295-35	181295-35
58	Spacer, Inlet Tube (Included with Item 56)	42589-1	42589-1
59	Tube, Rear Air Supply	182598	182598
60	Valve, Drain	42037	42037-1
61	Valve, Main Gas Shutoff	181737	181737
62	Valve, T & P Relief	<u>23740-1</u>	<u>23740-1</u>
	SMR H43		
1	Anode	183463-29	183463-29
	Relief Valve	<u>23740-1</u>	<u>23740-1</u>
	SMR S06		
52	Earthquake Manual	181809	181809
54	Insert Sheet	182552	182552
	SMR S19		
1	Anode	183463-38	183463-42
	SMR S33		
	SMR S44		
1	Anode	183463-29	183463-29
11	Dip Tube	21062-26	21062-26

NOTE: Underlined parts are recommended stock items for emergency replacement.
 Consider gas used in your area only.

* Not illustrated

A. O. SMITH
WATER PRODUCTS
COMPANY

A. O. SMITH WATER PRODUCTS CO., INC.

5621 W. 115TH STREET • ALSIP, ILLINOIS 60803

PHONE: 1-800-433-2545 • FAX: 1-800-433-2515

Website: WWW.HOTWATER.COM/PARTS • EMAIL: PARTS@HOTWATER.COM