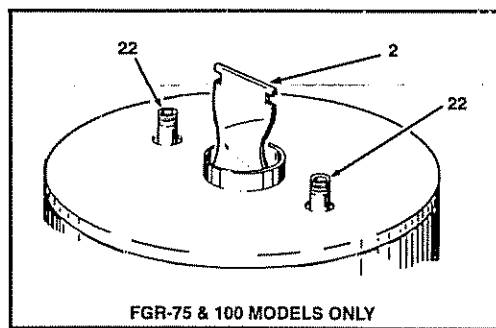


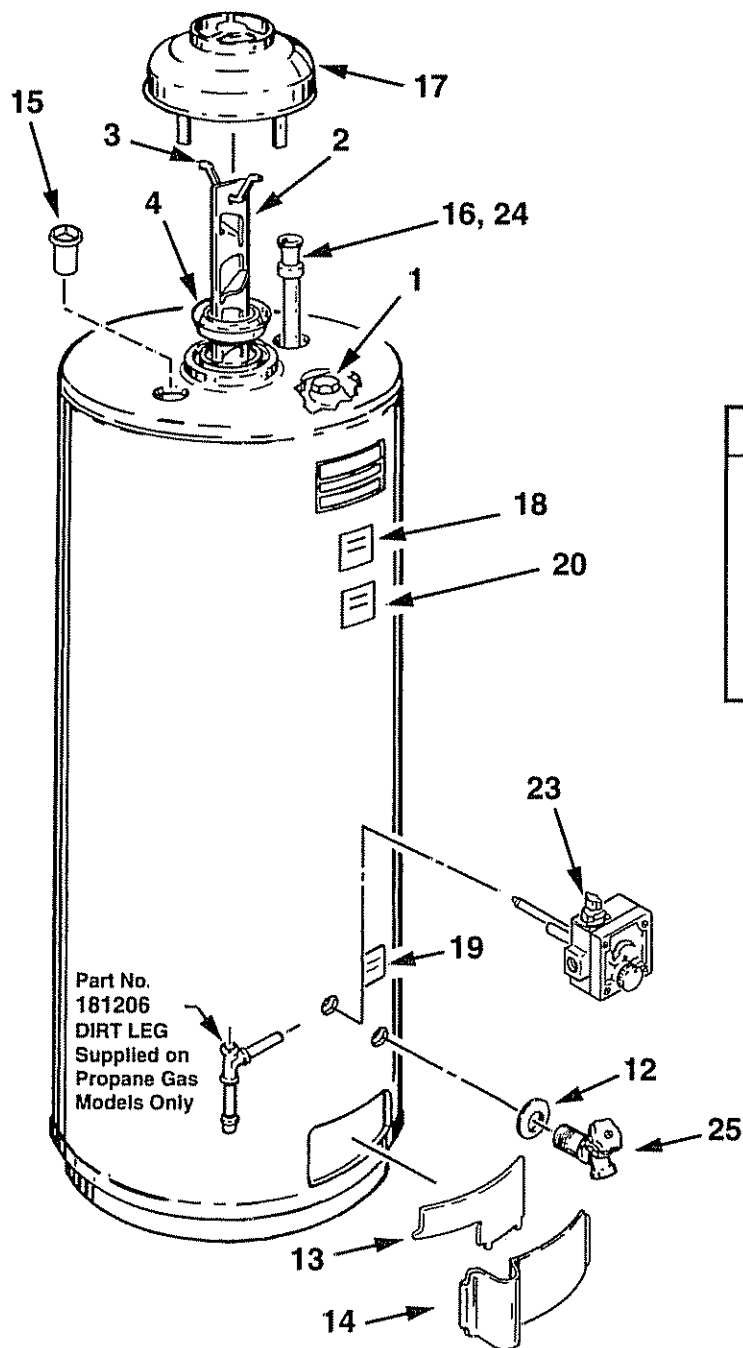
RESIDENTIAL WATER HEATER PARTS LIST  
**MODELS FGR-30, 40, 50, 75, 100**  
**SERIES: 231, 232, 233**  
**236, 237**



**T&P VALVE EXTENDER**  
 FOR USE WITH PART NO. 23740-1  
 (FGR-75 & 100 MODELS)

"A" DIMENSION

PART NO. 42931	3 1/4"
PART NO. 42931-1	2"



**RELIEF VALVE**  
 75 & 100 MODELS

26

AUTOMATIC (SELF CLOSING) TYPE

PRESS.	*TYPE	SIZE	TEMP RELIEF
150 lbs.	T & P	3/4" X 3/4"	210"

PART NO. 23740-1

\*Temperature & Pressure

**RELIEF VALVE**  
 FGR-30, 40 & 50 MODELS

26

AUTOMATIC (SELF CLOSING) TYPE

PRESS.	*TYPE	SIZE	TEMP RELIEF
150 lbs.	T & P	3/4" X 3/4"	210"

PART NO. 43151-2

\*Temperature & Pressure

**5 BURNER ASSEMBLY**  
 FGR-75 & 100 MODELS

Lock Nut, Part No. 29001

**5 BURNER ASSEMBLY**  
 FGR-30, 40 & 50 MODELS

ON FGR-30, 40 & 50 SMR R99 MODELS ONLY

FLAME SPREADER  
 PART NO. 181101

WING NUT  
 PART NO. 150629

MAIN BURNER  
 PART NO. 181606-1

Item	Description	FGR 30 236/237 43817-38	FGR 40 236/237 43817-38	FGR 50 236/237 43817-38	FGR 75 230 thru 233 43817-38	FGR 100 230/231 180618-50
1	Anode BAFFLE					
2	Baffle, Flue	181589	181589	181589	10089-1	160698-1
3	Hanger, Baffle	181360	181360	181360	-----	-----
4	Restrictor, Flue	34894	34894	34894	35405	35405
5	BURNER ASS'Y, MAIN - NAT FGR-75 Series 230 Only	182666-15	182666-19	182666-24	180653-10 180653-4	180653-5
5	BURNER ASS'Y, MAIN - PROP FGR-75 Series 233 Only	182666-16	182666-20	182666-25	181786 181786-2	181786-1
6	Burner, Main - Nat FGR-75 Series 230 Only	181806	181806	181806	41157-1 41157	41157-1
6	Burner, Main - Prop FGR-75 Series 233 Only	181806	181806	181806	41157 41157-1	41157-1
7	Burner Ass'y, Pilot - Nat	<u>182165-3</u>	<u>182165-3</u>	<u>182165-3</u>	<u>160228</u>	<u>160228</u>
7	Burner Ass'y, Pilot - Prop	<u>182165-4</u>	<u>182165-4</u>	<u>182165-4</u>	<u>160228-1</u>	<u>160228-1</u>
8	Orifice, Main - Nat	181508-31	181508-31	181508-31	29366-23	29366-23
8	Orifice, Main - Prop	181791-50	181791-50	181791-50	181778-37	181778-37
9	Thermocouple	<u>23673</u>	<u>23673</u>	<u>23673</u>	<u>23675</u>	<u>23675</u>
10	Tube, Main Burner - Nat FGR-75 Series 230 Only	182592-1	182592-2	182592-4	39114-3 39114-1	39114-1
10	Tube, Main Burner - Prop FGR-75 Series 233 Only	182593-1	182593-2	182593-4	181784-3 181786-2	181784-1
11	Tube, Pilot	23925-16	23925-16	23925-16	23330	23330
12	Collar, Pipe DOOR	20172-14	20172-14	20172-14	20172-6	20172-6
13	Inner	180596	180596	180596	39923	39923
14	Outer	180522-700	180522-700	180522-700	39912-701	39912-701
15	Heat Trap, Outlet - "T" Models Only	181235	181235	181235	-----	-----
16	Heat Trap, Inlet Tube - "T" Models Only	181068-35	181068-35	181068-35	-----	-----
17	Hood, Draft LABEL	181082-700	181082-700	181082-700	39072-200	39072-200
18	Flammable Warning	181139	181139	181139	181139	181139
19	Lighting & Operating	180310	180310	180310	180310	180310
20	Scald Warning	181138	181138	181138	181138	181138
21	Manual, Instruction	182581	182581	182581	182581	182581
22	Nipple THERMOSTAT	-----	-----	-----	43879	41319
23	Nat FGR-75 Series 230 Only	<u>180193-4</u>	<u>180193-4</u>	<u>180193-4</u>	<u>180193-8</u> 180193-5	<u>180193-5</u>
23	Prop FGR-75 Series 233 Only	<u>181775-3</u>	<u>181775-3</u>	<u>181775-3</u>	<u>181797</u> 181797-1	<u>181797</u>
24	Tube, Inlet	21067-37	21067-37	21067-37	41072-29	41932-30
25	Valve, Drain	42037-3	42037-3	42037-3	26273-7	26273-7
25	FGR-75 Series 232/233 Only	-----	-----	-----	26276-6	-----
26	Valve, T & P	43151-2	43151-2	43151-2	-----	-----
<b>SMR S44</b>						
1	Anode	29109-44	43816-38	29109-44	29109-44	29109-48
16	Heat Trap, Inlet Tube - "T" Models Only	181295-35	181295-35	181295-35	-----	-----
22	Nipple	-----	-----	-----	86979-5	92706-3
24	Tube, Inlet	-----	-----	-----	41931-29	41932-30
<b>SMR R99</b>						
1	Anode	181125-42	181125-42	181125-42	-----	-----
5	BURNER ASS'Y, MAIN - NAT	182258-9	182258-11	182258-13	-----	-----
7	Burner Ass'y, Pilot - Nat	182099-7	182099-7	182099-7	-----	-----
8	Orifice, Main - Nat	181508-33	181508-33	181508-33	-----	-----
21	Manual, Instruction	181809	181809	181809	-----	-----
<b>SMR S06</b>						
1	Anode	181125-42	181125-42	181125-42	-----	-----
5	BURNER ASS'Y, MAIN - NAT	182666-17	182666-22	182666-26	-----	-----
7	Burner Ass'y, Pilot - Nat	182165-3	182165-3	182165-3	-----	-----
8	Orifice, Main - Nat	181508-32	181508-32	181508-32	-----	-----
21	Manual, Instruction	181809	181809	181809	-----	-----
<b>SMR S19</b>						
1	Anode	29109-44	43816-38	29109-44	29109-44	29109-48
<b>SMR K32</b>						
1	Anode	29109-44	43816-38	29109-44	29109-44	29109-48
5	BURNER ASS'Y, MAIN - NAT	182666-17	182666-22	182666-26	180653-8	180635-9
7	Burner Ass'y, Pilot - Nat	182165-3	182165-3	182165-3	160228	160228
8	Orifice, Main - Nat High Altitude Ass'y	181508-32 182573	181508-32 182573	181508-32 182573	29366-26 182573	29366-26 182573
<b>SMR S29</b>						
1	Anode	29109-44	43816-38	29109-44	-----	-----
22	Nipple	38469-10	38469-10	38469-10	86979-5	92706-3
<b>SMR S45</b>						
1	Anode	181125-42	181125-42	181125-42	-----	-----
22	Nipple	38469-4	38469-4	38469-4	-----	-----
<b>SMR S33</b>						
1	Anode	29109-44	43816-38	29109-44	29109-44	-----
5	BURNER ASS'Y, MAIN - PROP	182666-18	182666-23	182666-27	-----	-----
7	Burner Ass'y, Pilot - Prop	182165-4	182165-4	182165-4	-----	-----
8	Orifice, Main - Prop High Altitude Ass'y	181791-51 182573	181791-51 182573	181791-51 182573	----- 182573	----- -----
<b>SMR H43</b>						
22	Nipple	-----	-----	-----	86979-5	92706-3
24	Tube, Inlet	-----	-----	-----	41931-29	41932-30
26	Valve, T & P	-----	-----	-----	43151-2	43151-2

"T" denotes Heat Trap Models.  
Underlined parts are recommended stock items for emergency replacement.  
Standard hardware items may be purchased locally.  
\* Not illustrated