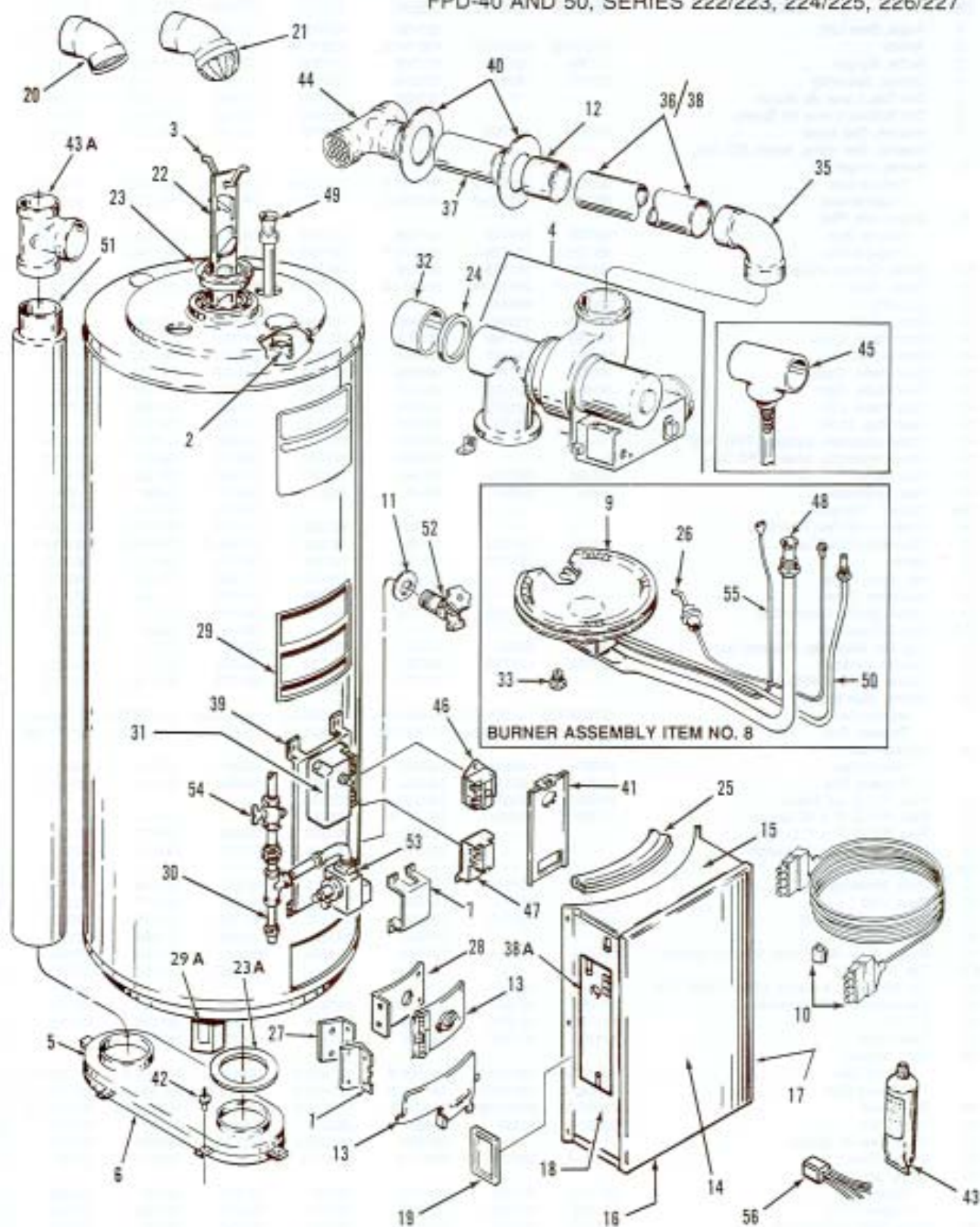


GAS

RESIDENTIAL WATER HEATER PARTS LIST

FPSE/PGSE-40 AND 50, SERIES 222/223
 FPD-40 AND 50, SERIES 222/223, 224/225, 226/227



A. O. SMITH
WATER PRODUCTS
COMPANY

5621 W. 115TH STREET • ALSIP, ILLINOIS 60803
 PHONE: 1-800-433-2545 • FAX: 1-800-433-2515 • WWW.HOTWATER.COM

Item	Description	Series 222/223		Series 222/223		Series 224/225		Series 226/227	
		FPSE-40	FPSE-50	FPD-40	FPD-50	FPD-40	FPD-50	FPD-40	FPD-50
		PGSE-40	PGSE-50						
1	Angle, Door Left	----	----	181450	181450	181450	181450	181450	181450
2	Anode	43816-38	43816-38	43816-25	43816-38	43817-29	43817-35	43817-29	43817-35
3	Baffle, Hanger	181360	181360	181360	181360	181360	181360	181360	181360
4	Blower, Assembly	181616	181616	181643	181643	181643	181643	181643	181643
5	Box Top, Lower Air Supply	----	----	181489	181489	181489	181489	181489	181489
6	Box Bottom, Lower Air Supply	----	----	181490	181490	181490	181490	181490	181490
7	Bracket, Gas Valve	181709	181709	181709	181709	181709	181709	181998	181998
7	Bracket, Gas Valve, Series 227 Only	----	----	----	----	----	----	182194	182194
8	Burner, Assembly								
	Natural Gas	181732	181732-2	181732-4	181732-6	181732-4	181732-6	181732-12	181732-14
	Propane Gas	181732-1	181732-3	181732-5	181732-7	181732-5	181732-7	181732-12	181732-14
9	Burner with Pilot								
	Natural Gas	181726	181726	181726	181726	181726	181726	181726	181726
	Propane Gas	181726-1	181726-1	181726-1	181726-1	181726-1	181726-1	181726-1	181726-1
10	Cable, Control w/Clips	181728	181728	181728	181728	181728	181728	181728	181728
11	Collar, Pipe	20172-14	20172-14	20172-14	20172-14	20172-14	20172-14	20172-14	20172-14
12	Coupling	181543	181543	----	----	----	----	----	----
13	Door, Inlet	180596	180596	181449	181449	181449	181449	181449	181449
14	Door Panel, Cover	181708	181708	181708	181708	181708	181708	181943	181943
15	Door Panel, Top	181857	181857	181857	181857	181857	181857	181942	181942
16	Door Panel, Bottom	181858	181858	181858	181858	181858	181858	181941	181941
17	Door Panel, Right	181859	181859	181859	181859	181940	181940	181940	181940
18	Door Panel, Left	181860	181860	181860	181860	181939	181939	181939	181939
19	Door-Plug, Outer	181733	181733	181733	181733	181733	181733	----	----
20	Elbow Assembly, Exhaust, FPD Only	----	----	181528	181528	181528	181528	181528	181528
21	Elbow Assembly, Intake, FPD Only	----	----	181883	181883	182167	182167	182167	182167
22	Flue, Baffle	181382	181382	181382	181382	181382	181382	181382	181382
23	Flue, Restrictor	34894	34894	34894	34894	34894	34894	34894	34894
23A	Gasket, Fiberglass	----	----	----	----	182130	182130	182130	182130
24	Gasket, Inlet Tee, FPD Only	----	----	181765	181765	181765	181765	181765	181765
25	Grommet, Outer Door	181764	181764	181764	181764	181764-1	181764-1	181764-1	181764-1
26	Igniter	181734	181734	181734	181734	181903	181903	181903	181903
27	Insulation, Angle	----	----	181455	181455	181455	181455	182132	182132
28	Insulation, Door	----	----	181454	181454	181454	181454	182131	182131
29	Label-Lighting & Operating	181719	181719	181719	181719	181719	181719	182065	182065
29A	Leg, 3 Required	----	----	----	----	38048	38048	38048	38048
30	Leg, Dirt Assembly, Propane Gas	43761	43761	43761	43761	43761	43761	43761	43761
31	Module, Ignition	181723	181723	181723	181723	181723	181723	181723	181723
32	Orifice, Air Flow, FPD Only	----	----	181773	181773	181773	181773	181773	181773
33	Orifice, Main Burner								
	Natural Gas	181508-129	181508-129	181508-031	181508-031	181508-031	181508-031	181508-031	181508-031
	Propane Gas	181628-50	181628-50	181628-50	181628-50	181628-50	181628-50	181791-50	181791-50
34	Orifice, Pilot								
	Natural Gas	180814	180814	180814	180814	180814	180814	180814	180814
	Propane Gas	180824	180824	180824	180824	180824	180824	180824	180824
35	Pipe, P.V.C. 90° Elbow	181530	181530	181530	181530	----	----	----	----
36	Pipe, P.V.C. 3" x 48" Length	181531-1	181531-1	181531-1	181531-1	----	----	----	----
37	Pipe, P.V.C. 3" x 7" Length	----	----	181837	181837	181837	181837	181837	181837
38	Pipe, P.V.C. 3" x 12" Length	----	----	181531	181531	181531	181531	181531	181531
38A	Plate, Cover	----	----	----	----	----	----	181938	181938
39	Plate, Mounting	181615	181615	181615	181615	181615	181615	181944	181944
40	Plate, Wall	181557	181557	181557	181557	181557	181557	181557	181557
41	Protector, Personnel	181758	181758	181758	181758	181758	181758	181758	181758
42	Rivet	----	----	181625	181625	181625	181625	181625	181625
43	* Sealer, Tube High Temp. Silicone Sealant	181564	181564	181564	181564	181564	181564	181564	181564
43A	Tee, P.V.C. - 3"	----	----	----	----	181762	181762	181762	181762
44	Tee Assembly, Exhaust, FPSE, PGSE Only	181617	181617	----	----	----	----	----	----
45	Tee Assembly, Condensate	181861	181861	181861	181861	181861	181861	181861	181861
46	E.C.O.	181706	181706	181706	181706	181706	181706	181706	181706
47	Thermostat	181705	181705	181705	181705	181705	181705	181705	181705
48	Tube, Burner:								
	Natural Gas	181482-6	181482-7	181482-8	181482-9	181482-8	181482-9	181482-11	181482-12
	Propane Gas	181482-6	181482-7	181482-8	181482-9	181482-8	181482-9	181792-11	181792-12
49	Tube, Inlet	21067-33	21067-33	21067-26	21062-26	160374-28	160374-28	160374-28	160374-28
50	Tube, Pilot	23330	23330	23330	23330	23330	23330	23330	23330
51	Tube, Rear Air Supply	----	----	181772	181772-1	181772	181772-1	181772	181772-1
52	Valve, Drain	26273-6	26273-6	26273-6	26273-6	42037	42037-1	42037	42037-1
53	Valve, Gas:								
	Natural Gas	181721	181721	181721	181721	181721	181721	181950	181950
	Propane Gas	181722	181722	181722	181722	181722	181722	182192	182192
54	Valve, Main Gas Shutoff	181737	181737	181737	181737	181737	181737	181737	181737
55	Wire, Ground	181736	181736	181736	181736	181736	181736	181736-2	181736-2
56	Wire, Harness	181609	181609	181609	181609	181609	181609	181952	181952

* Sealant must conform to MIL-A-46105A, type 1/FDA21 CFR 175.300. Must be able to withstand constant high temperature of 450°F and a low of -75°F. Equal to National Polymer Products, Sealcon II.