

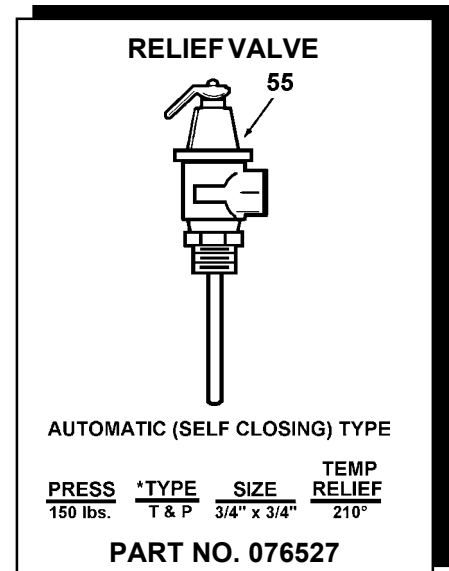
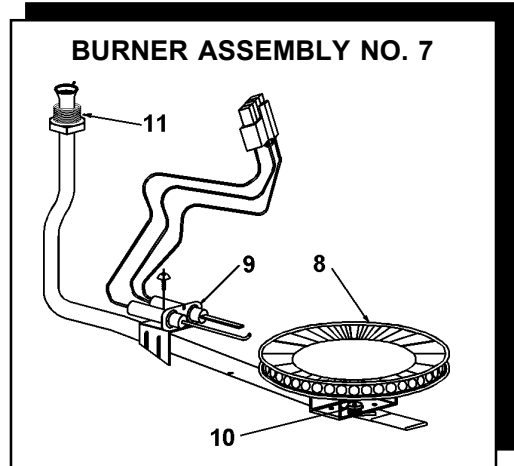
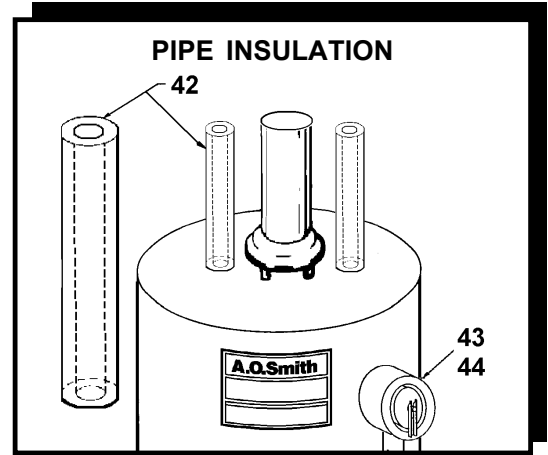
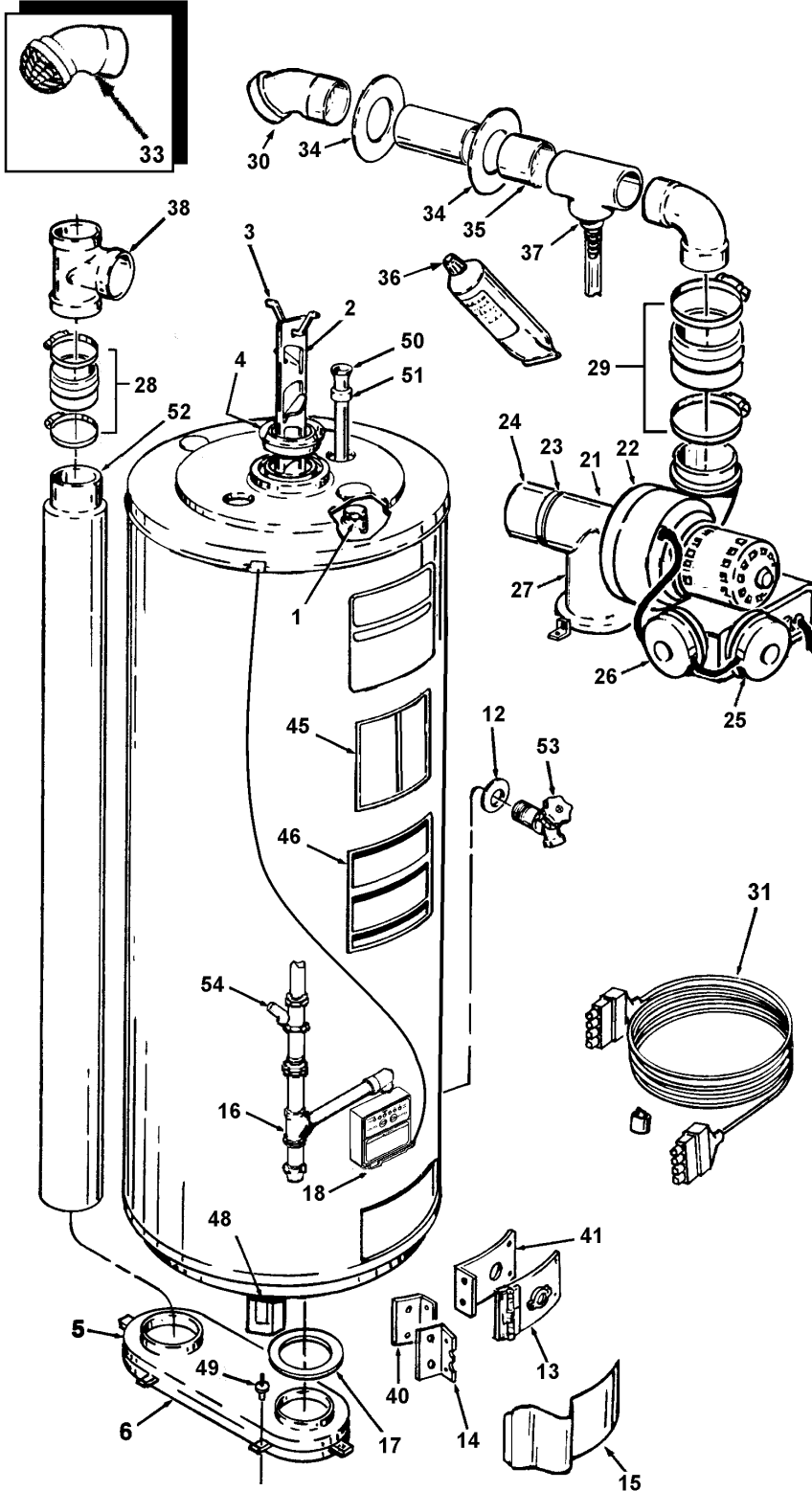
A.O. SMITH

PSD-1-207

GAS

WATER PRODUCTS COMPANY

RESIDENTIAL WATER HEATER PARTS LIST
MODELS FPD 40 & 50
SERIES 270/271



A.O. SMITH WATER PRODUCTS CO., INC.
5621 W. 115TH STREET • ALSIP, ILLINOIS 60803
PHONE: 1-800-433-2545 • FAX: 1-800-433-2515
Website: www.hotwater.com • Email: parts@hotwater.com

ITEM	DESCRIPTION	FPD-40	FPD-50
		270/271	270/271
1	Anode - Alum. (.750" dia) Standard Models	183523-26	183523-29
	BAFFLE		
2	Baffle, Flue	181382	181382
3	Hanger, Flue Baffle	181360	181360
4	Restrictor, Flue Baffle	183142	183142
5	Box Top, Lower Air Supply	181489-1	181489-1
6	Box Bottom, Lower Air Supply	181490-1	181490-1
7	BURNER ASS'Y - NATURAL - Series 270	184055	184055-1
7	BURNER ASS'Y - PROPANE - Series 271	184055-2	184055-3
8	Burner, Main - Natural	182730	182730
8	Burner, Main - Propane	182104	182104
9	Ignitor, Hot Surface	184047	184047
10	Orifice, Main - Natural	181508-123	181508-123
10	Orifice, Main - Propane	181791-49	181791-49
11	Tube, Main Burner - Natural	184053	184053-1
11	Tube, Main Burner - Propane	184054	184054-1
12	Collar, Pipe	20172-21	20172-21
	DOOR		
13	Inner	181449	181449
14	Inner, Left Angle	181450	181450
15	Outer	180522-700	180522-700
16	Dirt Leg Assembly, Propane	181206-1	181206-1
17	Gasket, Air Supply Box	182130	182130
18	Water Heater Control - Natural	183760	183760
18	Water Heater Control - Propane	183760-1	183760-1
	INSTALLATION ASSEMBLY KIT - Series 270/271		
21	Blower Assembly	183092	183092
22	Gasket, Inlet Tee/Blower Ass'y	183088	183088
22	Gasket, Inlet Tee/Blower Ass'y	182278	182278
23	Gasket, Inlet Tee Ass'y	181765	181765
24	Restrictor, Air Flow	181765	181765
24	Restrictor, Air Flow	182275	182275
25	Switch, Pressure Inlet	21223	21223
26	Switch, Pressure Outlet	21224	21224
27	Tee, Inlet Ass'y - Blower Ass'y	182240-1	182240-1
28	Coupling w/Clamps (Air Tube)	182601	182601
29	Coupling w/Clamps (Blower Ass'y)	182269	182269
30	Exhaust Ass'y, 3" Vent w/Screens	181528	181528
31	Harness w/Clips	183090-1	183090-1
32	*Insert Sheet	183091	183091
33	Intake Ass'y, 3" Vent w/Screens	182167	182167
34	Plate, Wall	181557	181557
35	Pipe PVC, 3" x 7"	181837	181837
36	Sealant, High Temperature Silicone	181564	181564
37	Tee Assembly, Condensate	181861	181861
38	Tee, 3" Rear Vent - Air Tube	181762	181762
39	*Instruction Manual	183840	183840
40	Insulation, Angle Inner Door	182132	182132
41	Insulation, Inner Door	182131	182131
42	Insulation, Pipe 24"	181639-1 (2)	181639-1 (2)
43	Insulation, T & P Valve (2.13")	183256	183256
44	Insulation, T & P Valve (3.38")	183256-1	183256-1
	LABELS		
45	Flammable Vapor/Scald Warning	183301	183301
46	Lighting & Operating	183764	183764
47	*Temperature	182734	182734
48	Legs	38046-700 (3)	38046-700 (3)
49	Rivet, Thermoplastic	181625 (6)	181625 (6)
50	Tube, Inlet Polypropylene w/Spacer (Standard)	183359-41	183359-41
51	Spacer, Inlet Tube (Supplied with Item 50)	183706	183706
52	Tube, Rear Air Supply	182598	182598-1
53	Valve, Drain - Nylon (Standard)	42037	42037-1
53	Valve, Drain - Brass (Optional)	26273-5	26273-5
54	Valve, Main Gas Shutoff	181737	181737
55	Valve, T & P	76527-3	76527-3
	SMR S06 California Code		
39	Earthquake Manual	181809	181809
	Insert Sheet	183136	183136
	SMR S19 - Magnesium Anode		
1	Anode	183463-26	183463-29

NOTE: Underlined parts are recommended stock items for emergency replacement. Consider gas used in your area only.
 * Not illustrated