

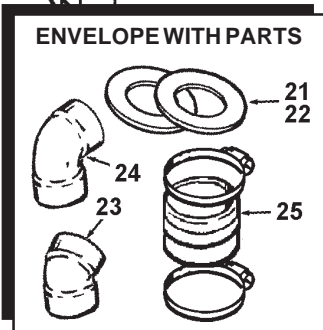
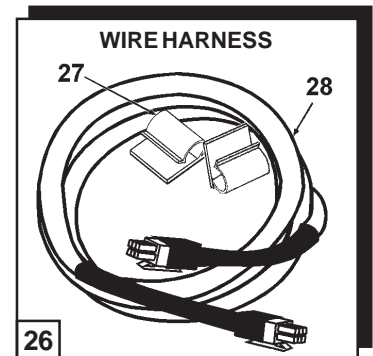
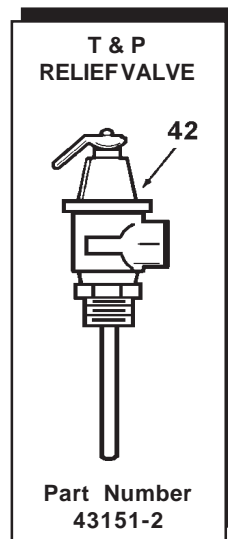
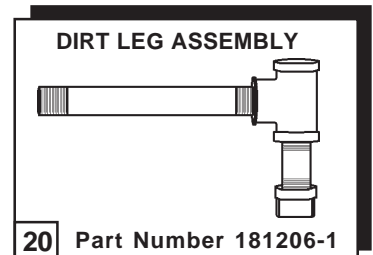
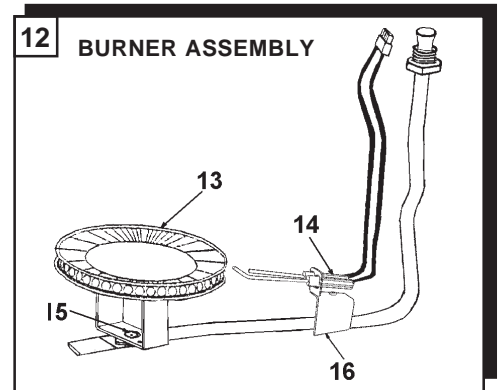
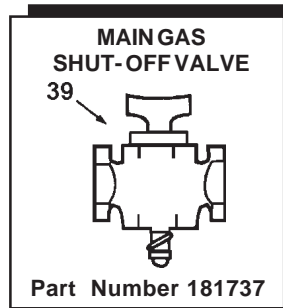
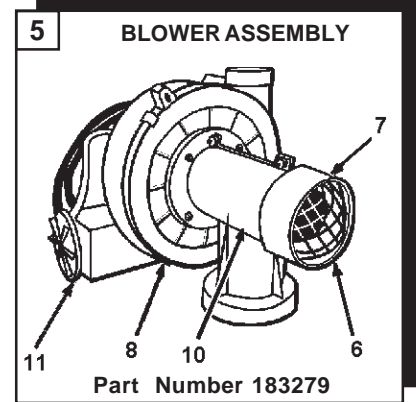
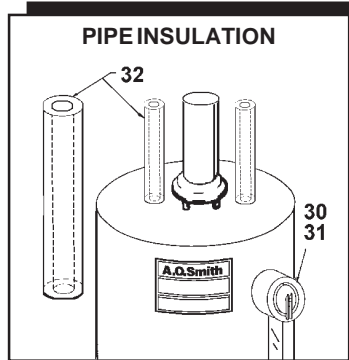
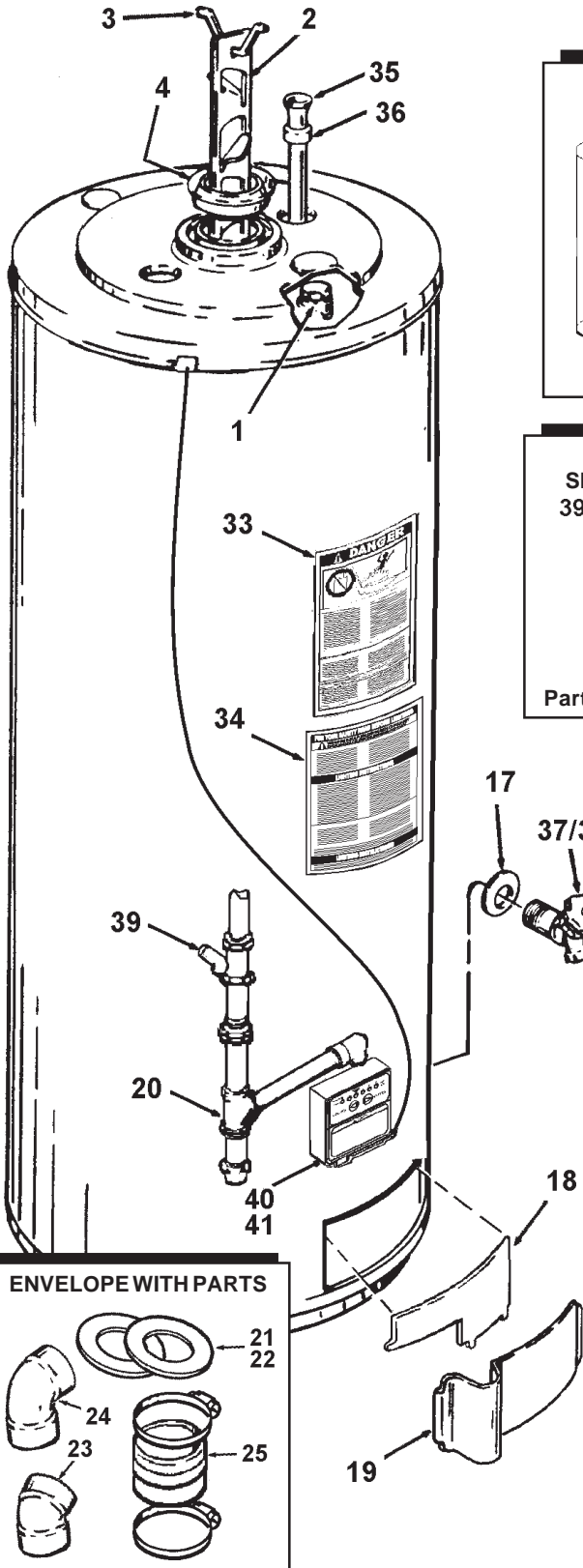
A.O. SMITH

WATER PRODUCTS COMPANY

PSD-1-206

GAS

RESIDENTIAL WATER HEATER PARTS LIST
 MODELS FPST - 50
 SERIES 270/271



A.O. SMITH WATER PRODUCTS COMPANY

5621 W. 115TH STREET • ALSIP, ILLINOIS 60803

PHONE: 1-800-433-2545 • FAX: 1-800-433-2515

Website: www.aosmithwaterheaters.com • E-mail: parts@hotwater.com

Item	Description	
1	Anode - Aluminum (.750" dia.) Standard Models	183523-29
1	Anode - Magnesium (.840" dia.) Optional	183463-38
BAFFLE		
2	Baffle, Flue	181382
3	Hanger, Flue Baffle	181360
4	Restrictor, Flue Baffle	183142
5	BLOWER ASSEMBLY	<u>182379</u>
6	Adapter	182918
7	Gasket	181765
8	Gasket, Tee	182278
9	*Switch, Thermostat	183380
10	Tee Assembly	182240-2
11	Pressure Switch	----
12	BURNER ASSEMBLY - NATURAL - Series 270	184058
12	BURNER ASSEMBLY - PROPANE - Series 271	184060
13	Burner, Main - Natural	181970
13	Burner, Main - Propane	183220
14	Ignitor, Hot Surface - Natural	<u>184047</u>
14	Ignitor, Hot Surface - Propane	<u>184047</u>
15	Orifice, Main - Natural	181508-24
15	Orifice, Main - Propane	181791-44
16	Tube, Main Burner - Natural	184057
16	Tube, Main Burner - Propane	184059
17	Collar, Pipe	20172-21
DOOR		
18	Inner	183491
19	Outer	180522-700
20	Dirt Leg Assembly, Propane (Not Factory Supplied)	181206-1
ENVELOPE WITH PARTS		
21	Plate, Wall 2"	182787
22	Plate, Wall 3"	181557
23	Terminal, Vent 2"	183006
24	Terminal, Vent 3"	192815
25	Rubber Coupling w/Clamps	182933
26	HARNES W/CLIPS	183090-1
27	Clip, Wiring Harness	183365
28	Harness, Wiring	183510-1
29	*Instruction Manual	183834
30	Insulation, T & P Valve 2.13"	183256
31	Insulation, T & P Valve 3.38"	183256-1
32	Insulation, Pipe 24"	181639-1
LABELS		
33	Scald Warning / Flammable Vapors	183301
34	Lighting & Operating	183764
35	Tube, Inlet Polypropylene w/Spacer (Standard)	183359-41
36	Spacer, Inlet Tube (Supplied with Item 34)	183706
37	Valve, Drain - Nylon (Optional)	42037-1
38	Valve, Drain - Brass (Standard)	26273-4
39	Valve, Main Gas Shutoff	181737
40	Valve, Combination Control - Natural	<u>183760-2</u>
41	Valve, Combination Control - Propane	<u>183760-3</u>
42	Valve, T & P	<u>43151-2</u>

NOTE: Underlined parts are recommended stock items for emergency replacement.

Consider gas used in your area only.

* Not illustrated.