

A. O. SMITH

WATER PRODUCTS COMPANY

PSD-1-205/a

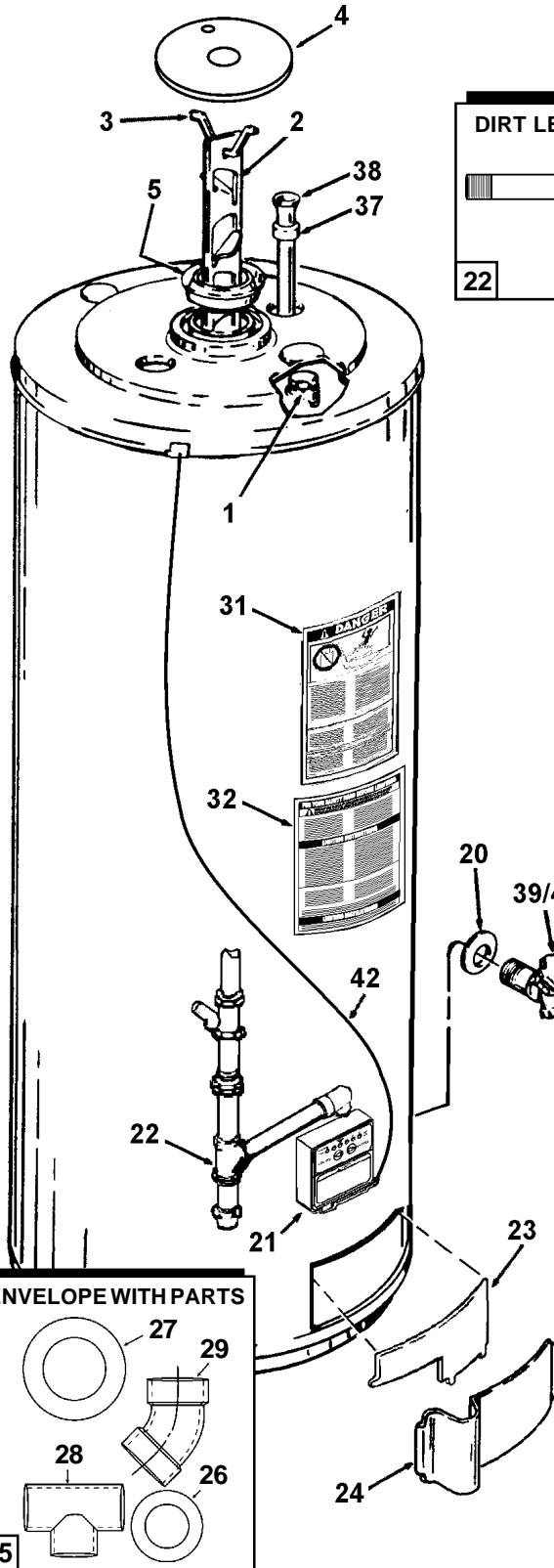
GAS

RESIDENTIAL WATER HEATER PARTS LIST

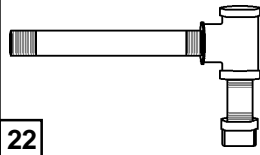
MODELS FPSH 40 - 50

FPCR 40 - 50

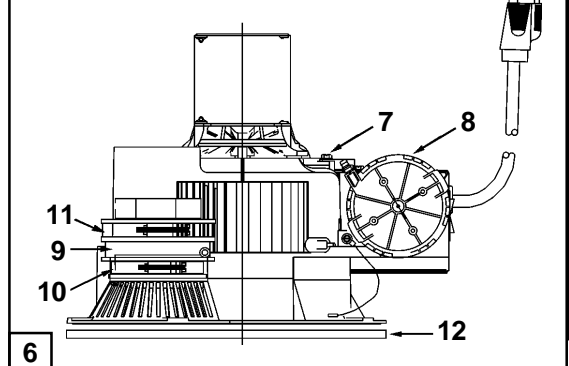
SERIES 270/271/270E



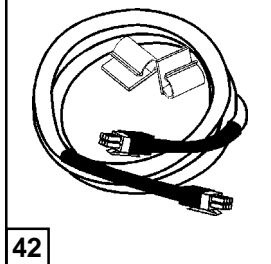
DIRT LEG ASSEMBLY



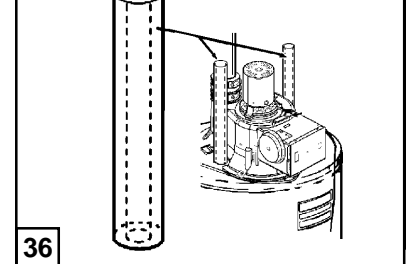
BLOWER ASSEMBLY



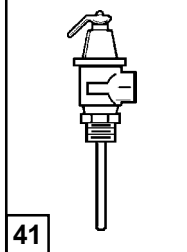
WIRE HARNESS



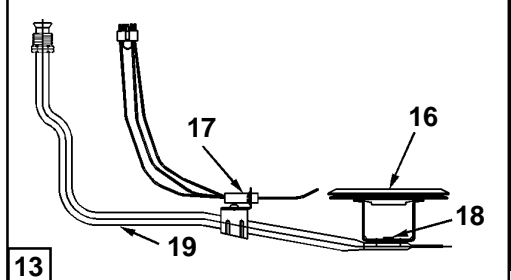
PIPE INSULATION



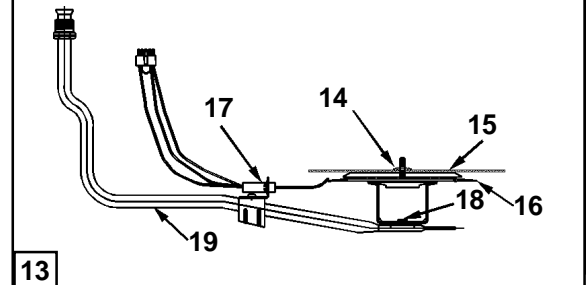
T & P RELIEF VALVE



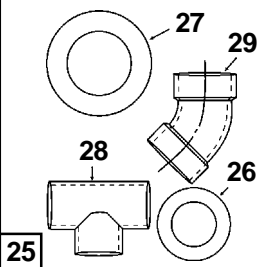
270/271 SERIES BURNER ASSEMBLY



270E SERIES BURNER ASSEMBLY



ENVELOPE WITH PARTS



A. O. SMITH
WATER PRODUCTS
COMPANY
PSD / Alsip, IL

A. O. SMITH WATER PRODUCTS COMPANY

5621 W. 115TH STREET • ALSIP, ILLINOIS 60803

PHONE: 1-800-433-2545 • FAX: 1-800-433-2515

Website: www.aosmithwaterheaters.com • Email: parts@hotwater.com

Item	Description	FPCR 40 270	FPCR-40 271	FPCR-40 270E	FPCR-50 270	FPCR-50 271
1	Anode, Aluminum Alloy	183523-26	183523-26	183523-26	183523-29	183523-29
2	Baffle, Flue	181382	181382	181382	181382	181382
3	Baffle, Hanger	181360-2	181360-2	181360-2	181360-2	181360-2
4	Plate, Flue Restrictor	183482	183482	183482	183482	183482
5	Ring, Flue Restrictor	34894-1	34894-1	34894-1	34894-1	34894-1
6	Blower Assembly	<u>183505</u>	<u>183505</u>	<u>183505</u>	<u>183505</u>	<u>183505</u>
7	Limit Switch	<u>183380-2</u>	<u>183380-2</u>	<u>183380-2</u>	<u>183380-2</u>	<u>183380-2</u>
8	Pressure Switch	21245	21245	21245	21245	21245
9	Adapter, Exhaust	183508	183508	183508	183508	183508
10	Hose Clamp, 3 1/2"	183545	183545	183545	183545	183545
11	Hose Clamp, 4"	183545-1	183545-1	183545-1	183545-1	183545-1
12	Gasket, Blower	183507	183507	183507	183507	183507
13	Burner Assembly, Natural Gas	184050-8	- - - -	184052-2	184050-9	- - - -
13	Burner Assembly, Propane Gas	- - - -	184050-10	- - - -	- - - -	184050-11
14	Hex Nut	- - - -	- - - -	183717	- - - -	- - - -
15	NOx Screen	- - - -	- - - -	183619	- - - -	- - - -
16	Burner, Main - Natural	183325	- - - -	183630	183325	- - - -
16	Burner, Main - Propane	- - - -	183325	- - - -	- - - -	183325
17	Igniter Assembly, Hot Surface	<u>184047</u>	<u>184047</u>	<u>184047</u>	<u>184047</u>	<u>184047</u>
18	Orifice, Main Burner - Natural	181508-30	- - -	181508-31	181508-31	- - - -
18	Orifice, Main Burner - Propane	- - - -	181791-50	- - - -	- - - -	181791-48
19	Burner Tube Assembly - Natural	184048-2	- - - -	184051-2	184048-3	- - - -
19	Burner Tube Assembly - Propane	- - - -	184049-2	- - - -	- - - -	184049-3
20	Collar, Pipe	20172-21	20172-21	20172-21	20172-21	20172-21
21	Combination Gas Valve - Natural	<u>183760-2</u>	- - - -	<u>183760-2</u>	<u>183760-2</u>	- - - -
21	Combination Gas Valve - Propane	- - - -	<u>183760-3</u>	- - - -	- - - -	<u>183760-3</u>
22	Dirt Leg Assembly	181206-1	181206-1	181206-1	181206-1	181206-1
23	Door, Inner	183491	183491	183491	183491	183491
24	Door, Outer	180522	180522	180522	180522	180522
25	Envelope with Parts	183509	183509	183509	183509	183509
26	Wall Plate, 2"	182787	182787	182787	182787	182787
27	Wall Plate, 3"	181557	181557	181557	181557	181557
28	Vent Terminal Assembly, 2"	183571	183571	183571	183571	183571
29	Vent Terminal, 3"	192815	192815	192815	192815	192815
*30	Label, Electrical Diagram	183765	183765	183765	183765	183765
*31	Label, Flammable Vapor/Scald Warning	183301	183301	183301	183301	183301
*32	Label, Lighting & Operating Instruction	183764	183764	183764	183764	183764
*33	Label, Relief Valve	180078	180078	180078	180078	180078
*34	Label, Temperature	182734	182734	182734	182734	182734
35	Owner's Manual	183794	183794	183794	183794	183794
36	Pipe Insulation, 2'	181639-1	181639-1	181639-1	181639-1	181639-1
37	Spacer, Inlet Tube	42589-1	42589-1	42589-1	42589-1	42589-1
38	Tube, Inlet	183359-41	183359-41	183359-41	183359-45	183359-45
39	Valve, Drain - Brass	26273-6	26273-6	26273-6	26273-6	26273-6
40	Valve, Drain - Plastic	42037-3	42037-3	42037-3	42037-3	42037-3
41	Valve, T & P Relief	<u>43151-2</u>	<u>43151-2</u>	<u>43151-2</u>	<u>43151-2</u>	<u>43151-2</u>
42	Wire Harness	<u>183506-1</u>	<u>183506-1</u>	<u>183506-1</u>	<u>183506-1</u>	<u>183506-1</u>

NOTE: Underlined parts are recommended stock items for emergency replacement. Consider gas used in your area only.
* Not illustrated.



A. O. SMITH
WATER PRODUCTS
COMPANY

A.O. SMITH WATER PRODUCTS COMPANY
5621 W. 115TH STREET • ALSIP, ILLINOIS 60803
Phone: 1-800-433-2545 • Fax: 1-800-433-2515
Website: www.aosmithwaterheaters.com • E-mail: parts@hotwater.com