

# A. O. SMITH

## WATER PRODUCTS COMPANY

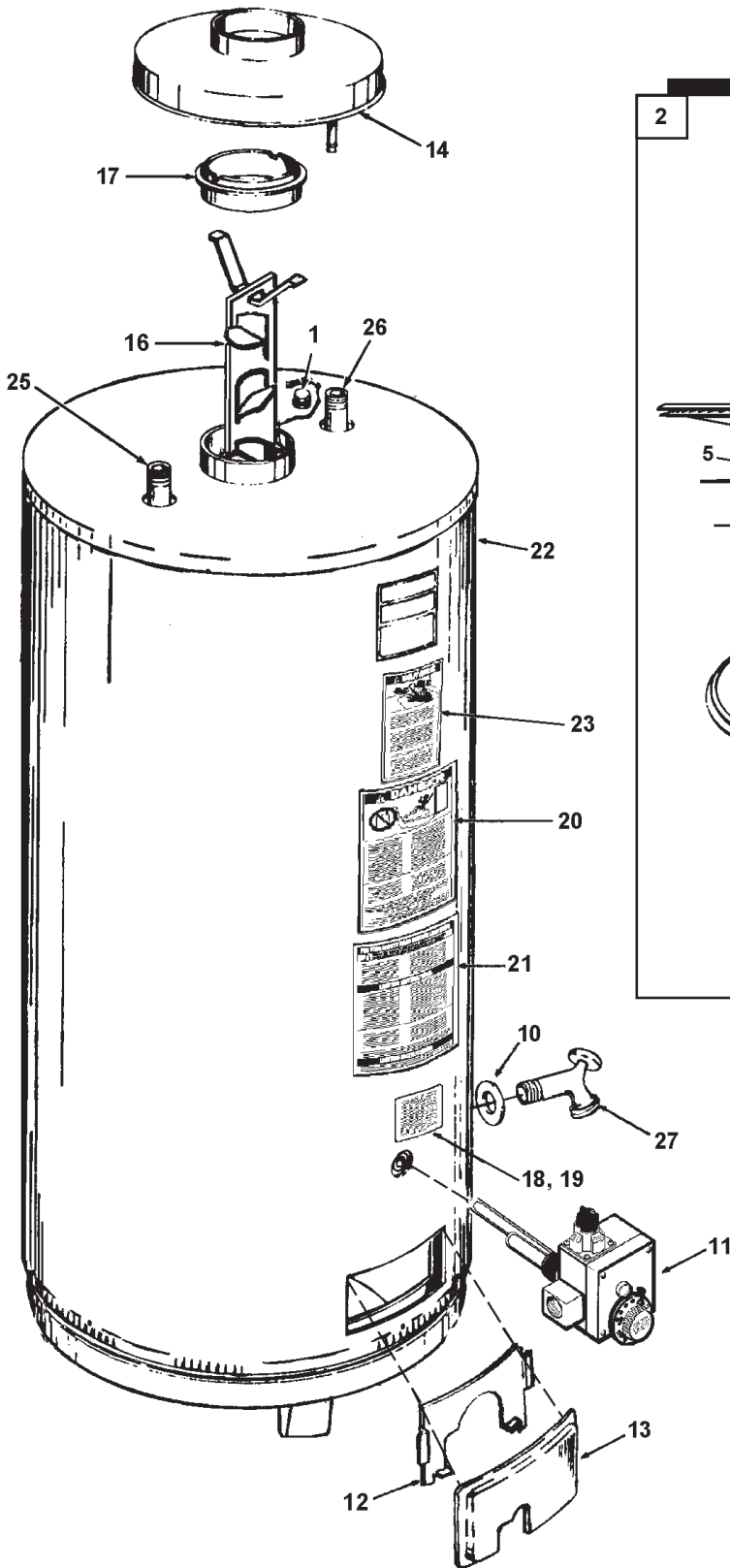
PSD-1-201

# GAS

RESIDENTIAL WATER HEATERS

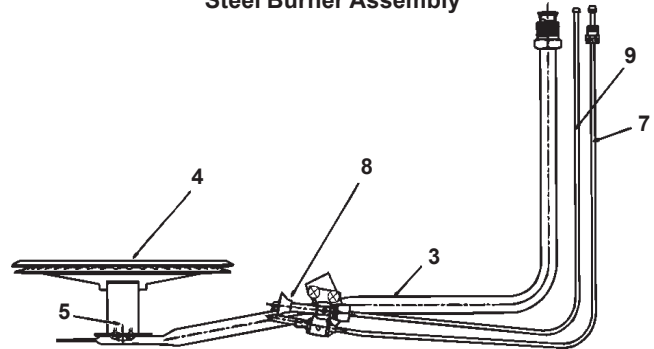
### REPLACEMENT PARTS LIST

MODELS: PGC/FCG/FGR/FSG 75,100  
SERIES: 244, 244E, 245, 250, 250E & 251

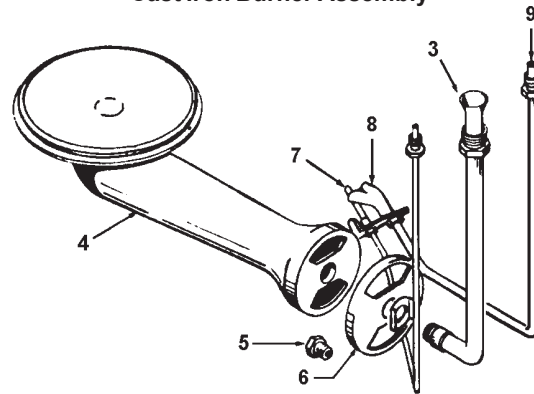


2

#### BURNER ASSEMBLY, NATURAL GAS Steel Burner Assembly

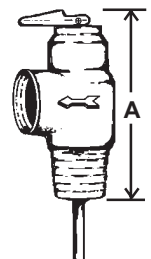


#### BURNER ASSEMBLY, PROPANE GAS Cast Iron Burner Assembly



#### 3/4" T&P RELIEF VALVE AUTOMATIC, SELF-CLOSING TYPES

PART NUMBER	PRESS	A =	TEMP RELIEF
43151-2	150 LBS.	4 1/2"	210°
76527-3	150 LBS.	3 11/16"	210°



28

#### BRACE, DRAFTHOOD



15

ITEM#	DESCRIPTION	PGC 75			FCG 75	
		244	245	250	250	251
1	Anode Rod, Aluminum Alloy				183523-36	183523-36
1	Anode Rod, Magnesium	183463-39	183463-39	183463-39		
<b>BURNER COMPONENTS</b>						
2	Burner Assembly, Natural Gas	<u>6618</u>		<u>194553</u>	<u>194553</u>	
2	Burner Assembly, Propane Gas		<u>181786-1</u>			<u>181786-1</u>
3	Burner Tube	<u>39114-1</u>	<u>181784</u>	<u>194561</u>	<u>194561</u>	<u>181784</u>
4	Burner, Cast Iron	<u>41157-7</u>	<u>41157-8</u>			<u>41157-8</u>
4	Burner, Steel			<u>194549</u>	<u>194549</u>	
5	Orifice, Main Burner - Natural Gas	<u>29366-22</u>		<u>181508-21</u>	<u>181508-21</u>	
5	Orifice, Main Burner - Propane Gas		<u>181778-38</u>			<u>181778-38</u>
6	Shutter, Air	<u>35376-1</u>				
7	Thermocouple	<u>35489-2</u>	<u>35489-2</u>	<u>194621</u>	<u>194621</u>	<u>35489-2</u>
8	Pilot Burner, Natural Gas	<u>160228</u>		<u>194550-2</u>	<u>194550-2</u>	
8	Pilot Burner, Propane Gas		<u>160228-1</u>			<u>160228-1</u>
9	Pilot Tube Kit	<u>1417-60</u>	<u>1417-60</u>	<u>1417-60</u>	<u>1417-60</u>	<u>1417-60</u>
10	Collar, Pipe	<u>20172-21</u>	<u>20172-21</u>	<u>20172-21</u>	<u>20172-21</u>	<u>20172-21</u>
11	Combination Gas Valve, Natural Gas	<u>180193-5</u>		<u>180193-5</u>	<u>180193-5</u>	
11	Combination Gas Valve, Propane Gas		<u>182792-2</u>			<u>182792-2</u>
12	Door, Inner	<u>39923</u>	<u>39923</u>	<u>39923</u>	<u>39923</u>	<u>39923</u>
13	Door, Outer	<u>39112-1</u>	<u>39112-1</u>	<u>39112-1</u>	<u>39112-1</u>	<u>39112-1</u>
14	Draft Hood	<u>39072-200</u>	<u>39072-200</u>	<u>39072-4</u>	<u>39072-4</u>	<u>39072-4</u>
15	Brace, Draft Hood	<u>194309</u>	<u>194309</u>	<u>194309</u>	<u>194309</u>	<u>194309</u>
16	Flue Baffle Assembly	<u>194332</u>	<u>194332</u>	<u>194332</u>	<u>194332</u>	<u>194332</u>
17	Restrictor, Flue	<u>35405</u>	<u>35405</u>	<u>35405</u>	<u>35405</u>	<u>35405</u>
24*	Owner's Manual	<u>183519</u>	<u>183519</u>	<u>183519</u>	<u>183519</u>	<u>183519</u>
25	Pipe Nipple	<u>194139-1</u>	<u>194139-1</u>	<u>194139-1</u>	<u>194139-1</u>	<u>194139-1</u>
26	Tube, Inlet	<u>183512</u>	<u>183512</u>	<u>183512</u>	<u>183512</u>	<u>183512</u>
27	Valve, Drain (Brass)	<u>26273-7</u>	<u>26273-7</u>	<u>26273-7</u>	<u>26273-7</u>	<u>26273-7</u>
28	Valve, Relief - T & P	<u>76527-3</u>	<u>76527-3</u>	<u>76527-3</u>	<u>76527-3</u>	<u>76527-3</u>
<b>LABELS</b>						
18	Label - California WARNING	<u>181376</u>	<u>181376</u>	<u>181376</u>	<u>181376</u>	<u>181376</u>
19	Label - Caution	<u>41259</u>	<u>41259</u>	<u>41259</u>	<u>41259</u>	<u>41259</u>
20	Label - Flammable Vapor/Scald	<u>183300</u>	<u>183300</u>	<u>183300</u>	<u>183300</u>	<u>183300</u>
21	Label - Lighting & Operating	<u>182852</u>	<u>182852</u>	<u>182798</u>	<u>182798</u>	<u>182852</u>
22	Label - Relief Valve	<u>180078</u>	<u>180078</u>	<u>180078</u>	<u>180078</u>	<u>180078</u>
23	Label - Temperature	<u>182734</u>	<u>182734</u>	<u>182734</u>	<u>182734</u>	<u>182734</u>
<b>SMR H43 Installed T&amp;P, High Temperature Inlet Tube</b>						
26	Tube, Inlet - PS	<u>194891</u>	<u>194891</u>	<u>194891</u>		
28	Valve, Relief - T & P	<u>76527-3</u>	<u>76527-3</u>	<u>76527-3</u>		
<b>SMR S19 Magnesium Anode</b>						
1	Anode Rod, Magnesium	<u>183463-39</u>	<u>183463-39</u>	<u>183463-39</u>	<u>183463-39</u>	<u>183463-39</u>
<b>SMR S44 High Temperature Inlet Tube &amp; Magnesium Anode</b>						
1	Anode Rod, Magnesium	<u>183463-39</u>	<u>183463-39</u>	<u>183463-39</u>		
26	Tube, Inlet - PS	<u>194891</u>	<u>194891</u>	<u>194891</u>		

\* Not illustrated. Part numbers underlined are recommended stock items.

FGR 75		FSG 75			
250	250E	244	244E	245	250
183523-36	183523-36	183523-36	183523-36	183523-36	183523-36
194553-1	194553-1	6618	194553	181786-1	194553
194561-1	194561-1	39114-1	194561	181784	194561
194549	194549	41157-7	194549	41157-8	194549
181508-21	181508-21	29366-22	181508-21	181778-38	181508-21
194621	194621	35376-1	194621	35489-2	194621
194550-2	194550-2	160228	194550-2	160228-1	194550-2
1417-60	1417-60	1417-60	1417-60	1417-60	1417-60
20172-21	20172-21	20172-21	20172-21	20172-21	20172-21
182791-3	182791-3	180193-5	180193-5	182792-2	180193-5
39923	39923	39923	39923	39923	39923
39112-1	39112-1	39112-1	39112-1	39112-1	39112-1
39072-4	39072-4	39072-200	39072-4	39072-200	39072-4
194309	194309	194309	194309	194309	194309
194332	194332	194332	194332	194332	194332
35405	35405	35405	35405	35405	35405
183519	183519	183519	183519	183519	183519
194139-1	194139-1	194139-1	194139-1	194139-1	194139-1
183512	183512	183512	183512	183512	183512
26273-6	26273-6	26273-7	26273-7	26273-7	26273-7
43151-2	43151-2	76527-3	76527-3	76527-3	76527-3
181376	181376	181376	181376	181376	181376
41259	41259	41259	41259	41259	41259
183300	183300	183300	183300	183300	183300
182798	182798	182852	182798	182852	182798
180078	180078	180078	180078	180078	180078
182734	182734	182734	182734	182734	182734
194891	194891	194891	194891	194891	194891
43151-2	43151-2	76527-3	76527-3	76527-3	76527-3
183463-39	183463-39	183463-39	183463-39	183463-39	183463-39
183463-39	183463-39	183463-39	183463-39	183463-39	183463-39
194891	194891	194891	194891	194891	194891

PGC 100

ITEM#	DESCRIPTION	244	244E	245	250
1	..... Anode Rod, Aluminum Alloy .....				
1	..... Anode Rod, Magnesium .....	183463-48	183463-48	183463-48	183463-48
<b>BURNER COMPONENTS</b>					
2	..... Burner Assembly, Natural Gas .....	<u>180653-9</u>	<u>194553-2</u>		<u>194553-2</u>
2	..... Burner Assembly, Propane Gas .....			<u>181786-1</u>	
3	..... Burner Tube .....	39114-1	194561-1	181784	194561-1
4	..... Burner, Cast Iron .....	<u>41157-8</u>		<u>41157-8</u>	
4	..... Burner, Steel .....		<u>194549</u>		
5	..... Orifice, Main Burner - Natural Gas .....	29366-21	181508-19		181508-19
5	..... Orifice, Main Burner - Propane Gas .....			<u>181778-38</u>	
6	..... Shutter, Air .....	35376-1			
7	..... Thermocouple .....	<u>35489-2</u>	<u>194621</u>	<u>35489-2</u>	
8	..... Pilot Burner, Natural Gas .....	<u>160228</u>	<u>194550-2</u>		<u>194550-2</u>
8	..... Pilot Burner, Propane Gas .....			<u>160228-1</u>	
9	..... Pilot Tube Kit .....	<u>1417-60</u>	<u>1417-60</u>	<u>1417-60</u>	<u>1417-60</u>
10	..... Collar, Pipe .....	20172-21	20172-21	20172-21	20172-21
11	..... Combination Gas Valve, Natural Gas .....	<u>180193-5</u>	<u>180193-5</u>		<u>180193-5</u>
11	..... Combination Gas Valve, Propane Gas .....			<u>182792-2</u>	
12	..... Door, Inner .....	39923	39923	39923	
13	..... Door, Outer .....	39112-1	39112-1	39112-1	39112-1
14	..... Draft Hood .....	39072-200	39072-4	39072-200	39072-4
15	..... Brace, Draft Hood .....	194309	194309	194309	194309
16	..... Flue Baffle Assembly .....	194332	194332	194332	194332
17	..... Restrictor, Flue .....	35405	35405	35405	35405
24*	..... Owner's Manual .....	183519	183519	183519	
25	..... Pipe Nipple .....	41319	41319	41319	
26	..... Tube, Inlet .....	183712	183712	183712	
27	..... Valve, Drain (Brass) .....	26273-7	26273-7	26273-7	26273-7
28	..... Valve, Relief - T & P .....	76527-3	76527-3	76527-3	76527-3
<b>LABELS</b>					
18	..... Label - California WARNING .....	181376	181376	181376	181376
19	..... Label - Caution .....	41259	41259	41259	41259
20	..... Label - Flammable Vapor/Scald .....	183300	183300	183300	183300
21	..... Label - Lighting & Operating .....	182852	182798	182852	182798
22	..... Label - Relief Valve .....	180078	180078	180078	180078
23	..... Label - Temperature .....	182734	182734	182734	182734
<b>SMR H43 Installed T&amp;P, High Temperature Inlet Tube</b>					
26	..... Tube, Inlet - PS .....	194054-1	194054-1	194054-1	194054-1
29	..... Valve, Relief - T & P .....	76527-3	76527-3	76527-3	76527-3
<b>SMR S19 Magnesium Anode</b>					
1	..... Anode Rod, Magnesium .....	183463-48	183463-48	183463-48	183463-48
<b>SMR S44 High Temperature Inlet Tube &amp; Magnesium Anode</b>					
1	..... Anode Rod, Magnesium .....	183463-48	183463-48	183463-48	183463-48
26	..... Tube, Inlet - PS .....	194054-1	194054-1	194054-1	194054-1

\* Not illustrated. Part numbers underlined are recommended stock items.



FSG 100

ITEM#	DESCRIPTION	244	244E	245	250
1	Anode Rod, Aluminum Alloy	183523-48	183523-48	183523-48	183523-48
1	Anode Rod, Magnesium				
<b>BURNER COMPONENTS</b>					
2	Burner Assembly, Natural Gas	<u>180653-9</u>	<u>194553-2</u>		<u>194553-2</u>
2	Burner Assembly, Propane Gas			<u>181786-1</u>	
3	Burner Tube	39114-1	194561-1	181784	194561-1
4	Burner, Cast Iron	41157-8		41157-8	
4	Burner, Steel		194549		194549
5	Orifice, Main Burner - Natural Gas	29366-21	181508-19		181508-19
5	Orifice, Main Burner - Propane Gas			181778-38	
6	Shutter, Air	35376-1			
7	Thermocouple	<u>35489-2</u>	<u>194621</u>	<u>35489-2</u>	<u>194621</u>
8	Pilot Burner, Natural Gas		<u>194550-2</u>		<u>194550-2</u>
8	Pilot Burner, Propane Gas			<u>160228-1</u>	
9	Pilot Tube Kit	<u>1417-60</u>	<u>1417-60</u>	<u>1417-60</u>	<u>1417-60</u>
10	Collar, Pipe	20172-21	20172-21	20172-21	20172-21
11	Combination Gas Valve, Natural Gas	<u>180193-5</u>	<u>180193-5</u>		<u>180193-5</u>
11	Combination Gas Valve, Propane Gas			<u>182792-2</u>	
12	Door, Inner		39923	39923	39923
13	Door, Outer	39112-1	39112-1	39112-1	39112-1
14	Draft Hood	39072-200	39072-4	39072-200	39072-4
15	Brace, Draft Hood	194309	194309	194309	194309
16	Flue Baffle Assembly	194332	194332	194332	194332
17	Restrictor, Flue	35405	35405	35405	35405
24*	Owner's Manual		183519	183519	183519
25	Pipe Nipple		41319	194135	194135
26	Tube, Inlet		183712	183712	183712
27	Valve, Drain (Brass)	26273-7	26273-7	26273-7	26273-7
28	Valve, Relief - T & P	76527-3	76527-3	76527-3	76527-3
<b>LABELS</b>					
18	Label - California WARNING	181376	181376	181376	181376
19	Label - Caution	41259	41259	41259	41259
20	Label - Flammable Vapor/Scald	183300	183300	183300	183300
21	Label - Lighting & Operating	182852	182798	182852	182798
22	Label - Relief Valve	180078	180078	180078	180078
23	Label - Temperature	182734	182734	182734	182734
<b>SMR H43 Installed T&amp;P, High Temperature Inlet Tube</b>					
26	Tube, Inlet - PS	194054-1	194054-1	194054-1	194054-1
29	Valve, Relief - T & P	76527-3	76527-3	76527-3	76527-3
<b>SMR S19 Magnesium Anode</b>					
1	Anode Rod, Magnesium	183463-48	183463-48	183463-48	183463-48
<b>SMR S44 High Temperature Inlet Tube &amp; Magnesium Anode</b>					
1	Anode Rod, Magnesium	183463-48	183463-48	183463-48	183463-48
26	Tube, Inlet - PS	194054-1	194054-1	194054-1	194054-1

\*Not illustrated. Part numbers underlined are recommended stock items.



**A.O. SMITH WATER PRODUCTS COMPANY**  
 5621 W. 115TH STREET • ALSIP, ILLINOIS 60803  
 Phone: 1-800-433-2545 • Fax: 1-800-433-2515  
 website: www.hotwater.com • email: parts@hotwater.com

