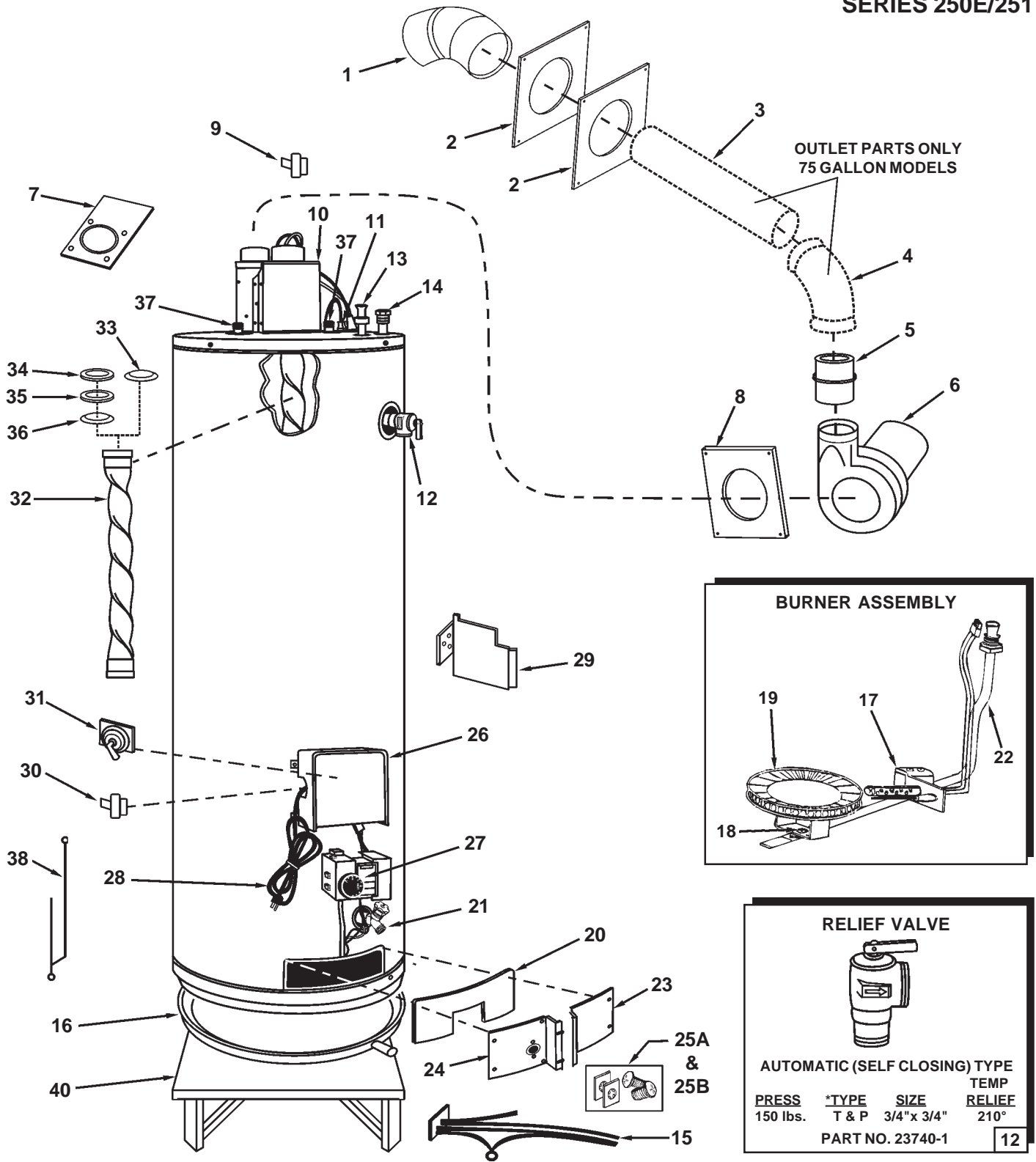
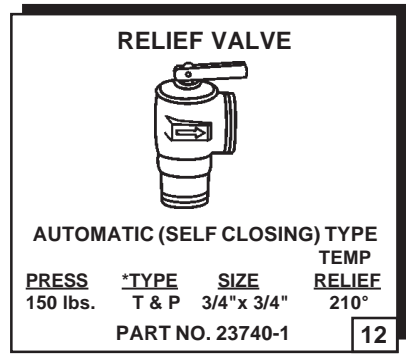
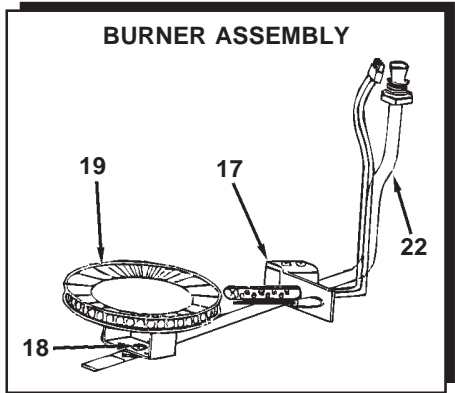


WATER PRODUCTS COMPANY

RESIDENTIAL WATER HEATER PARTS LIST
 MODELS FPD 40(T), 50(T) & 75(T)
 SERIES 250E/251



OUTLET PARTS ONLY
 75 GALLON MODELS



A.O. SMITH WATER PRODUCTS CO., INC.
 5621 W. 115TH STREET • ALSIP, ILLINOIS 60803
 Phone: 1-800-433-2545 • Fax: 1-800-433-2515
 www.hotwater.com • e-mail: parts@hotwater.com

Item	Description	FPD 40(T)	FPD 50(T)	FPD 75(T)	FPD 75(T)
		250E	250E	250E	251
1	Vent Cap w/Screen	900195-7	900195-7	900195-7	900195-7
2	Adapter, Flue Mounting	900272-8	900272-8	900272-8	900272-8
3	5' ABS Schedule 40 Vent Pipe	- - -	- - -	900210-6	900210-6
4	90° ABS Schedule 40 Elbow	- - -	- - -	900210-7	900210-7
5	Vent/Blower Adapter	900250-6	900250-6	900250-6	900250-6
6	Blower	900250-7	900250-7	900266-9	900266-9
7	Flue Adapter Gasket (6"x 10.102")	900256-7	900256-7	900256-7	900256-7
8	Blower Gasket	900250-8	900250-8	900250-8	900250-8
9	Hi-Limit Switch, Manual Reset	900267-8	900267-8	900267-8	900267-8
10	Vent Hood Assembly	900250-9	900250-9	900267	900267
11	Gasket, Wiring	900251-9	900251-9	900251-9	900251-9
12	T & P Relief Valve	23740-1	23740-1	23740-1	23740-1
13	Dip Tube	900236-5	900236	900236-5	900236-5
14	Anode, Aluminum	900002-9	900002-9	900279	900279
15	Wiring Harness	900252	900252	900252	900252
16	Drain Pan	900276-9	900276-9	900160-8	900160-8
17	Hot Surface Ignition Assembly	900251-8	900251-8	900251-8	900251-8
18	Orifice, Main Burner - Natural	900252-8	900252-8	23027-9	- - -
18	Orifice, Main Burner - Propane	- - -	- - -	- - -	23026
19	Main Burner Assembly - Natural	900241-1	900241-1	900304	- - -
19	Main Burner Assembly - Propane	- - -	- - -	- - -	900304-8
20	Inner Door	900028-1	900028-1	900028-1	900028-1
21	Drain Valve	900005-8	900005-8	900005-8	900005-8
22	Burner Tube - Natural	900251-6	900251-6	900265-4	- - -
22	Burner Tube - Propane	- - -	- - -	- - -	900265-5
23	Right Access Door w/Gasket	900069-5	900069-5	900069-5	900069-5
24	Left Access Door w/Gasket	900069-6	900069-6	900069-6	900069-6
25a	Access Door Clips (2)	900069-4	900069-4	900069-4	900069-4
25b	Jacket/Access Door Clips (8)	900130-5	900130-5	900130-5	900130-5
26	Cover, Pressure Switch (Air)	900256-9	900256-9	900256-9	900256-9
27	Thermostat, Gas - Natural	900251-4	900251-4	900251-4	- - -
27	Thermostat, Gas - Propane	- - -	- - -	- - -	900251-5
28	Power Cord	900309-5	900309-5	900309-5	900309-5
29	Mounting Bracket	900251-2	900251-2	900251-2	900251-2
30	On/Off Switch	900177-3	900177-3	900177-3	900177-3
31	Pressure Switch (Air)	900256-8	900264-3	900256-8	900256-8
32	Flue Baffle Assembly	900251	900263-2	900265-3	900265-3
33	Baffle Adapter Collar Assembly	900257	- - -	- - -	- - -
34	Flue Adapter	- - -	- - -	900129-0	900129
35	Adapter Gasket	- - -	- - -	900129-2	900129-2
36	Adapter Plate w/Gasket	- - -	- - -	900129-3	900129-3
37	Nipple, PEX lined 3/4 NPT x 2 1/2"	900039-9	900039-9	900039-9	900039-9
37	Heat Trap Nipple, Inlet & Outlet (Used on "T" models)	900041-5	900041-5	900041-5	900041-5
38	Harness, Motor Wire	139003-8	139003-8	139003-8	139003-8
39	Owner's Manual*	183771	183771	183771	183771
40	Stand, Water Heater	900142-2	900142-2	- - -	- - -
LABELS					
	Label, T&P (4.5" x 4.25")*	900333-2	900333-2	900333-2	900333-2
	Label, Warning (5.5"x1.75")*	900333-2	900333-2	900333-2	900333-2
	Label, R G Danger (13.75" x 6.75")*	900333-2	900333-2	900333-2	900333-2
	Label, PV Shock Warning (3.5" x 1.0")*	900333-2	900333-2	900333-2	900333-2
	Label, PV Warning (4.0" x 1.5")*	900333-2	900333-2	900333-2	900333-2
	Label, PDV Wiring Diagram (5.625" x 5.5")*	900333-2	900333-2	900333-2	9000333-2
	Label, Operating Instr., Power Direct Vent*	900333-2	900333-2	900333-2	9000333-2
	Label, Scald Warning*	900333-2	900333-2	900333-2	900333-2
SMR K32					
14	Anode, Magnesium	900182-9	900073-5	900073-4	900073-4
18	Orifice, Main Burner - NATURAL GAS Hi-Alt.	900252-6	900252-6	?	- - -
18	Orifice, Main Burner - PROPANE GAS Hi-Alt.	- - -	- - -	- - -	?
SMR S19					
14	Anode, Magnesium	900182-9	900073-4	900073-4	900073-4

* Not illustrated.