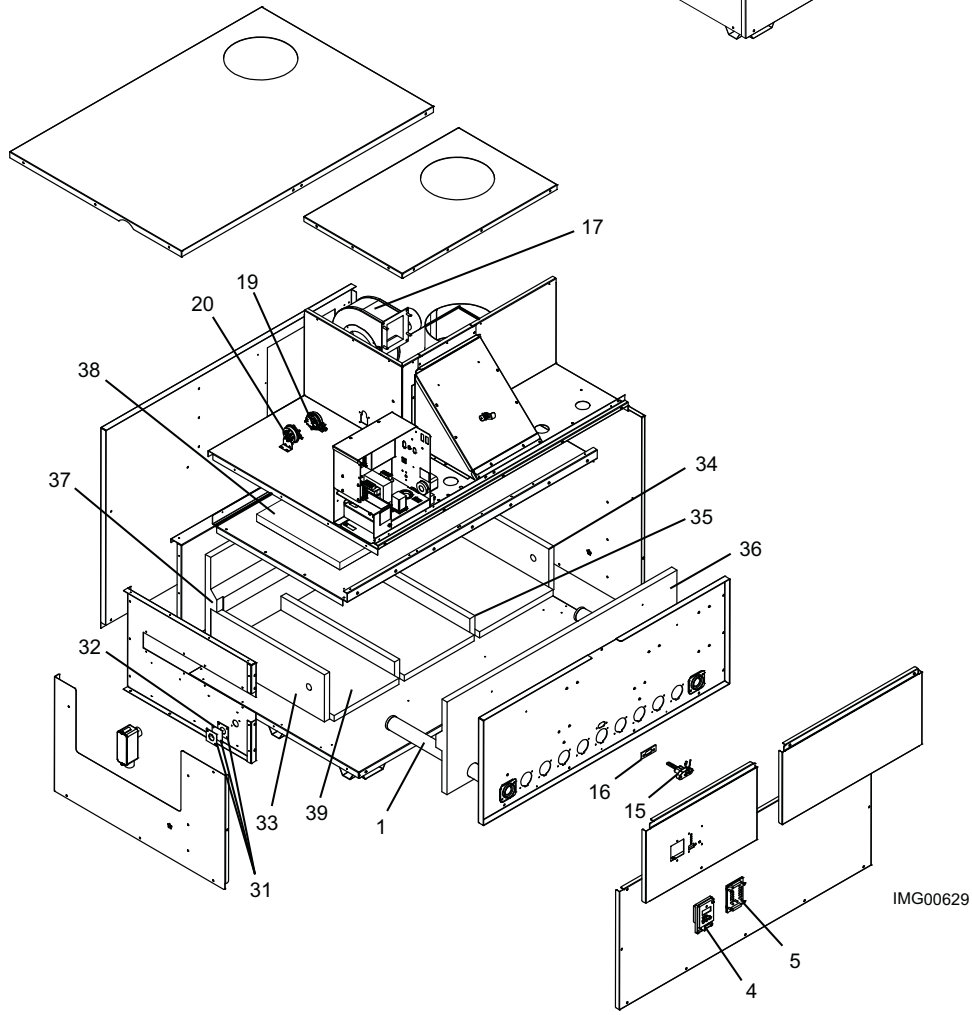
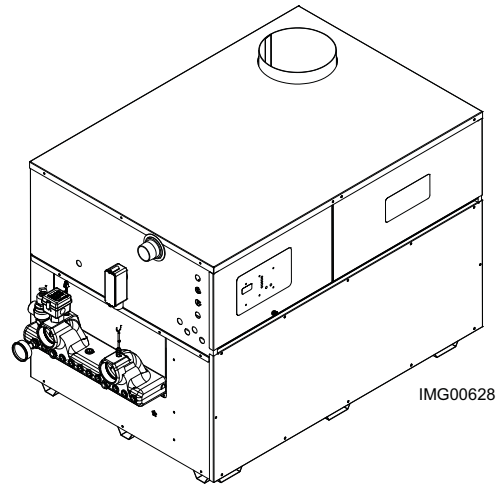
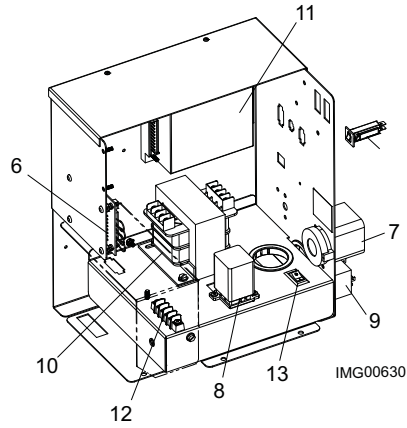


Replacement Parts List

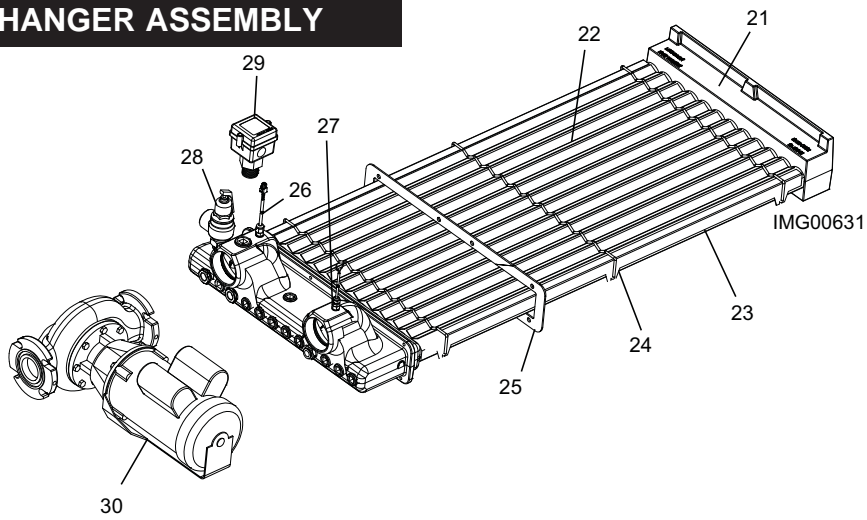
Genesis™ Water Heaters Models 1000 - 2100



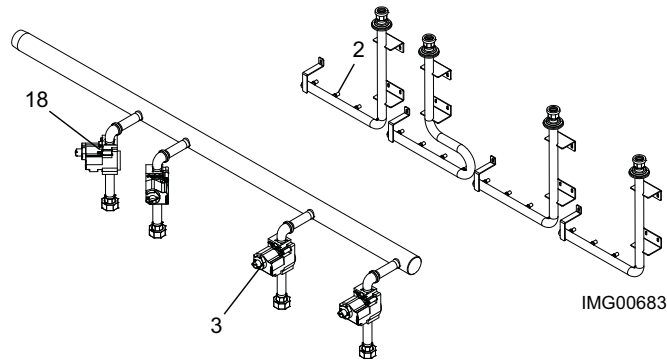
CONTROL PANEL ASSEMBLY



HEAT EXCHANGER ASSEMBLY



GAS TRAIN ASSEMBLY



ITEM NO.	PART NO.	DESCRIPTION	MODEL NO.
----------	----------	-------------	-----------

BURNERS

1
9008625005 is Main Burner

9008626005 is Main Burner
w/ compression fitting.

MODEL	9008625005	9008626005
1000	10 ea	1 ea
1250	13 ea	1 ea
1450	15 ea	1 ea
1800	19 ea	1 ea
2100	22 ea	1 ea

PLEASE HAVE MODEL AND SERIAL NUMBER WHEN ORDERING PARTS

ITEM NO.	PART NO.	DESCRIPTION	MODEL NO.
GAS TRAIN ASSEMBLIES			
2	9008627005	ORIFICE, NAT	ALL
2	9008628005	ORIFICE, LP	ALL
3	9008627005	GAS VALVE, NAT	ALL
3	9008628005	GAS VALVE, LP	ALL
CONTROLS & GAUGES			
4	9008555005	ELECTRONIC TEMP CONTROL	ALL
5	9008556005	DISPLAY BOARD	ALL
6	9008557005	BOARD, CONNECTOR	ALL
7	9008825005	HIGH LIMIT , MANUAL RESET	ALL
8	9008558005	RELAY,24 VAC	ALL
9	9008559005	RELAY,24 VOLT COIL	ALL
10	9008560005	TRANSFORMER, 150VA	ALL
11	9008561005	IGNITION MODULE	ALL
12	9008647005	TERMINAL STRIP	ALL
13	9008563005	SWITCH, ON / OFF	ALL
14	9008633005	CIRCUIT BREAKER, 7 AMP	ALL
15	9008568005	HOT SURFACE IGNITOR	ALL
16	9008569005	GASKET, IGNITOR	ALL
17	9008564005	FAN ASSEMBLY	1000-1450
17	9008634005	FAN ASSEMBLY	1800 & 2100
18	9008635005	PRESSURE SWITCH, GAS, NAT ONLY	ALL
19	9008636005	PRESSURE SWITCH	1000
19	9008566005	PRESSURE SWITCH	1250
19	9008637005	PRESSURE SWITCH	1450
19	9008638005	PRESSURE SWITCH	1800
19	9008639005	PRESSURE SWITCH	2100
20	9008566005	PRESSURE SWITCH	ALL
HEAT EXCHANGERS			
21	9008640005	HEAT EXCHANGER, HLW	1000
21	9008641005	HEAT EXCHANGER, HLW	1250
21	9008642005	HEAT EXCHANGER, HLW	1450
21	9008643005	HEAT EXCHANGER, HLW	1800
21	9008644005	HEAT EXCHANGER, HLW	2100
22	9008650005	V-BAFFLE (11 REQ)	1000
22	9008651005	V-BAFFLE (11 REQ)	1250
22	9008652005	V-BAFFLE (11 REQ)	1450
22	9008653005	V-BAFFLE (11 REQ)	1800
22	9008654005	V-BAFFLE (11 REQ)	2100
23	9008631005	FRAME RUNNER (2 REQ)	1000
23	9008632005	FRAME RUNNER (2 REQ)	1250
23	9008648005	FRAME RUNNER (2 REQ)	1450
23	9008645005	FRAME RUNNER (2 REQ)	1800
23	9008646005	FRAME RUNNER (2 REQ)	2100
24	9008655005	RETAINER V-BAFFLE (3 REQ)	ALL
25	9008656005	GASKET, FRONT HEADER	ALL
26	9008587005	SENSOR, DUAL IMMERSION, OUTLET	ALL
27	9008657005	SENSOR, IMMERSION, INLET	ALL
28	9008590005	RELIEF VALVE, TEMPERATURE & PRESSURE	ALL
29	9008584005	FLOW SWITCH, OUTDOOR	ALL
29	9008585005	FLOW SWITCH, INDOOR	ALL
PUMPS			
30	9008658005	PUMP	ALL
MISCELLANEOUS			
31	9008593005	SIGHT GLASS AND GASKET KIT	ALL
32	9008594005	GASKET, SIGHT GLASS	ALL
-	9008624005	GASKET, STRIP 45"	ALL
-	9008659005	FILTER	ALL
-	9008599005	GASKET, BURNER	ALL
PLEASE HAVE MODEL AND SERIAL NUMBER WHEN ORDERING PARTS			

ITEM NO.	PART NO.	DESCRIPTION	MODEL NO.
MISCELLANEOUS (CONTINUED)			
-	9008698005	SENSOR, TANK	ALL
-	9008758005	BULBWELL	ALL
-	9008660005	LOW WATER CUT-OFF, MANUAL RESET (OPTIONAL)	ALL
-	9008661005	LOW WATER CUT-OFF, AUTO RESET (OPTIONAL)	ALL
-	9008662005	LOW WATER CUT-OFF PROBE (OPTIONAL)	ALL
-	9008663005	LOW WATER CUT-OFF BOOT (OPTIONAL)	ALL
LOCH-HEAT TILE			
33	9008664005	LOCH-HEAT TILE, FRONT HEAD SIDE	ALL
34	9008665005	LOCH-HEAT TILE, REAR HEAD SIDE	ALL
35	9008666005	LOCH-HEAT TILE, DIVIDER	ALL
36	9008667005	LOCH-HEAT TILE, FRONT DOOR	1000
36	9008668005	LOCH-HEAT TILE, FRONT DOOR	1250
36	9008669005	LOCH-HEAT TILE, FRONT DOOR LEFT	1450
36	9008670005	LOCH-HEAT TILE, FRONT DOOR RIGHT	1450
36	9008671005	LOCH-HEAT TILE, FRONT DOOR LEFT	1800
36	9008672005	LOCH-HEAT TILE, FRONT DOOR RIGHT	1800
36	9008673005	LOCH-HEAT TILE, FRONT DOOR LEFT	2100
36	9008674005	LOCH-HEAT TILE, FRONT DOOR RIGHT	2100
37	9008675005	LOCH-HEAT TILE, BACK	1000
37	9008676005	LOCH-HEAT TILE, BACK	1250
37	9008677005	LOCH-HEAT TILE, BACK LEFT	1450
37	9008678005	LOCH-HEAT TILE, BACK LEFT	1800
37	9008679005	LOCH-HEAT TILE, BACK LEFT	2100
37	9008680005	LOCH-HEAT TILE, BACK RIGHT	1450-2100
38	9008681005	INSULATION PAD, TOP	1000
38	9008682005	INSULATION PAD, TOP	1250
38	9008683005	INSULATION PAD, TOP	1450
38	9008684005	INSULATION PAD, TOP	1800
38	9008685005	INSULATION PAD, TOP	2100
39	9008686005	LOCH-HEAT TILE, LEFT BOTTOM	1000
39	9008687005	LOCH-HEAT TILE, MIDDLE BOTTOM	1000
39	9008688005	LOCH-HEAT TILE, RIGHT BOTTOM	1000
39	9008689005	LOCH-HEAT TILE, LEFT BOTTOM	1250
39	9008687005	LOCH-HEAT TILE, MIDDLE BOTTOM (2)	1250
39	9008690005	LOCH-HEAT TILE, RIGHT BOTTOM	1250
39	9008691005	LOCH-HEAT TILE, LEFT BOTTOM	1450
39	9008687005	LOCH-HEAT TILE, MIDDLE BOTTOM (2)	1450
39	9008692005	LOCH-HEAT TILE, RIGHT BOTTOM	1450
39	9008693005	LOCH-HEAT TILE, LEFT BOTTOM	1800
39	9008687005	LOCH-HEAT TILE, MIDDLE BOTTOM (3)	1800
39	9008694005	LOCH-HEAT TILE, RIGHT BOTTOM	1800
39	9008695005	LOCH-HEAT TILE, LEFT BOTTOM	2100
39	9008687005	LOCH-HEAT TILE, MIDDLE BOTTOM (3)	2100
39	9008696005	LOCH-HEAT TILE, MIDDLE BOTTOM (1)	2100
39	9008697005	LOCH-HEAT TILE, RIGHT BOTTOM	2100
PLEASE HAVE MODEL AND SERIAL NUMBER WHEN ORDERING PARTS			