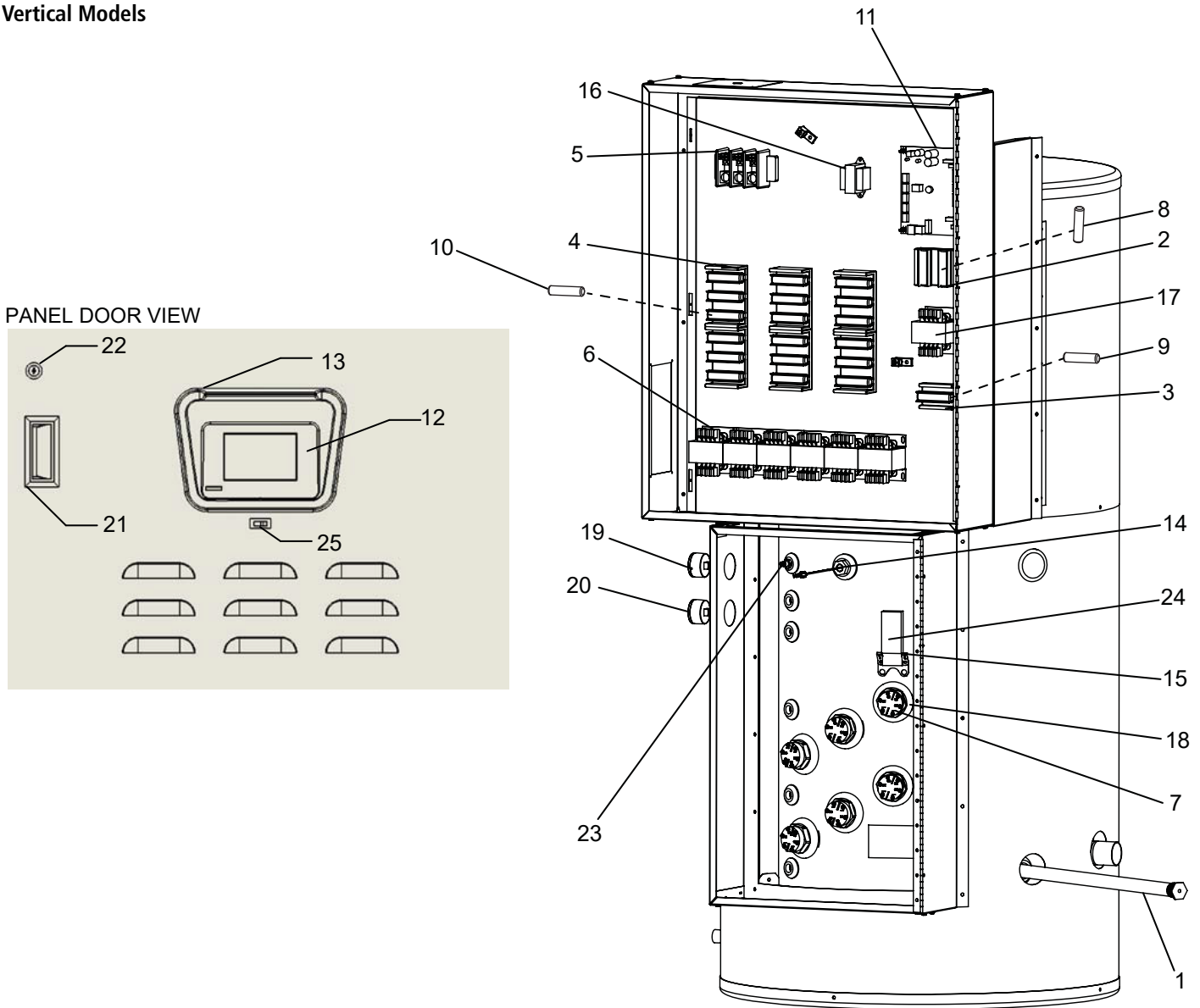
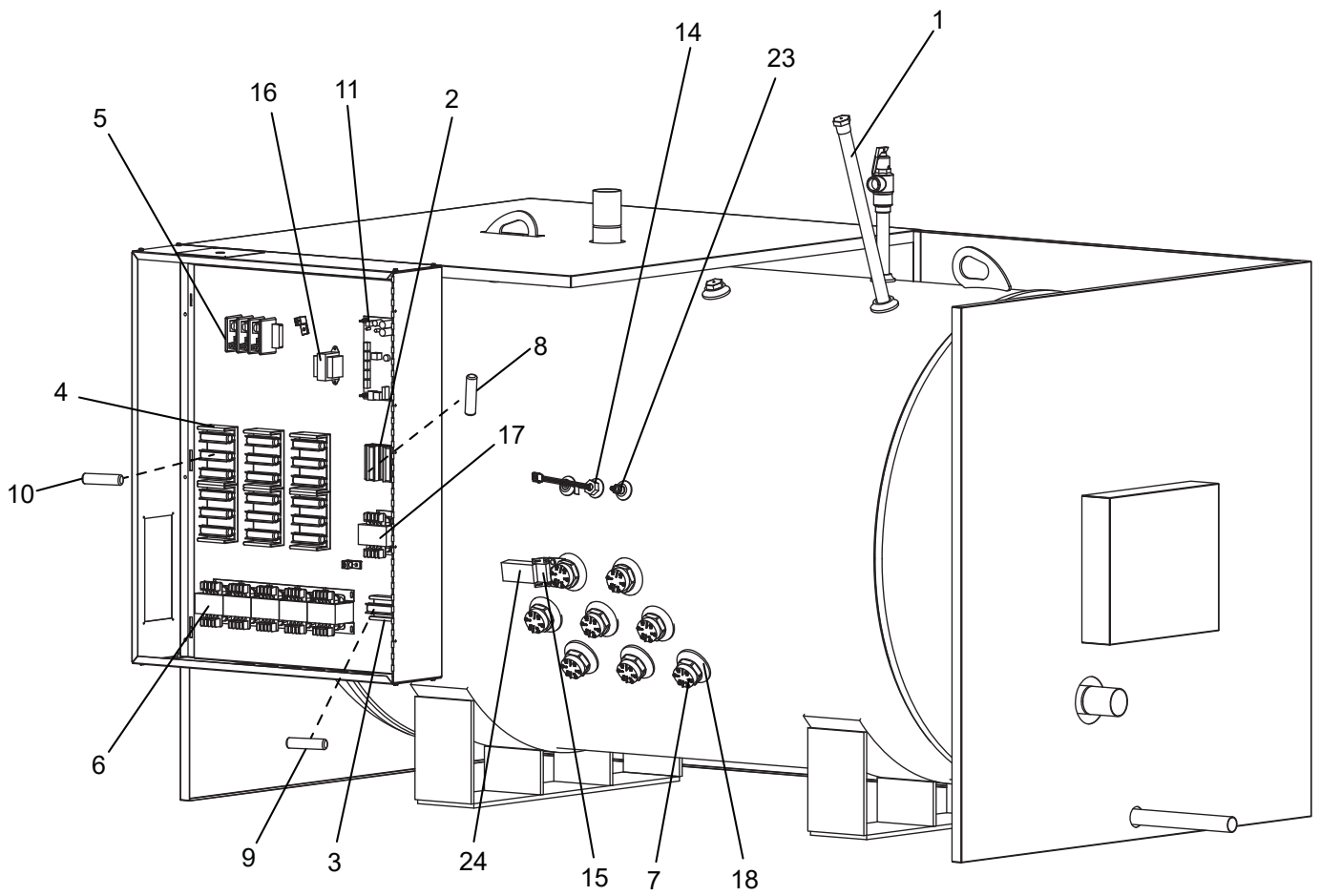


Commercial Electric Large Volume ASME Vertical and Horizontal 0150 - 1000

Vertical Models



Horizontal Models





REPLACEMENT PARTS LIST

ITEM NO.	PART NO.	DESCRIPTION	MODEL NO.
ANODE RODS			
1	100208654	ANODE ROD, 1" NPT X 24" LONG	DVE/SEV 150 GAL & 200 GAL (2 REQ) DHE/SEH 250 GAL & 300 GAL (3 REQ)
1	100232745	ANODE ROD, 1" NPT X 36" LONG	DVE/SEV 500 - 600 GAL (3 REQ) DHE/SEH 400 - 600 GAL (3 REQ) DVE/SEV & DHE/SEH 800 - 1000 GAL (4 REQ)
1	100208663	ANODE ROD, 1" NPT X 48" LONG	DVE/SEV & DHE/SEH 1250 - 1500 GAL (4 REQ)
1	100173722	ANODE ROD, 1" NPT X 62" LONG	DVE/SEV 250 GAL & 300 GAL (1 REQ) DVE/SEV & DHE/SEH 2000 - 2500 GAL (4 REQ)
1	100208664	ANODE ROD, 3/4" NPT X 52" LONG	DVE/SEV 400 GAL (2 REQ)
FUSE BLOCKS			
2	100134585	FUSE BLOCK (PRIMARY CONTROL CIRCUIT)	600V, 30A*
2	100134587	FUSE BLOCK (PRIMARY CONTROL CIRCUIT)	250V, 30A*
3	100134586	FUSE BLOCK (SECONDARY CONTROL CIRCUIT)	ALL
4	100134576	FUSE BLOCK	300V, 60A*
4	100134577	FUSE BLOCK	600V, 60A*
TERMINAL BLOCKS			
5	100134578	TERMINAL BLOCK	600V, 310A, 2 POLE
5	100134580	TERMINAL BLOCK	600V, 175A, 3 POLE
5	100134581	TERMINAL BLOCK	600V, 310A, 3 POLE
5	100134582	TERMINAL BLOCK	600V, 380A, 3 POLE
CONTACTORS			
6	100208805	CONTACTOR, 50 AMP	ALL

SCREW-IN TYPE ELEMENTS - 1 1/2" NPT								
	WATTAGE	208 VOLT	240 VOLT	380 VOLT	400 VOLT	415 VOLT	480 VOLT	600 VOLT
		PART NO.	PART NO.	PART NO.	PART NO.	PART NO.	PART NO.	PART NO.
7	12000	100142621	100142620	100142627	100142595	100142624	100142619	100142633
7	15000	100142618	100142617	100142626	100142596	100142623	100142616	100442632
7	18000	100142615	N/A	100142622	100142597	100142625	100142613	100142631

FUSES			
8	100208810	FUSE, 600V (PRIMARY CONTROL CIRCUIT)	15 AMP*
9	100146032	FUSE, 250V	15 AMP*
10	100208813	FUSE, 300V	35 AMP*
10	100146027	FUSE, 300V	40 AMP*
10	100146028	FUSE, 300V	50 AMP*
10	100208814	FUSE, 300V	60 AMP*
10	100146020	FUSE, 600V	35 AMP*
10	100208812	FUSE, 600V	40 AMP*
10	100146022	FUSE, 600V	50 AMP*
10	100146030	FUSE, 600V	60 AMP*

THERMOSTATS			
11	100191726	BOARD, CONTROL	ALL
12	100054257	BOARD, DISPLAY, COMMUNICATION	ALL
13	100055737	BEZEL, DISPLAY	ALL
14	100055771	PROBE, TEMPERATURE	ALL
15	100148391	HI LIMIT	ALL

**PLEASE HAVE MODEL NUMBER AND SERIAL NUMBER WHEN ORDERING PARTS.
*VOLTAGE AND AMPERAGE INFORMATION IS ON THE PART**



REPLACEMENT PARTS LIST

ITEM NO.	PART NO.	DESCRIPTION	MODEL NO.
TRANSFORMERS			
16	100055977	TRANSFORMER, 120-24V	ALL
17	100170196	TRANSFORMER, 240/480-120V	UP TO 100VA
17	100170195	TRANSFORMER, 240/480-120V	101-150VA
17	100170194	TRANSFORMER, 240/480-120V	151-250VA
17	100170198	TRANSFORMER, 240/480-120V	251-350VA
17	100170197	TRANSFORMER, 380/208-120V	UP TO 100VA
17	100170199	TRANSFORMER, 380/208-120V	101-250VA
17	100170202	TRANSFORMER, 415/600-120V	UP TO 50VA
17	100170203	TRANSFORMER, 415/600-120V	51 - 250VA
MISCELLANEOUS			
18	100208099	GASKET, ELEMENT SCREW-IN	ALL
19	100146974	GAUGE, TEMPERATURE 30 - 240°F	OPTIONAL
20	100146975	GAUGE, PRESSURE 0 - 160 PSI	OPTIONAL
21	100162622	HANDLE, DOOR	ALL
22	100163065	LOCK, KEY	ALL
23	100208662	PROBE, LWCO	ALL
23	100077601	PROBE, LWCO	OPTIONAL
23	100155464	PROBE, LWCO EXTENTION, 7-1/2"	OPTIONAL
24	100089388	COVER, HI LIMIT	ALL
25	100162634	PILOT SWITCH WITH LIGHT	ALL
-	100208445	100208445 RELIEF VALVE 125# W.P.	ALL
-	100208444	RELIEF VALVE 150# W.P.	OPTIONAL
-	100148421	HINGE	ALL
-	100163058	SAFETY DOOR INTERLOCK	OPTIONAL
-	100167652	RELAY, 120V (USED WITH MULTIPLE CONTROL BOARDS)	ALL
-	100055435	CABLE COMMUNICATION	ALL
-	100055820	OVERLAY DISPLAY	ALL
-	100173640	BOOT, LWCO	ALL
-	100170098	PUMP	HORIZONTAL
-	100146294	GASKET, HAND HOLE 4" X 6", ONE BOLT	OPTIONAL
-	100208765	GASKET, MANWAY 11" X 15"	OPTIONAL
-	100208766	GASKET, MANWAY 12" X 16"	OPTIONAL
-	100163051	ALARM BELL	OPTIONAL
-	100233706	GASKET, SIX BOLT ASME	ALL
-	100162873	COVER, CLEANOUT SIX BOLT ASME	ALL
-	100163048	BLOCK-OFF PLATE, ELEMENT ACCESS SCREW-IN TYPE	ALL