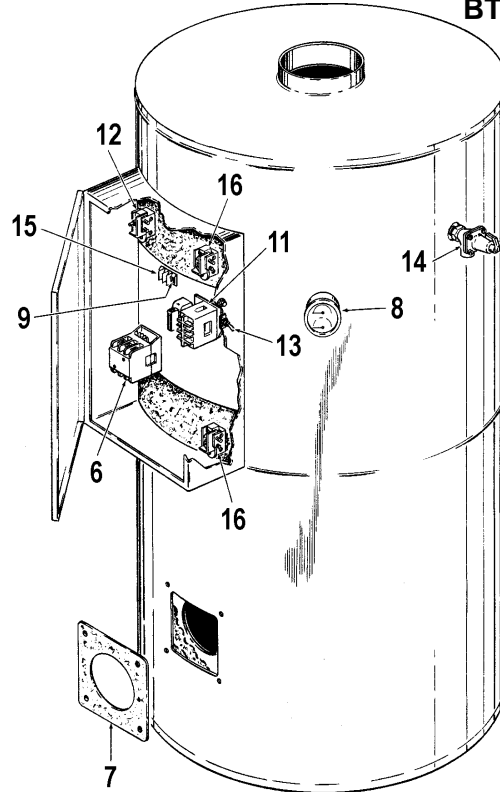
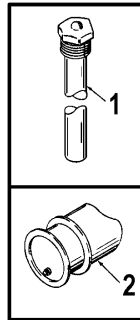
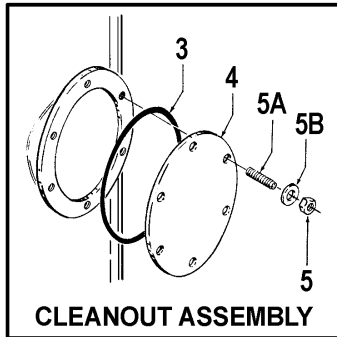


COMMERCIAL POWER BURNER TANK TYPE WATER HEATER REPLACEMENT PARTS LIST

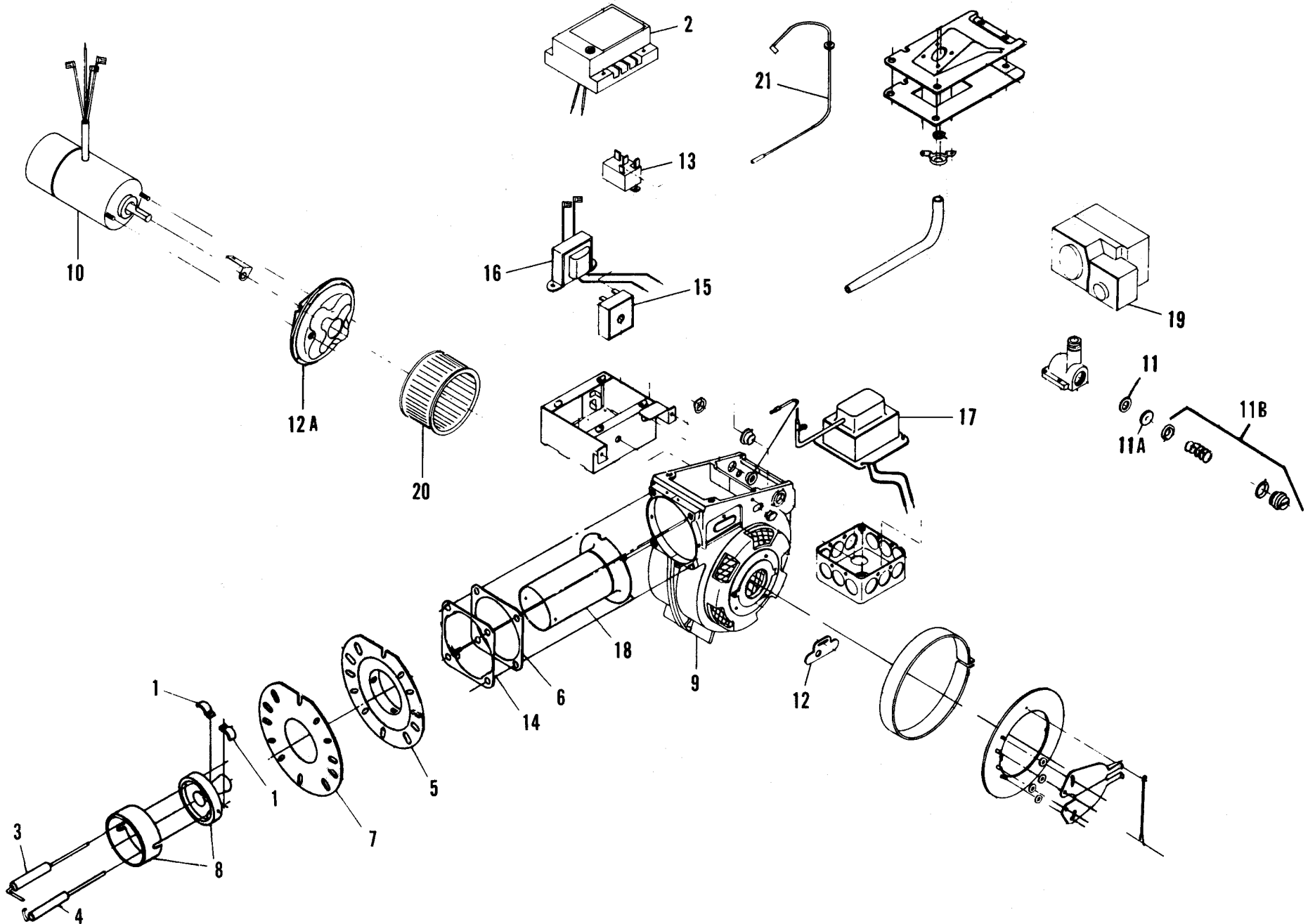
MODELS BTP-125-140 THRU BTP-125-720/BTP-200-300 THRU BTP-200-1500/
BTP-300-300 THRU BTP-300-1500/BTP-400-600 THRU BTP-400-2500/
BTP-600-700 THRU BTP-600-2500



Item	Description	Part Number	Item	Description	Part Number
1	Anode, Plug	95433-2	5	Nut, Hex 3/8"	5990-1
	BTP-125-140 thru BTP-125-720	(two used)	5A	Stud, Allen Head	5990
	BTP-200-300 thru BTP-200 thru 600 and		5B	Washer, 5/16"	5990-2
	BTP-300-300 thru BTP-300-600	(three used)	6	Contactors, 3 Pole, 50 AMP (120V)	5102-3
	BTP-200-1000 thru BTP-200-,500, BTP-300-1000		7	Gasket, Burner	
	thru BTP-300-1500 and BTP-400-600 thru			G-2SD	5955-1
	BTP-400-1250	(four used)		J15A-10, J30A-12	5955-2
	BTP-400-1500 thru BTP-400-2000	(five used)		CR2-G-15, CR2-G-20A	5955-3
	BTP-400-2250 thru BTP-400-2500 and		8	Gauge, Pressure & Temperature	5250
	BTP-600-720 thru BTP-600-2500	(six used)	9	Ground, Lug	5291
2	Barometric Draft Regulators		10	Probe, Low Water Cutoff	5106
	BTP-125-140	5700-6	11	Relay, Low Water Cutoff	5105
	BTP-125-199, BTP-125-270, BTP-200-300 and		12	Switch, High Limit. Manual Reset 220°F	
	BTP-300-300	5700		Models BTP-600-720 thru BTP-600-2500 only	5218
	BTP-125-400	5700-7		All Other Models	5107
	BTP-125-540, BTP-200-600, BTP-300-600 and		13	Switch, Pilot (On-Off) 120V	5110
	BTP-400-600	5700-1	14	Temperature and Pressure Valves (125 lbs.)	
	BTP-125-720, BTP-200-600, BTP-200-1000,			BTP-125-140 and BTP-125-199	5235
	BTP-300-600, BTP-300-1000, BTP-400-600,			BTP-125-270 thru BTP-125-720, BTP-200-300	
	BTP-400-1000, BTP-600-720 and			thru BTP-200-1000, BTP-300-300 thru	
	BTP-600-1000	5700-2		BTP-300-1000, BTP-400-600 thru	
	BTP-200-1250, BTP-200-1500, BTP-300-1250,			BTP-400-1000, BTP-600-720 thru	
	BTP-300-1500, BTP-400-1250, BTP-400-1500,			BTP-600-2000	5235-2
	BTP-600-1250 and BTP-600-1500	5700-3		BTP-200-1250 thru BTP-200-1500, BTP-300-1250	
	BTP-400-1750, BTP-400-2000, BTP-600-1750			thru BTP-300-1500, BTP-400-1250 thru	
	and BTP-600-2000	5700-4		BTP-400-2000, BTP-600-1250 thru	
	BTP-400-2250, BTP-400-2500, BTP-600-2250			BTP-600-2000	9770
	and BTP-600-2500	5700-5		BTP-400-2250 thru BTP-400-2500,	
	Cleanout Assembly			BTP-600-2250 thru BTP-600-2500	5235-3
3	Gasket, O-Ring	75670-501	15	Terminal Strip	5798
4	Pressure Plate	160332-2	16	Thermostat, Range 94°F to 194°F	5145

A.O. SMITH WATER PRODUCTS CO., INC.
5621 W. 115TH STREET • ALSIP, ILLINOIS 60803
PHONE: 1-800-433-2545 • FAX: 1-800-433-2515
www.hotwater.com/parts

POWER BURNER MODEL G-2SD



POWER BURNER MODEL G-2SD

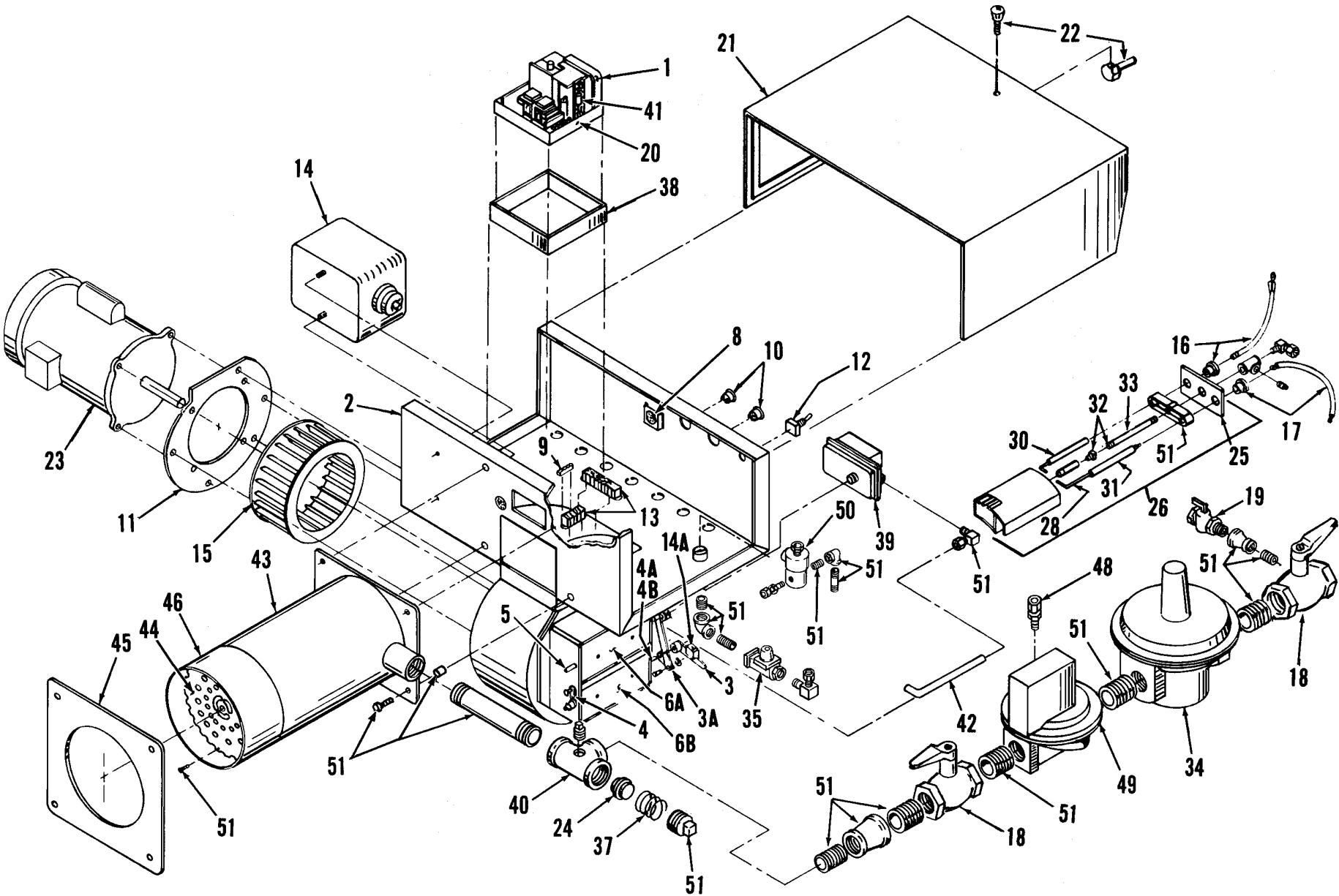
<u>Item</u>	<u>Description</u>	<u>Part Number</u>
1	Clamp, Electrode	5861
2	Control, Primary	5855
3	Electrode Assembly, Flame Proving	5859
4	Electrode Assembly, Ignition	5860
5	Flange, Mounting	5865
6	Gasket, Flange/Housing	5863
7	Gasket, Mounting Flange	5866
8	Head Assembly (Includes Items 1, 3,4)	5858
9	Housing Assembly	5885
10	Motor, Blower	5850
11	Orifice	(SEE CHART)
11A	Orifice, Auxiliary	5870
11B	Orifice, Cap and O-Ring Kit	5873-1
12	Plate, Escutcheon	5897
12A	Plate, Motor Mounting	5852
13	Relay	5888
14	Retainer, Air Tube	5864
15	Timer	5891
16	Transformer 25V	5889
17	Transformer, Ignition	5890
18	Tube, Blast.	5862
19	Valve, Gas	5880
20	Wheel, Blower.	5851
21	Wire, Flame Proving Connecting	5879

Standard hardware items may be purchased locally.

ORIFICE CHART

Models	Burner Number	Natural Gas Orifice		Propane Gas Orifice	
		Part No	(Decimal)	Part No	(Decimal)
BTP 125-140	G-2SD	5867-281	.281	5867-221	.221
BTP 125-199	G-2SD	5867-323	.323	567-257	.257

POWER BURNER MODELS J-15A-10 AND J-30A-12



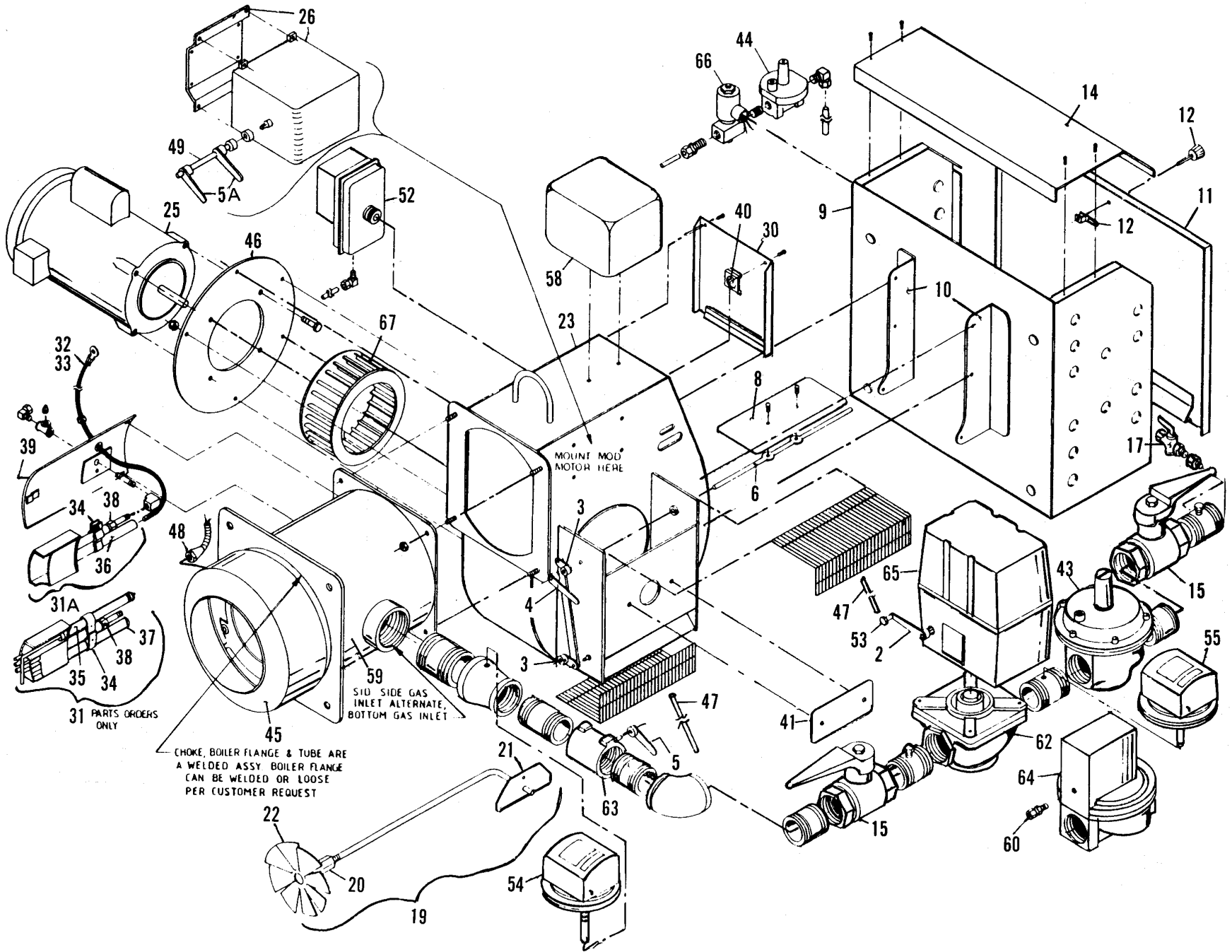
POWER BURNER MODELS J-15A-10 AND J-30A-12

Item	Description	Part Number	Item	Description	Part Number
1	Amplifier		21	Hood Assembly	5735
	Flame Rod Pilot, Green Amp	5701	22	Latch & Knob, Door	5736
2	Blower Housing, Cabinet & Damper Assembly	5721	23	Motor, Blower	
3	Arm Crank	5754		J15/A1/4HP	5705
3A	*Arm, Damper	5723		J30/A1/3H.P	5705-1
	Arm, Locking		24	Orifice, Side (Main Burner)	(SEE CHART)
4A	Tapped Fixed Air	5724	25	Plate, Pilot Back	5743
4B	Adjustable Air	5724-1	26	Pilot Assembly	
5	Axle, Damper	5725		Propane	5706
	Blade, Damper			Natural	5706-1
6	Upper	5726	28	Flame Rod With Porcelain	5744
6A	Lower	5726-2	30	Ignition, Electrode	5746
7	*Cross Link	5727	31	Insulator, Porcelain (Only for Flame Rod)	5745
8	Glass, Sight	5729	32	Orifice, Pilot	
9	Grounding Bar	5730		Natural	5709
10	Light, Signal			Propane	5709-1
	Amber	5728	33	Tubing, Aluminum Pilot	5748
	White	5728-1	34	Regulator, Gas Pressure (Natural and Propane).	
11	Plate, Motor (Not Included In Assembly)			J15/A	5741
	J15/A 5722			J30/A	5741-1
	J30/A 5722-1		35	Regulator, Pilot	5742
12	Switch, Control	5732	37	Spring, Side Orifice	5751
13	Terminal Strip	5731	38	Sub-Base	5703
14	Transformer, Ignition	5734	39	Switch, Air	5752
14A	Weight, Damper	5726-3	40	Tee, Side Orifice	5750
15	Wheel, Blower (Not Included in Assembly)		41	Timer Control	5704
	J15/A	5733	43	Tube, Blast Assembly	5715
	J30/A	5733-1	44	Diffuser (Includes Stainless Steel Mounting Screws)	5716
16	Cable, Flame Rod (Consisting Of):		45	Flange, Boiler	5717
	Cable, #14-19 GTO 15,000	5710	47	* Valve, Auxiliary Solenoid Gas	
	#10 Stud Ring	5711		J15/A	5737
17	Cable, Ignition			J30/A	5737-1
	Cable, #14-19 GTO 15,000	5710	48	Valve, Bleed (For Diaphragm Gas Valve)	5738
	#2 Rajah Ring Terminal	5713	49	Valve, Diaphragm Gas :	
	CT-Rajah Cage Terminal	5714		J15/A	5739-5
18	Cock, Gas			J30/A	5739-4
	J15/A	5719	50	Valve, Pilot	5740
	J30/A	5719-1	51	Standard hardware items may be purchased locally	
19	Cock, Pilot	5720		*Not illustrated	
20	Control, Less Amplifiers	5978			

ORIFICE CHART

Models	Burner Number	Part No	Natural Gas Orifice (Decimal)	Part No	Propane Gas Orifice (Decimal)
BTP 125-270 BTP 200-300 BTP 300-300	J15A-10	5707-250	.250	5707-136	136
BTP 125-400	J15A-10	5707-312	.312	5707-152	152
BTP 125-540 BTP 200-600 BTP 300-600 BTP 400-600	J15A-10	5707-406	.406	5707-180	180
BTP 125-720 BTP 600-720	J30A-12	5707-500	.500	5707-205	205
BTP 200-800 BTP 300-800 BTP 400-800	J30A-12	5707-500	.500	5707-221	221
BTP 200-1000 BTP 300-1000 BTP 400-1000 BTP 600-1000	J30A-12	5707-625	.625	5707-257	257
BTP 200-1250 BTP 300-1250 BTP 400-1250 BTP 600-1250	J30A-12	5707-875	.875	5707-313	313

POWER BURNER MODELS CR2-G-15 AND CR2-G-20A



POWER BURNER MODELS CR2-G-15 AND CR2-G-20A

Item	Description	Part Number	Item	Description	Part Number
1	*Amplifier		35	Flame Rod With Porcelain (CR2-G-15)	5744
	Flame Rod Pilot, Green Amp (CR2-G-15)	5701	36	Ignition Electrode With Porcelain	5746
	Scanner Pilot, Purple Amp (CR2-G-20)	5701-1	37	Insulator, Porcelain (Flame Rod)	5745
2	Arm, Crank	5753	38	Orifice, Pilot	
3	Arm, Damper	5723-1		Natural (CR2-G-15)	5709
4	Arm, Steel Crank (Aluminum Hub Assembly For Damper 5/16" ID)	5754		Natural (CR2-G-20A)	5709-2
5	Arm, Steel Crank (Aluminum Hub Assembly For Oil Valve or Butterfly 3/8" ID)	5754-1		Propane	5709-1
5A	Arm, Steel Crank (Aluminum Hub Assembly For Extension Shaft 1/2" ID)	5754-2	39	Plate, Pilot Mounting	5743-1
6	Axle, Damper	5725-1	40	Plate, Back Sight Glass	5729
8	Blade, Damper	5726-1	41	Plate, Pump Opening (Damper Cover)	5791
	Box, Complete Panel		43	Regulator, Main Gas (Natural Only)	
9	Body, Panel Box	5756		CR2-G-15	5741-2
10	Bracket, Mounting			CR2-G-20A	5741-3
	Integral	5757	44	Regulator, Pilot	
	Remote Bottom	5757-1		CR2-G-15	5742
	Remote Top	5757-2		CR2-G-20A	5742-1
11	Door, Panel Box	5758	45	Ring, End (For Burners Before 5-11-81 Only)	5718-1
12	Latch & Knob, Door	5736	46	Ring, Motor Plate	5769
13	*Plate, Chassis	5759	47	Rod, Push	5770
14	Top, Panel Box Hinged	5760	48	Scanner (CR2-G-20A)	5712-1
15	Cock, Gas		49	Shalt, Extension (For Mod Motor)	5771
	CR2-G-15	5719-4	51	*Sub-Base	95657
	CR2-G-20	5719-5	52	Switch, Air	5752
17	Cock, Pilot Gas	5720	53	Swivel (Ball Joint)	5773
18	*Control-Less Amplifier	5702-1	54	Switch, High Gas Pressure (CR2-G-20A)	5774
19	Gas Drawer		55	Switch, Low Gas Pressure (CR2-G-20A)	5774-1
	Straight Assembly	5763-3	56	*Terminal Strip	
	Spinner Mounted Scanner	5763-4		Adapter, End Mounting	5731-1
22	Spinner			Strip, Marking	5731-2
	Photocell	5764		Terminal Block	5731
	Scanner	5764-1	57	*Timer, Control	5704
23	Housing, Blower	5721-1	58	Transformer, Ignition	5734
24	*Light, Signal		59	Tube, Blast	
	Amber	5728		CR2-G-15	5715-1
	White	5728-1		CR2-G-20	5715-3
25	Motor, Blower		60	Valve, Adjustable Bleed (CR2-G-15)	5738
	CR2-G-15 (1/2 HP)	5705-2	61	*Valve, Auxiliary Solenoid Gas:	
	CR2-G-20 (3/4 HP)	5705-4		CR2-G-15	5737-2
26	Motor, Modulating & Bracket	5765		CR2-G-20A	5737-3
27	*Orifice, Side (2")	(SEE	62	Valve Body, Gas:	
	CHART)			CR2-G-15	5777-3
28	*Spring, Orifice	5751-1		CR2-G-20A	5775-1
29	*Tee, Orifice	5750-1	63	Valve, Butterfly:	
30	Plate, Housing Back	5766		CR2-G-15	5776
	Pilot Assembly, Complete			CR2-G-20A	5776-1
31	+Flame Rod (CR2-G-15)	5706-3	64	Valve, Diaphragm Gas (CR2-G-15)	5739-2
31A	+Scanner (CR2-G-20A)	5706-4	65	Valve Operator, Gas:	
32	Cable, Ignition (Consisting Of)			CR2-G-15	5777-2
	Cable #14-19 GTO 15,000	5710		CR2-G-20A	5777-1
	*#2Rajah Ring Terminal	5713	66	Valve, Pilot:	
	*CT-11 Rajah Cage Terminal	5714		CR2-G-15	5740
33	Cable, Flame Rod (Consisting Of)			CR2-G-20A	5740-1
	Cable, #14-19 GTO 15,000	5710	67	Wheel, Blower:	
	*Stud, Ring (2)	5711		CR2-G-15	5733-2
34	Clamp, Flanged Rod & Ignition Electrode	5767-1		CR2-G-20A	5733-3
34A	Clamp, Ignition Electrode	5767	68	Standard hardware items may be purchased locally	
				*Not illustrated	
				+When ordering, tell if needed for Natural or Propane gas.	

ORIFICE CHART

Models	Burner Number	Part No	Natural Gas Orifice (Decimal)	Part No	Propane Gas Orifice (Decimal)
BTP 200-1500 BTP 300-1500 BTP 400-1500 BTP 600-1500	CR2-G-15	5708	.843	5708-5	.437
BTP 400-1750 BTP 600-1750	CR2-G-15	5708-1	.921	5708-6	.500
BTP 400-2000 BTP 600-2000	CR2-G-15	5708-2	1.000	5708-7	.531
BTP 400-2250 BTP 600-2250	CR2-G-20A	5708-3	1.437	5708-9	.562
BTP 400-2500 BTP 600-2500	CR2-G-20A	5708-4	1.812	5708-10	.652

A.O. SMITH
WATER PRODUCTS
COMPANY

A.O. SMITH WATER PRODUCTS CO., INC.
5621 W. 115TH STREET • ALSIP, ILLINOIS 60803
PHONE: 1-800-433-2545 • FAX: 1-800-433-2515
www.hotwater.com • E-mail: parts@hotwater.com