

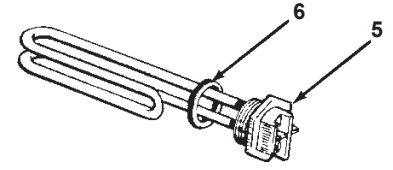
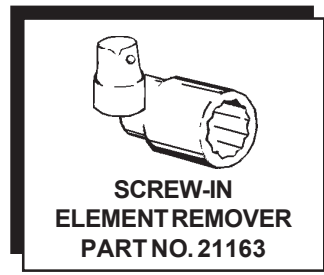
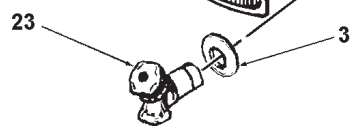
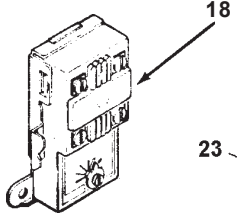
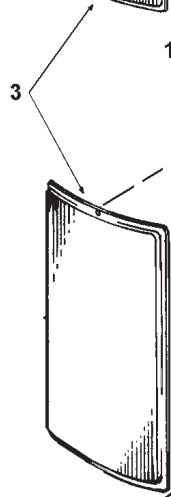
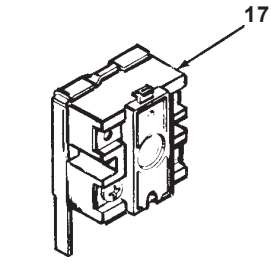
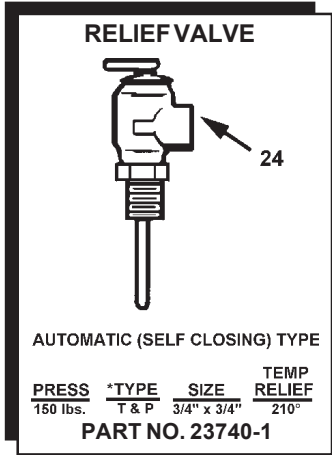
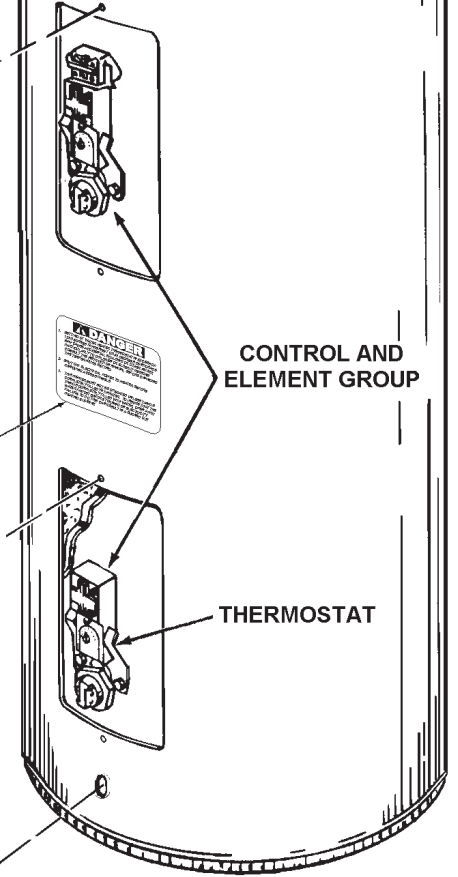
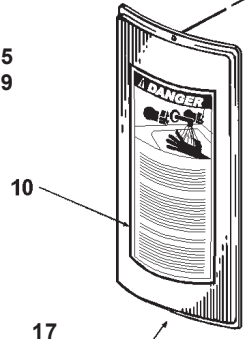
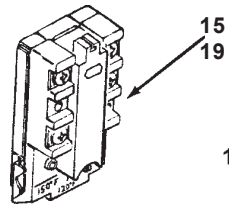
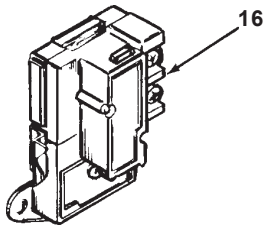
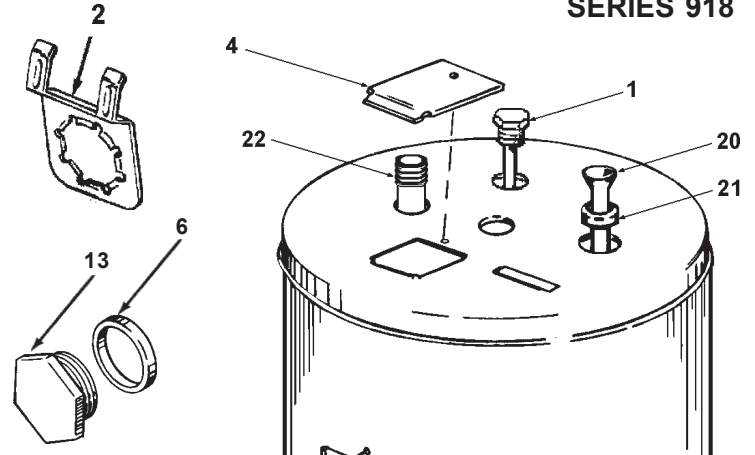
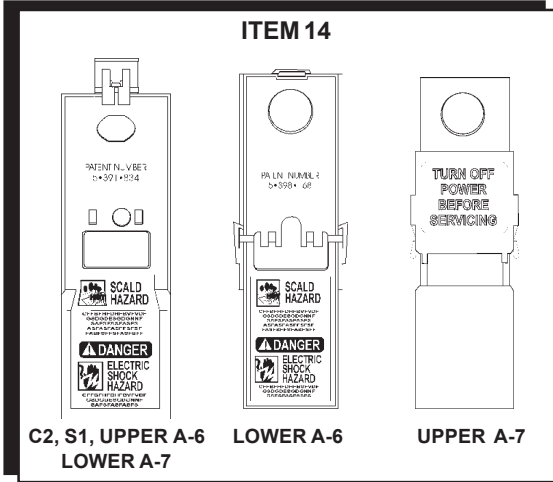
A. O. SMITH

WATER PRODUCTS COMPANY

PSD-1-749

ELECTRIC

RESIDENTIAL WATER HEATER PARTS LIST
 MODELS PES/PEST - 30/40/52/66/80/120
 SERIES 918



A. O. SMITH WATER PRODUCTS CO., INC.
 5621 W. 115TH STREET • ALSIP, ILLINOIS 60803
 PHONE: 1-800-433-2545 • FAX: 1-800-433-2515
 Website: WWW.HOTWATER.COM • EMAIL: PARTS@HOTWATER.COM

ENERGY SAVER RESIDENTIAL ELECTRIC WATER HEATERS

Item	Description	PES/PEST	PES/PEST
		30 918	40 918
1	Anode, Plug	43816-28	43816-38
2	Bracket, Thermostat	182707	182707
3	Cover, Front	181260-230	181260-230
4	Cover, Junction Box	43441-700	43441-700
5	Element, Heating	<u>REFER TO ELEMENT CHART ON BACK PAGE</u>	
6	Gasket, Element (Included with Item 5)	23789	23789
7	*Insert, Warranty Sheet	183051	183051
8	*Instruction Manual	183052	183052
9	*Insulation, Pipe	181639	181639
LABELS			
10	Danger	182755	182755
11	Scald Warning	181138	181138
12	*Temperature Warning	182734	182734
13	Plug, Element	42290	42290
14	Protector, Personnel C-2, S-1, Upper A-6, Lower A-7	182360	182360
14	Protector, Personnel Lower A-6	182117	182117
14	Protector, Personnel Upper A-7	39909	39909
15	Thermostat, S-1, Upper A-6	<u>182354</u>	<u>182354</u>
16	Thermostat, Lower A-6	<u>23897-1</u>	<u>23897-1</u>
	Thermostat, Upper A-7		
17	High Limit	<u>38017</u>	<u>38017</u>
18	Thermostat, Double Throw	<u>38008</u>	<u>38008</u>
19	Thermostat, C-2, Lower A-7	<u>182353</u>	<u>182353</u>
20	Tube, Inlet (PES Models Only)	21062-26	21062-36
21	Spacer, Inlet Tube (Included with Item 20)	42589	42589
22	Tube, Heat Trap Inlet (PEST Models Only)	181068-26	181068-37
23	Valve, Drain	42037-3	26273-4
24	Valve, T & P Relief	<u>23740-1</u>	<u>23740-1</u>
SMR H43; North Carolina Code			
20	Tube, Inlet	21062-26	21062-36
24	Valve, T & P Relief - McBee	<u>23740-1</u>	<u>23740-1</u>
24	Valve, T & P Relief - Juarez	<u>23740-1</u>	<u>23740-1</u>
SMR S06; California Code			
8	Earthquake Manual	181809	181809
SMR S10; Relief Valve & Incoloy Element			
20	Tube, Inlet	21062-26	21062-36
5	Element, Heating	42539	42539
24	Valve, T & P Relief - McBee	<u>23740-1</u>	<u>23740-1</u>
24	Valve, T & P Relief - Juarez	<u>23740-1</u>	<u>23740-1</u>
SMR S24; No Emblem			
24	Valve, T & P Relief	<u>23740-1</u>	<u>23740-1</u>
SMR S43; Installed Relief Valve			
24	Valve, T & P Relief - McBee	<u>23740-1</u>	<u>23740-1</u>
24	Valve, T & P Relief - Juarez	<u>23740-1</u>	<u>23740-1</u>
SMR S44; Massachusetts Code			
20	Tube, Inlet	21062-26	21062-36
1	Anode, Plug	43816-29	43816-38

NOTE: UNDERLINED PARTS ARE RECOMMENDED STOCK ITEMS FOR EMERGENCY REPLACEMENT. *NOT ILLUSTRATED.

PES/PEST	PES	PES	PES
52	66	80	120
918	918	918	918

43816-44	43816-48	43816-48	43816-55
182707	182707	182707	182707
181260-230	181260-230	181260-230	181260-230
43441-700	43441-700	43441-700	43441-700

<u>23789</u>	<u>23789</u>	<u>23789</u>	<u>23789</u>
183051	183051	183051	183051
183052	183052	183052	183052
181639	181639	181639	181639

182755	182755	182755	182755
181138	181138	181138	181138
182734	182734	182734	182734
42290	42290	42290	42290
182360	182360	182360	182360
182117	182117	182117	182117
39909	39909	39909	39909
<u>182354</u>	<u>182354</u>	<u>182354</u>	<u>182354</u>
<u>23897-1</u>	<u>23897-1</u>	<u>23897-1</u>	<u>23897-1</u>

<u>38017</u>	<u>38017</u>	<u>38017</u>	<u>38017</u>
<u>38008</u>	<u>38008</u>	<u>38008</u>	<u>38008</u>
<u>182353</u>	<u>182353</u>	<u>182353</u>	<u>182353</u>
21062-45	21062-49	21062-49	21062-52
42589	42589	42589	42589
181068-46
26273-4	26273-4	26273-4	26273-6
<u>23740-1</u>	<u>23740-1</u>	<u>23740-1</u>	<u>23740-1</u>

21062-45	21062-49	21062-49	21062-52
<u>23740-1</u>	<u>23740-1</u>	<u>23740-1</u>	<u>23740-1</u>
<u>23740-1</u>	<u>23740-1</u>	<u>23740-1</u>	<u>23740-1</u>

181809
--------------	-------	-------	-------

21062-45	21062-49	21062-49	21062-52
42539	42539	42539	42539
<u>23740-1</u>	<u>23740-1</u>	<u>23740-1</u>	<u>23740-1</u>
<u>23740-1</u>	<u>23740-1</u>	<u>23740-1</u>	<u>23740-1</u>

<u>23740-1</u>	<u>23740-1</u>	<u>23740-1</u>	<u>23740-1</u>
----------------------	----------------------	----------------------	----------------------

<u>23740-1</u>	<u>23740-1</u>	<u>23740-1</u>	<u>23740-1</u>
<u>23740-1</u>	<u>23740-1</u>	<u>23740-1</u>	<u>23740-1</u>

21062-45	21062-49	21062-49	21062-52
29109-44	29109-48	29109-48	29109-48

ELEMENT CHART

<i>SCREW-IN ELEMENTS for PROMAX WATER HEATERS</i>					
Wattage	120V	208V	240V	277V	480V
1000	23790-2	-----	23791-2	-----	-----
1500	23790-4	23775-4	23791-4	23782-4	-----
2000	23790-5	23775-5	23791-5	23782-5	-----
2500	23790-6	23755-6	23791-6	23782-6	23783-6
3000	23790-7	23775-7	23791-7	23782-7	23783-7
3500	-----	-----	23791-8	-----	-----
4000	-----	23775-9	23791-9	-----	23783-9
4500	-----	23775-10	23791-10	23782-10	23783-10
5000	-----	23775-11	23791-11	-----	23783-11
5500	-----	-----	23791-14	-----	-----
6000	-----	23775-12	23791-12	23782-12	23783-12

**NOTE: 1000 WATTS = 1 KILOWATT.
 ALL ELEMENTS ARE INDIVIDUALLY BOXED UNLESS SPECIFIED.
 FOR BAGGED ELEMENTS ADD SUFFIX - D (I.E., 23791-10-D)**

A. O. SMITH
WATER PRODUCTS
COMPANY

A.O. SMITH WATER PRODUCTS CO., INC.
 5621 W. 115TH STREET • ALSIP, ILLINOIS 60803
 PHONE: 1-800-433-2545 • FAX: 1-800-433-2515
 Website: WWW.HOTWATER.COM • EMAIL: PARTS@HOTWATER.COM