

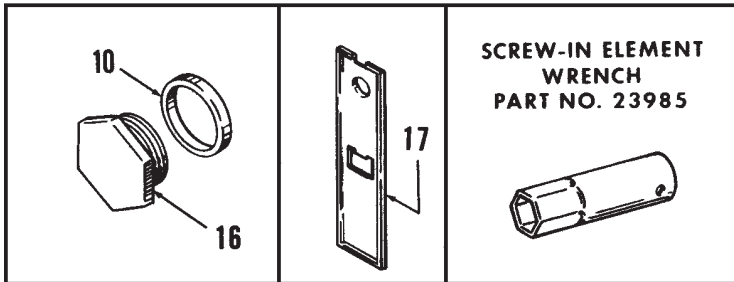
# A. O. SMITH

## WATER PRODUCTS COMPANY

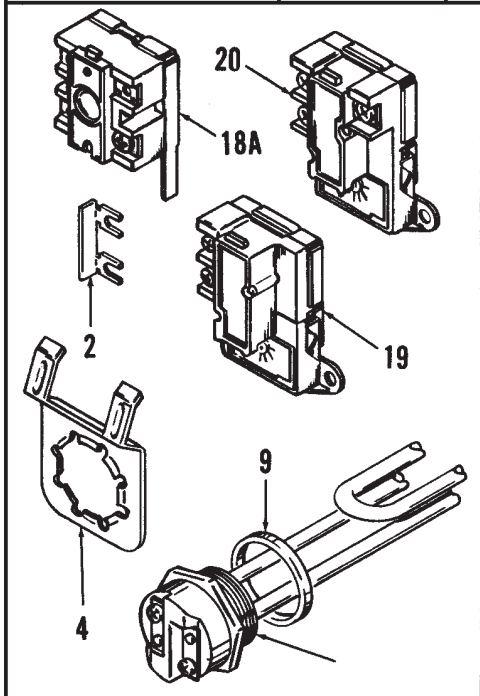
PSD-1-740

# ELECTRIC

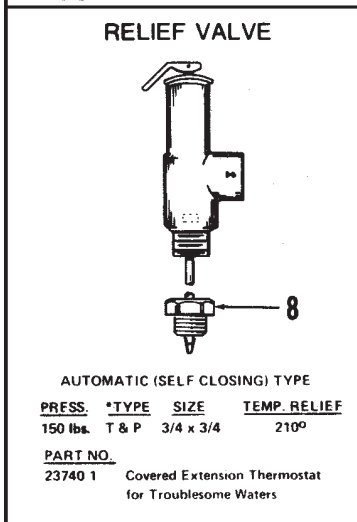
RESIDENTIAL WATER HEATER PARTS LIST  
 MODELS PEC/TE-30, 40, 52, 66, 80, 120  
 SERIES 911 AND 912



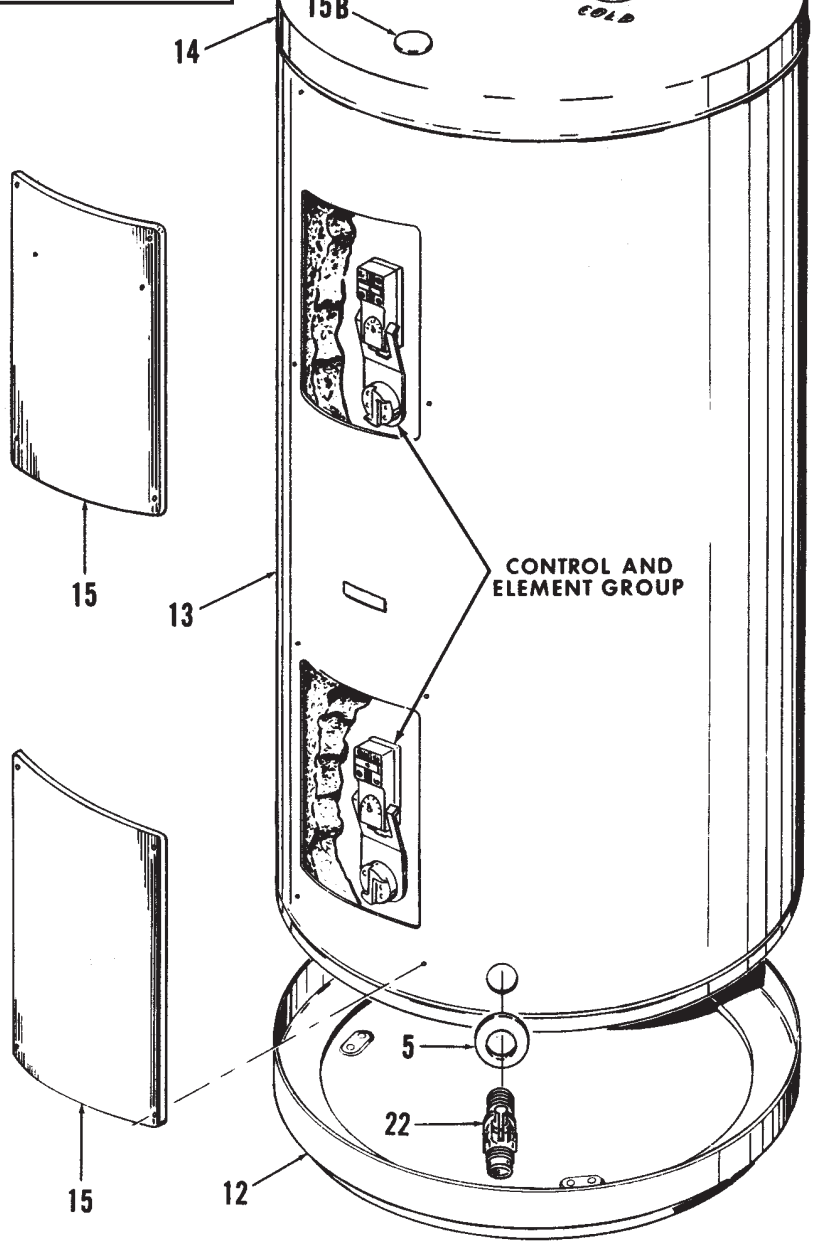
**NOTICE:**  
 HEATERS ARE EQUIPPED WITH TWO ANODES -- PLUG TYPE AND ONE ATTACHED TO OUTLET NIPPLE.



CONTROL AND ELEMENT GROUP



\*Temperature & Pressure



**A.O. SMITH WATER PRODUCTS COMPANY**  
 5621 W. 115TH STREET • ALSIP, ILLINOIS 60803  
 Phone: 1-800-433-2545 • Fax: 1-800-433-2515  
 Website: [www.hotwater.com](http://www.hotwater.com) • E-mail: [parts@hotwater.com](mailto:parts@hotwater.com)

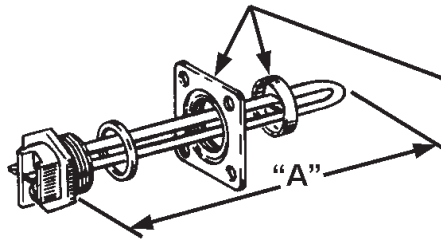
Item	Description	PEC, TE	PEC, TE	PEC, TE	PEC	PEC	PEC	
		30 Gal. 911 & 912	40 Gal. 911 & 912	52 Gal. 911 & 912	66 Gal. 911 & 912	80 Gal. 911 & 912	120 Gal. 911 & 912	
1	Anode, Outlet	160532-25	160532-25	160532-25	160532-25	160532-25	160532-25	
1A	Anode, Plug	29109-38	29109-38	29109-48	29109-50	29109-50	29109-55	
2	Bar, Buss	21010	21010	21010	21010	21010	21010	
4	Bracket, Thermostat	42468	42468	42468	42468	42468	42468	
5	Collar, Pipe	20172-14	20172-14	20172-14	20172-14	20172-14	20172-14	
6	Cover, Junction Box	43441	43441	43441	43441	43441	43441	
7	Element, Heating	SEE ELEMENT CHART BELOW						
8	Fitting, Extension (911)	42931-1	42931-1	42931-1	42931-1	42931-1	42931-1	
9	Gasket, Element	<u>23789</u>	<u>23789</u>	<u>23789</u>	<u>23789</u>	<u>23789</u>	<u>23789</u>	
10	Gasket, Plug	23789	23789	23789	23789	23789	23789	
11	Insulation, Base	41560-58	41560-62	41560-62	41560-59	41560-63	41560-64	
12	Jacket, Base	43285-200	43285-204	43285-204	43285-201	37625-205	39163-202	
13	Jacket, Outer (911)	43835-5	43835-6	43835-7	43835-8	43835-9	43835-10	
13	Jacket, Outer (912)	43835-39	43835-28	43835-29	43835-30	43835-30	43835-32	
14	Jacket, Top (911)	160392-200	160392-201	160392-201	160392-202	160392-203	160392-204	
14	Jacket, Top (912)	160715-200	160715-201	160715-201	160715-202	160715-203	160715-204	
15	Panel, Front	42961	42961	42961	42961	42961	42961	
15A	Plug, Cap 2"	42306-3	42306-3	42306-3	42306-3	42306-3	42306-3	
15B	Plug, Cap 1-1/2"	42306-1	42306-1	42306-1	42306-1	42306-1	42306-1	
16	Plug, Element	42290	42290	42290	42290	42290	42290	
17	Protector (Lower)	160799-1	160799-1	160799-1	160799-1	160799-1	160799-1	
17	Protector (Upper)	160799	160799	160799	160799	160799	160799	
18	Spacer, Inlet Tube	42589	42589	42589	42589	42589	42589	
18A	Switch, High Limit	<u>23899</u>	<u>23899</u>	<u>23899</u>	<u>23899</u>	<u>23899</u>	<u>23899</u>	
19	Thermostat, Lower	<u>23897</u>	<u>23897</u>	<u>23897</u>	<u>23897</u>	<u>23897</u>	<u>23897</u>	
20	Thermostat, Upper	<u>23898</u>	<u>23898</u>	<u>23898</u>	<u>23898</u>	<u>23898</u>	<u>23898</u>	
21	Tube, Inlet (w/spacer)	21064-37	21064-37	21064-46	21064-50	21064-50	21064-53	
22	Valve, Drain	160506-3	160506-3	160506-3	160506-3	160506-3	160506-6	

**NOTE:** Underlined Parts Are Recommended For Emergency Replacement.

Standard Hardware Items May Be Purchased Locally.

**IMPORTANT:**

When replacing screw-in type elements be sure to use Dow-Corning Silicone Sealant (bathtub sealer) which solidifies like rubber and is non hardening.



ORDER ADAPTER FLANGE IF NECESSARY, PART NO. 23773. FLANGE KIT IS SHOWN WITH ACCOMPANYING GASKET.

**SCREW-IN ELEMENT CHART**

Wattage	120V	Max. "A" Dim. (inches)	208V	Max. "A" Dim. (inches)	240V	Max. "A" Dim. (inches)	277V	Max. "A" Dim. (inches)	480V	Max. "A" Dim. (inches)
1000W	----	----	----	----	24001-2	9-1/4	----	----	----	----
1500W	24004-4	9	----	----	24001-4	9	----	----	----	----
2000W	----	----	----	----	24001-5	11-1/2	----	----	----	----
2500W	----	----	----	----	24001-6	11	----	----	----	----
3000W	----	----	24002-7	16-1/2	24001-7	13-1/2	24003-7	16-1/2	24004-7	16-1/2
3500W	----	----	----	----	24001-8	13-3/4	----	----	----	----
4000W	----	----	24002-9	16-1/2	24001-9	16	24003-9	16-1/2	24004-9	16-1/2
4500W	----	----	24002-10	16-1/2	24001-10	13-3/4	24003-10	16-1/2	24004-10	16-1/4
5000W	----	----	24002-11	16-1/2	24001-11	16	24003-11	16-1/2	24004-11	16-1/2
5500W	----	----	----	----	24001-14	16	----	----	----	----
6000W	----	----	24002-12	16-1/2	24001-12	16-1/2	24003-12	16-1/2	24004-12	16-1/2

NOTE: 1000 Watts = 1 kilowatt (all elements are individually boxed).



**A.O. SMITH WATER PRODUCTS COMPANY**  
 5621 W. 115TH STREET • ALSIP, ILLINOIS 60803  
 PHONE: 1-800-433-2545 • FAX: 1-800-433-2515  
 Website: [www.hotwater.com](http://www.hotwater.com) • EMAIL: [parts@hotwater.com](mailto:parts@hotwater.com)