

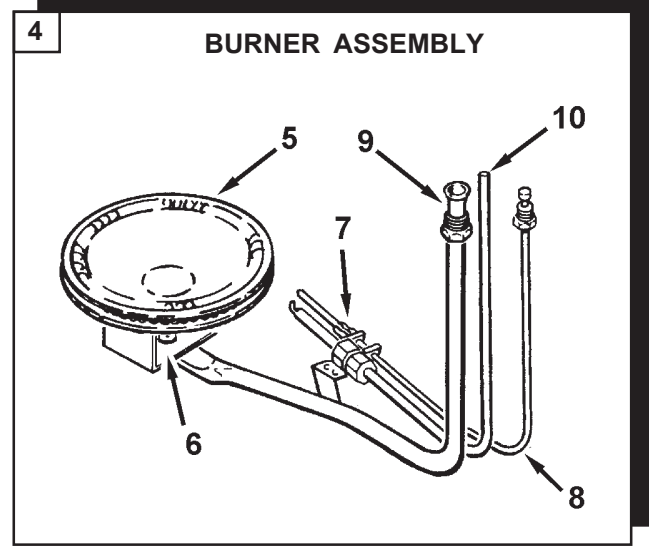
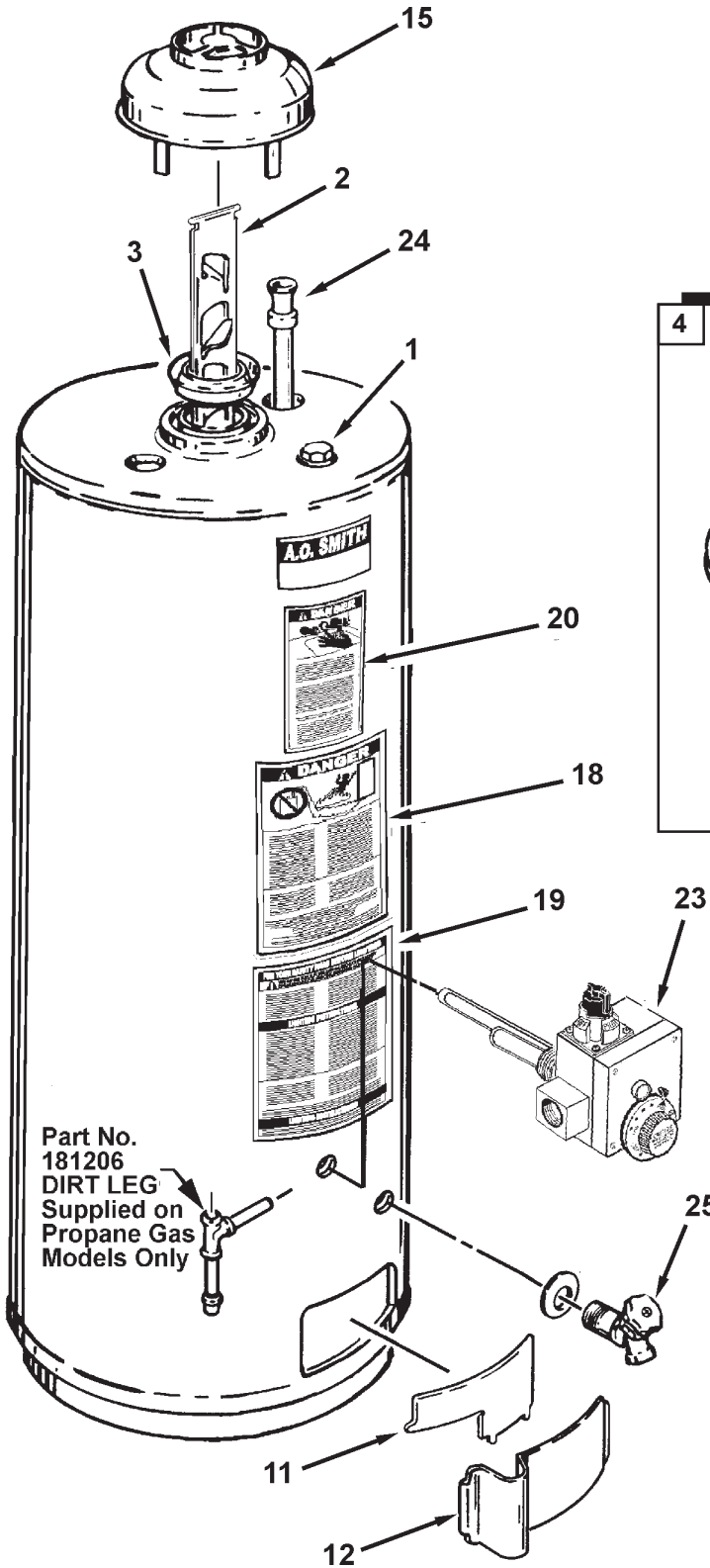
# A.O. SMITH

PSD-1-296

# GAS

## WATER PRODUCTS COMPANY

RESIDENTIAL WATER HEATER PARTS LIST  
MODELS PGCT 40 & 50  
PGXT 40 & 50  
FSGT 40 & 50  
SERIES 246/247



**3/4" T&P RELIEF VALVE**  
AUTOMATIC, SELF-CLOSING TYPES

| PART NUMBER | PRESS    | A = | TEMP RELIEF |
|-------------|----------|-----|-------------|
| 43151-2     | 150 LBS. | 3"  | 210°        |

25

**A.O. SMITH WATER PRODUCTS COMPANY**  
5621 W. 115TH STREET • ALSIP, ILLINOIS 60803  
Phone: 1-800-433-2545 • Fax: 1-800-433-2515  
Website: [www.hotwater.com/parts](http://www.hotwater.com/parts) • Email: [parts@hotwater.com](mailto:parts@hotwater.com)

| Item                                | Description                    | PGCT 40         |                 | PGCT 50         |                 | PGXT 40         |                 | PGXT 50         |                 | FSGT 40         |                 | FSGT 50         |                 |
|-------------------------------------|--------------------------------|-----------------|-----------------|-----------------|-----------------|-----------------|-----------------|-----------------|-----------------|-----------------|-----------------|-----------------|-----------------|
|                                     |                                | 246             | 247             | 246             | 247             | 246             | 247             | 246             | 247             | 246             | 247             | 246             | 247             |
| 1                                   | Anode                          | 29109-42        | 29109-42        | 29109-44        | 29109-42        | 29109-42        | 29109-42        | 29109-44        | 29109-44        | 29109-42        | 29109-42        | 29109-44        | 29109-44        |
| 2                                   | Baffle, Flue                   | 181753          | 181753          | 181753          | 181753          | 181753          | 181753          | 181753          | 181753          | 181753          | 181753          | 181753          | 181753          |
| 3                                   | Restrictor, Flue               | 35405           | 35405           | 35405           | 35405           | 35405           | 35405           | 35405           | 35405           | 35405           | 35405           | 35405           | 35405           |
| 4                                   | Burner Assembly, Natural Gas   | 181980          | ---             | 181980-2        | ---             | 181980          | ---             | 181980-2        | ---             | 181980          | ---             | 181980-2        | ---             |
| 4                                   | Burner Assembly, Propane Gas   | ---             | 181980-1        | ---             | 181980-3        | ---             | 181980-1        | ---             | 181980-3        | ---             | 181980-1        | ---             | 181980-3        |
| 5                                   | Burner, Main - Natural         | 181970          | ---             | 181970          | ---             | 181970          | ---             | 181970          | ---             | 181970          | ---             | 181970          | ---             |
| 5                                   | Burner, Main - Propane         | ---             | 182104          | ---             | 182104          | ---             | 182104          | ---             | 182104          | ---             | 182104          | ---             | 182104          |
| 6                                   | Orifice, Main Burner - Natural | 181508-29       | ---             | 181508-28       | ---             | 181508-29       | ---             | 181508-28       | ---             | 181508-29       | ---             | 181508-28       | ---             |
| 6                                   | Orifice, Main Burner - Propane | ---             | 181791-45       | ---             | 181791-43       | ---             | 181791-45       | ---             | 181791-43       | ---             | 181791-45       | ---             | 181791-43       |
| 7                                   | Burner Pilot, Natural          | <u>181805-4</u> | ---             | <u>181805-4</u> | ---             | <u>181805-4</u> | ---             | <u>181805-4</u> | ---             | <u>181805-4</u> | ---             | <u>181805-4</u> | ---             |
| 7                                   | Burner Pilot - Propane         | ---             | <u>181805-5</u> | ---             | <u>181805-5</u> | ---             | <u>181805-5</u> | ---             | <u>181805-5</u> | ---             | <u>181805-5</u> | ---             | <u>181805-5</u> |
| 8                                   | Thermocouple                   | <u>181824-2</u> | <u>181824-2</u> | <u>181824-2</u> | <u>181824-2</u> | <u>181824-2</u> | <u>181824-2</u> | <u>181824-2</u> | <u>181824-2</u> | <u>181824-2</u> | <u>181824-2</u> | <u>181824-2</u> | <u>181824-2</u> |
| 9                                   | Tube, Main Burner - Natural    | 181947-4        | ---             | 181947-9        | ---             | 181947-4        | ---             | 181947-9        | ---             | 181947-4        | ---             | 181947-9        | ---             |
| 9                                   | Tube, Main Burner - Propane    | ---             | 182028-2        | ---             | 182028-8        | ---             | 182028-2        | ---             | 182028-8        | ---             | 182028-2        | ---             | 182028-8        |
| 10                                  | Tube, Pilot                    | <u>23330</u>    | <u>23330</u>    | <u>23330</u>    | <u>23330</u>    | <u>23330</u>    | <u>23330</u>    | <u>23330</u>    | <u>23330</u>    | <u>23330</u>    | <u>23330</u>    | <u>23330</u>    | <u>23330</u>    |
| 11                                  | Inner Door                     | 181667-1        | 181667-1        | 181667-1        | 181667-1        | 181667-1        | 181667-1        | 181667-1        | 181667-1        | 181667-1        | 181667-1        | 181667-1        | 181667-1        |
| 12                                  | Outer Door Assembly            | 183258          | 183258          | 183258          | 183258          | 183258          | 183258          | 183258          | 183258          | 183258          | 183258          | 183258          | 183258          |
| 15                                  | Draft Hood                     | 181963          | 181963          | 181963          | 181963          | 181963          | 181963          | 181963          | 181963          | 181963          | 181963          | 181963          | 181963          |
| 17                                  | Owner's Manual*                | 183285          | 183285          | 183285          | 183285          | 183285          | 183285          | 183285          | 183285          | 183285          | 183285          | 183285          | 183285          |
| 22                                  | Lighter Rod & Cable Assembly*  | 180117          | 180117          | 180117          | 180117          | 180117          | 180117          | 180117          | 180117          | 180117          | 180117          | 180117          | 180117          |
| 23                                  | Thermostat - Natural           | <u>180193-4</u> | ---             | <u>180193-4</u> | ---             | <u>180193-4</u> | ---             | <u>180193-4</u> | ---             | <u>180193-4</u> | ---             | <u>180193-4</u> | ---             |
| 23                                  | Thermostat - Propane           | ---             | <u>180193-5</u> | ---             | <u>180193-5</u> | ---             | <u>180193-5</u> | ---             | <u>180193-5</u> | ---             | <u>180193-5</u> | ---             | <u>180193-5</u> |
| 24                                  | Inlet Tube                     | 182970-38       | 182970-38       | 182970-39       | 182970-39       | 160374-30       | 160374-30       | 160374-30       | 160374-30       | 160374-30       | 160374-30       | 160374-30       | 160374-30       |
| 25                                  | Valve, T & P                   | <u>76527-3</u>  | <u>76527-3</u>  | <u>76527-3</u>  | <u>76527-3</u>  | <u>76527-3</u>  | <u>76527-3</u>  | <u>76527-3</u>  | <u>76527-3</u>  | <u>76527-3</u>  | <u>76527-3</u>  | <u>76527-3</u>  | <u>76527-3</u>  |
| <b>LABELS</b>                       |                                |                 |                 |                 |                 |                 |                 |                 |                 |                 |                 |                 |                 |
| 18                                  | Flammable Vapors Label         | 181139          | 181139          | 181139          | 181139          | 181139          | 181139          | 181139          | 181139          | 181139          | 181139          | 181139          | 181139          |
| 19                                  | Lighting & Operating Label     | 182797          | 182797          | 182797          | 182797          | 182797          | 182797          | 182797          | 182797          | 182797          | 182797          | 182797          | 182797          |
| 20                                  | Scald Warning Label            | 181138          | 181138          | 181138          | 181138          | 181138          | 181138          | 181138          | 181138          | 181138          | 181138          | 181138          | 181138          |
| 21                                  | Temperature Label*             | 182734          | 182734          | 182734          | 182734          | 182734          | 182734          | 182734          | 182734          | 182734          | 182734          | 182734          | 182734          |
| <b>SMR H43; North Carolina Code</b> |                                |                 |                 |                 |                 |                 |                 |                 |                 |                 |                 |                 |                 |
| 24                                  | Inlet Tube                     | 182927-38       | 182927-38       | 182927-39       | 182927-39       | 160375-30       | 160375-30       | 160375-30       | 160375-30       | 160375-30       | 160375-30       | 160375-30       | 160375-30       |
| <b>SMR S44; Massachusetts Code</b>  |                                |                 |                 |                 |                 |                 |                 |                 |                 |                 |                 |                 |                 |
| 1                                   | Anode, Magnesium               | 29109-42        | 29109-42        | 29109-44        | 29109-44        | 29109-42        | 29109-42        | 29109-44        | 29109-44        | 29109-29        | 29109-29        | 29109-35        | 29109-35        |
| <b>SMR R99; California Code</b>     |                                |                 |                 |                 |                 |                 |                 |                 |                 |                 |                 |                 |                 |
| 16                                  | Insert Sheet*                  | 182552          | 182552          | 182552          | 182552          | 182552          | 182552          | 182552          | 182552          | 182552          | 182552          | 182552          | 182552          |
| 13                                  | Earthquake Manual              | 181809          | 181809          | 181809          | 181809          | 181809          | 181809          | 181809          | 181809          | 181809          | 181809          | 181809          | 181809          |

\* Not Illustrated

**NOTE:** Underlined parts are recommended stock items for emergency replacement.



5621 W. 115TH STREET • ALSIP, ILLINOIS 60803  
 Phone: 1-800-433-2545 • Fax: 1-800-433-2515  
 website: www.hotwater.com • email: parts@hotwater.com

**A. O. SMITH**  
**WATER PRODUCTS**  
**COMPANY**