

A.O. SMITH

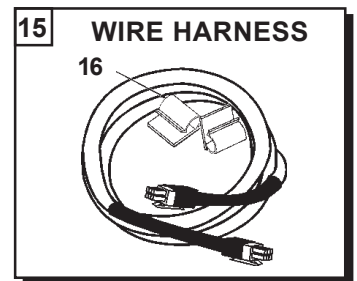
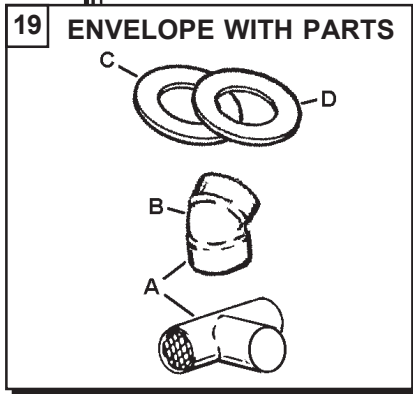
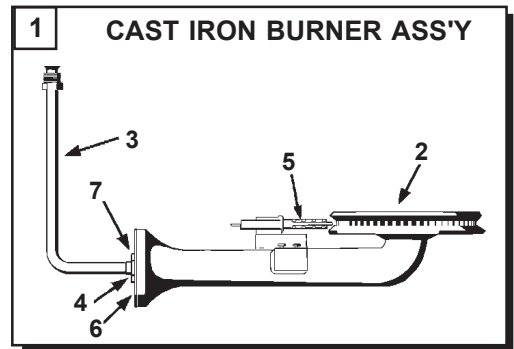
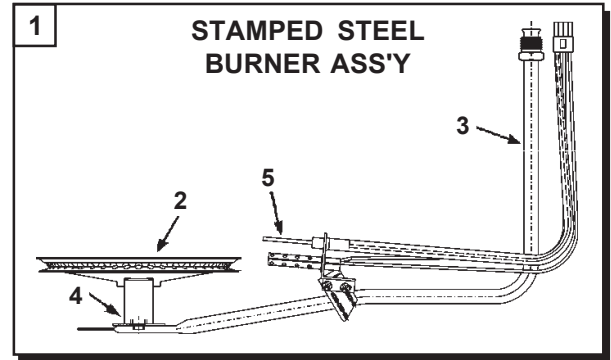
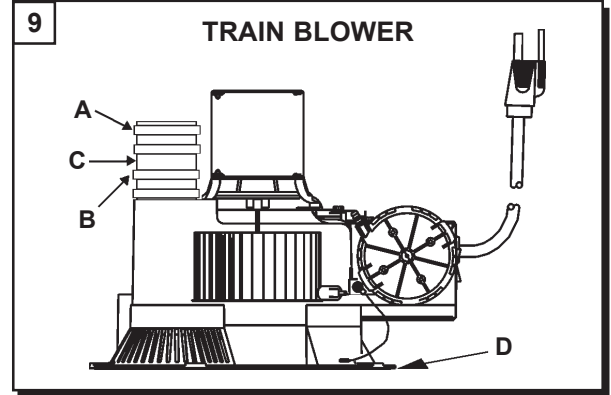
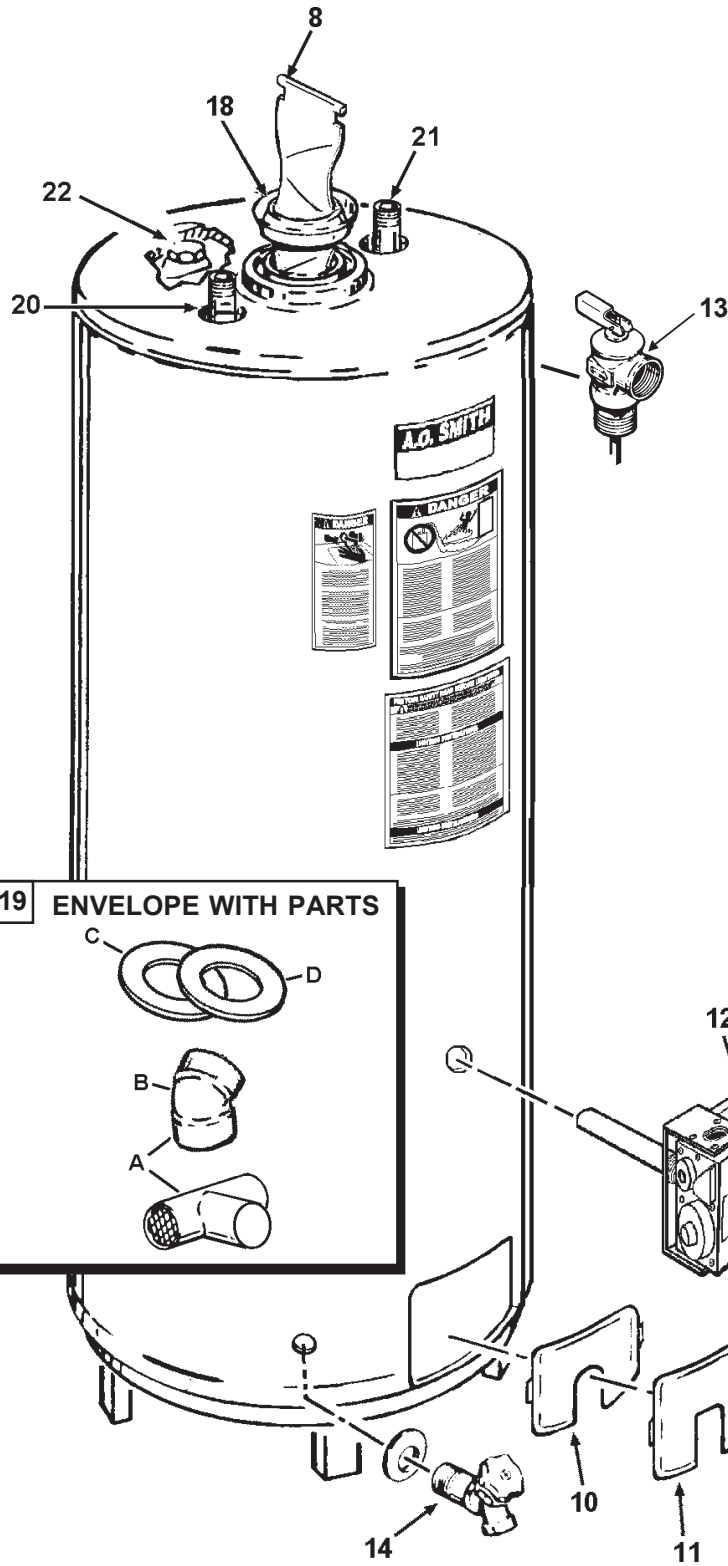
WATER PRODUCTS COMPANY

PSD-1-295

GAS

RESIDENTIAL WATER HEATERS REPLACEMENT PARTS LIST

MODELS FPSH 75
SERIES 260-263



A.O. SMITH WATER PRODUCTS CO., INC.
5621 W. 115TH STREET • ALSIP, ILLINOIS 60803
PHONE: 1-800-433-2545
FAX: 1-800-433-2515 • www.hotwater.com

Item	Qty.	Description	FPSH 75	FPSH 75	FPSH 75	FPSH 75
			260	261	262	263
			Natural	Propane	Natural	Propane
1	1	Main Burner Ass'y	194209	194209-2	194603-2	182217-3
2	1	Main burner	41157-7	41157-7	194723	41157-5
3	1	Burner Tube	39114-3	181784-3	194602-1	181784-2
4	1	Orifice	29366-20	181778-38	181508-19	181778-39
5	1	Igniter/Flame Sensor	194057	194057	194057	194057
6	1	Air Shutter				35376
7	1	Lock Nut	29001	29001		29001
8	1	Flue Baffle Assembly	194055	194055	194055	194055
9	1	Train Blower	194509	194509	194509	194509
A	1	4" Hose Clamp	183545-1	183545-1	183545-1	183545-1
B	1	3 1/2" Hose Clamp			183545	183545
C	1	Exhaust Adapter	183508	183508	183508	183508
D	1	Gasket	183507	183507	183507	183507
10	1	Inner Door	39923	39923	39923	39923
11	1	Outer Door	39112-1	39112-1	39112-701	39112-701
12	1	Thermostat, SmartValve™	183082-6	183082-7	183082-6	183082-7
13	1	T & P Relief Valve	76527-3	76527-3	76527-3	76527-3
14	1	Drain Valve	26273-7	26273-7	26273-7	26273-7
15	1	Wire Harness	194453	194453	194453	194453
16	3	Clip, Wire Harness	183365	183365	183365	183365
*17	1	Manual	194526	194526	194526	194526
18	1	Flue Restrictor	35405	35405	35405	35405
19	1	Envelope with Parts			183509	183509
A	1	Vent Terminal, 3"	181617	181617	192815	192815
B	1	Vent Terminal Assembly, 2"			183571	183571
C	1	Wall Plate, 3"	181577	181577	181577	181577
D	1	Wall Plate, 2"			182787	182787
20	1	Pipe Nipple	194139-1	194139-1	43879-1	43879-1
21	1	Inlet Tube	183512	183512	183512	183512
22	1	Anode Rod	183523-36	183523-36	183523-36	183523-36

* Not Illustrated

A. O. SMITH
WATER PRODUCTS
COMPANY

A.O. SMITH WATER PRODUCTS CO., INC.
5621 W. 115TH STREET • ALSIP, ILLINOIS 60803
PHONE: 1-800-433-2545 • FAX: 1-800-433-2515
WWW.HOTWATER.COM • E-MAIL: PARTS@HOTWATER.COM