

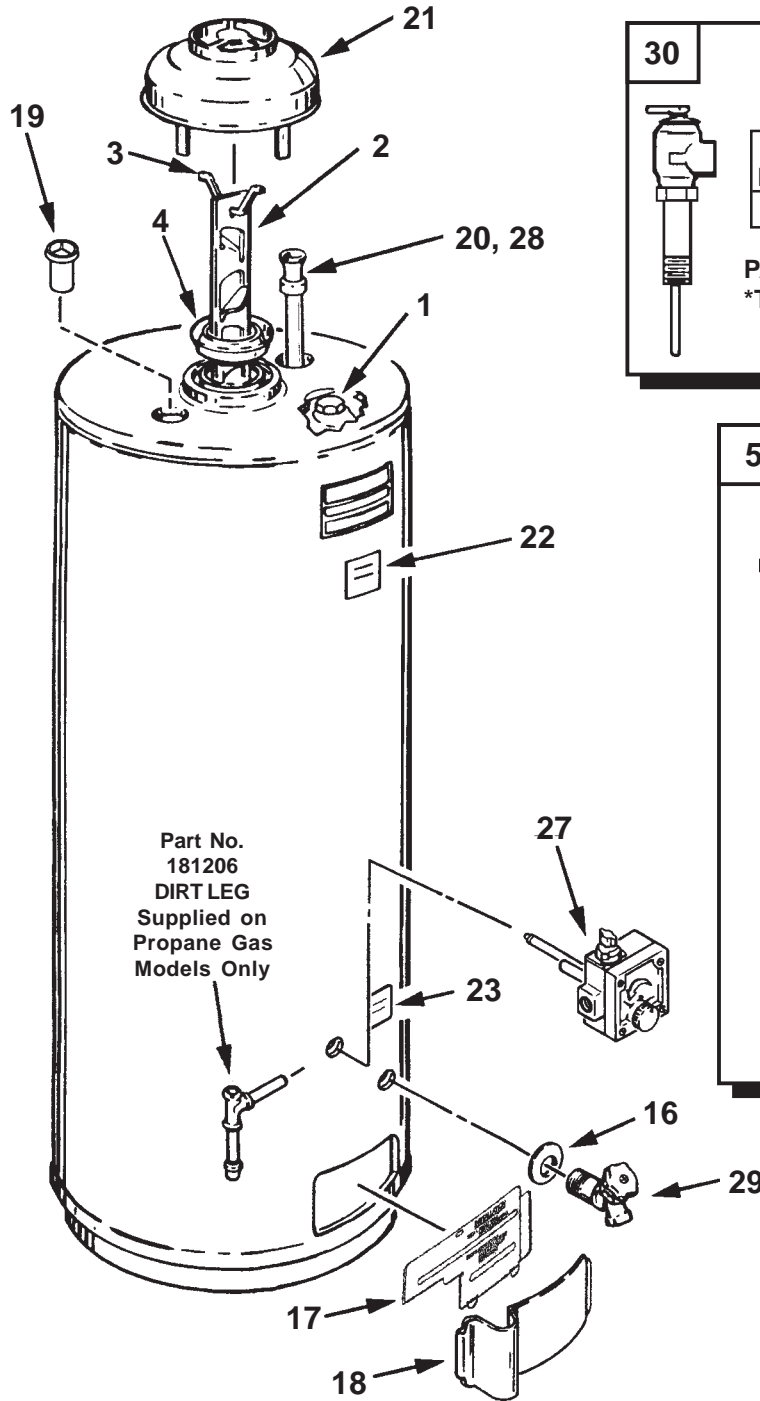
# A.O. SMITH

## WATER PRODUCTS COMPANY

PSD-1-293

# GAS

RESIDENTIAL WATER HEATER PARTS LIST  
 MODELS FSG-30, 40, 50  
 FSGH-30, 40, 50  
 FSGL-30, 40  
 SERIES: 248/249



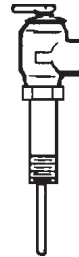
30

### RELIEF VALVE

AUTOMATIC (SELF CLOSING) TYPE

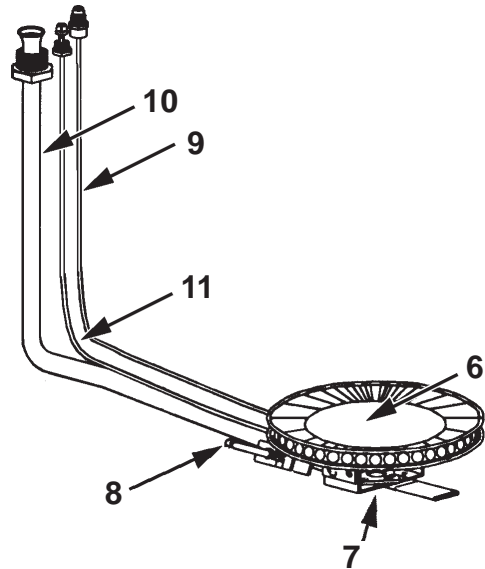
PRESS.	*TYPE	SIZE	TEMP RELIEF
150lbs.	T & P	3/4" X 3/4"	210°

PART NO. 43151-2  
 \*Temperature & Pressure



5

### BURNER ASSEMBLY



A.O. SMITH WATER PRODUCTS CO., INC.

5621 W. 115TH STREET • ALSIP, ILLINOIS 60803

PHONE: 1-800-433-2545 • FAX: 1-800-433-2515

Website: [www.hotwater.com/parts](http://www.hotwater.com/parts) • EMAIL: [parts@hotwater.com](mailto:parts@hotwater.com)

Item	Description	FSG	FSG	FSG
		30	40	50
		248/249	248/249	248/249
1	Anode .....	183523-23 .....	183523-26 .....	183523-29
	BAFFLE			
2	Baffle, Flue .....	181811 .....	181811 .....	181589
3	Baffle, Hanger .....	181360 .....	181360 .....	181360
4	Restrictor, Flue .....	----- .....	34894 .....	34894
5	BURNER ASS'Y, MAIN-NAT			
	Series 248 Only .....	182725-12 .....	182725-8 .....	182725-4
5	BURNER ASS'Y, MAIN-PROP.			
	Series 249 Only .....	182725-13 .....	182725-9 .....	182725-5
6	Burner, Main .....	182730 .....	182730 .....	182730
7	Orifice, Main-Nat. (Series 248 only) .....	181508-37 .....	181508-36 .....	181508-31
7	Orifice, Main-Prop. (Series 249 only) .....	181791-52 .....	181791-52 .....	181791-50
8	BURNER ASS'Y, PILOT-NAT.			
	Series 248 Only .....	182729-7 .....	182729-4 .....	182729-4
8	BURNER ASS'Y, PILOT-PROP.			
	Series 249 Only .....	182729-9 .....	182729-5 .....	182729-5
9	Thermocouple .....	23673 .....	23675 .....	23675
10	TUBE, MAIN BURNER-NAT.			
	Series 248 Only .....	182727 .....	182727-1 .....	182727-3
10	TUBE, MAIN BURNER-PROP.			
	Series 249 Only .....	182728 .....	182728-1 .....	182728-3
11	Tube, Pilot .....	23330 .....	23330 .....	23330
	*CLEANOUT ASS'Y-FSG40C Only			
12	*Cover, Panel Cleanout .....	----- .....	181260-700 .....	-----
13	*Cover, Cleanout .....	----- .....	99037 .....	-----
14	*Gasket .....	----- .....	99038 .....	-----
15	*Screw .....	----- .....	69852-1 .....	-----
16	Collar, Pipe .....	20172-17 .....	20172-17 .....	20172-17
	DOOR			
17	Inner .....	183491 .....	183491 .....	183491
18	Outer .....	180522 .....	180522 .....	180522
19	Heat Trap-Outlet, "T" Models Only .....	181235 .....	181235 .....	181235
20	Heat Trap-Inlet Tube, "T" Models Only .....	181068-33 .....	181068-33 .....	181068-35
21	Hood, Draft .....	181082 .....	181082 .....	181082
	LABEL			
22	Flammable Vapor/Scald Instr. Label .....	183300 .....	183300 .....	183300
23	Lighting & Operating Label .....	182798 .....	182798 .....	182798
25	*Manual, Instruction .....	183522 .....	183522 .....	183522
	THERMOSTAT			
27	Nat. (Series 248 only) .....	<u>182791</u> .....	<u>182791</u> .....	<u>182791</u>
27	Prop. (Series 249 only) .....	<u>182792</u> .....	<u>182792</u> .....	<u>182792</u>
28	Tube, Inlet .....	160907-35 .....	160907-33 .....	160907-35
29	Valve, Drain .....	42037 .....	42037 .....	42037
30	Valve, T & P .....	76527-3 .....	76527-3 .....	76527-3

"T" Identifies Heat Trap Models. NOTE: Underlined parts are recommended stock items for emergency replacement. Considered gas used in your area only. \*Not illustrated.

FSGH 30 248/249	FSGH 40 248/249	FSGH 50 248/249	FSGL 30 248/249	FSGL 40 248/249
183523-23.....	183523-26 .....	183523-29 .....	183523-23 .....	183523-26 .....
181589 .....	181589 .....	181589 .....	181589-1 .....	181589-1 .....
181360 .....	181360 .....	181360 .....	181360 .....	181360 .....
34894 .....	34894 .....	34894 .....	34894 .....	34894 .....
182725-6.....	182725-15 .....	182725-4 .....	182725-17 .....	182725-31 .....
182725-1.....	182725-16 .....	182725-5 .....	182725-28 .....	182725-32 .....
182730 .....	182730 .....	182730 .....	182730 .....	182730 .....
181508-31.....	181508-31 .....	181508-31 .....	181508-32 .....	181508-31 .....
181791-50.....	181791-50 .....	181791-50 .....	181791-50 .....	181791-50 .....
182729-7.....	182729-4 .....	182729-4 .....	182729-4 .....	182729-4 .....
182729-9.....	182729-5 .....	182729-5 .....	182729-5 .....	182729-3 .....
23673 .....	23675 .....	23675 .....	23675 .....	23675 .....
182727 .....	182727-1 .....	182727-3 .....	182727-1 .....	182727-3 .....
182728 .....	182728 .....	182728 .....	182728-1 .....	182728-1 .....
23330 .....	23330 .....	23330 .....	23330 .....	23330 .....
.....	.....	.....	.....	.....
.....	.....	.....	.....	.....
.....	.....	.....	.....	.....
.....	.....	.....	.....	.....
20172-17.....	20172-17 .....	20172-17 .....	20172-17 .....	20172-17 .....
183491 .....	183491 .....	183491 .....	183491 .....	183491 .....
180522 .....	180522 .....	180522 .....	180522 .....	180522 .....
181235 .....	181235 .....	181235 .....	181235 .....	181235 .....
181068-35.....	281068-35 .....	181068-35 .....	181068-26 .....	181068-26 .....
181082 .....	181082 .....	181082 .....	181082 .....	181082 .....
183300 .....	183300 .....	183300 .....	183300 .....	183300 .....
182798 .....	182798 .....	182798 .....	182798 .....	182798 .....
183522 .....	183522 .....	183522 .....	183522 .....	183522 .....
<u>182791</u> .....	<u>182791</u> .....	<u>182791</u> .....	<u>182791</u> .....	<u>182791</u> .....
<u>182792</u> .....	<u>182792</u> .....	<u>182792</u> .....	<u>182792</u> .....	<u>182792</u> .....
160907-35.....	160907-35 .....	160907-35 .....	160907-26 .....	160907-26 .....
42037 .....	42037 .....	42037 .....	42037 .....	42037-1 .....
76527-3.....	76527-3 .....	76527-3 .....	76527-3 .....	76527-3 .....

Item	Description	FSG	FSG	FSG
		30	40	50
		248/249	248/249	248/249
<b>SMR S44</b>				
1	Anode .....	183463-23	183463-23	183463-29
20	Heat Trap-Inlet Tube, "T" Models Only .....	181068-33	181068-33	181068-35
28	Tube, Inlet.....	160907-35	160907-33	160907-35
<b>SMR H43</b>				
20	Heat Trap-Inlet Tube, "T" Models Only .....	181068-33	181068-33	181068-35
28	Tube, Inlet.....	160907-35	160907-33	160907-35
30	Valve, T & P .....	76527-3	76527-3	76527-3
<b>SMR S19</b>				
1	Anode .....	183463-23	183463-23	183463-29
<b>SMR P83</b>				
29	Valve, Drain .....	26273-5	26273-5	26273-5
30	Valve, T & P .....	76527-3	76527-3	76527-3
<b>SMR S06</b>				
	*Manual, Instruction .....	181809	181809	181809
<b>SMR K32-249 SERIES</b>				
1	Anode .....	183463-23	183463-23	183463-29
5	BURNER ASS'Y, MAIN-PROP. ....	182725-34	182725-11	182725-7
7	Orifice, Main-Prop. ....	181791-53	181791-53	181791-51
8	Burner Ass'y, Pilot-Prop. ....	182729-9	182729-5	182729-5
<b>SMR K32-248 SERIES</b>				
1	Anode .....	183463-23	183463-23	183463-29
5	BURNER ASS'Y, MAIN-NAT. ....	182725-14	182725-10	182725-6
7	Orifice, Main-Nat. ....	181508-39	181508-38	181508-32
8	Burner Ass'y, Pilot-Nat. ....	182729-8	182729-6	182729-6
<b>SMR S34</b>				
1	Anode .....	183463-23	183463-23	183463-29
30	Valve, T & P .....	76527-3	76527-3	76527-3
<b>SMR S45</b>				
1	Anode .....	183463-23	183463-23	183463-29
	*Nipple .....	38469-4	38469-4	38469-4
<b>SMR R99</b>				
5	BURNER ASS'Y, MAIN-NAT. ....	-----	-----	183511-3
7	Orifice, Main-Nat. ....	-----	-----	181508-31
8	Burner Ass'y, Pilot-Nat. ....	-----	-----	182729-4
25	*Manual, Instruction .....	-----	-----	181809
<b>SMR S49</b>				
1	Anode .....	-----	-----	181125-42
5	BURNER ASS'Y, MAIN-NAT. ....	-----	-----	183511-3
7	Orifice, Main-Nat. ....	-----	-----	181508-31
8	Burner Ass'y, Pilot-Nat. ....	-----	-----	182729-4
25	*Manual, Instruction .....	-----	-----	181809
	*Nipple .....	-----	-----	38469-4
<b>SMR S50</b>				
1	Anode .....	181125-42	181125-42	-----
5	BURNER ASS'Y, MAIN-NAT. ....	182725-14	182725-10	-----
7	Orifice, Main-Nat. ....	181508-39	181508-38	-----
8	Burner Ass'y, Pilot-Nat. ....	182729-8	182729-6	-----
	*Nipple .....	38469-4	38469-4	-----
<b>SMR S69</b>				
29	Valve, Drain .....	26273-5	26273-5	26273-5
<b>SMR S22</b>				
25	*Manual, Instruction .....	180856	180856	180856
	*Tube, Runoff .....	24120	24120	24120
30	Valve, T & P .....	76527-3	76527-3	43151-2
<b>SMR S29</b>				
1	Anode .....	183463-23	183463-23	183463-29
	*Nipple .....	38469-10	38469-10	38469-10

"T" Identifies Heat Trap Models. NOTE: Underlined parts are recommended stock items for emergency replacement. Considered gas used in your area only. \*Not illustrated.

FSGH 30 248/249	FSGH 40 248/249	FSGH 50 248/249	FSGH 30 248/249	FSGH 40 248/249
183463-23	183463-26	183463-29	183463-19	183463-23
181068-35	181068-35	181068-35	181068-26	181068-26
160907-35	160907-35	160907-35	160907-26	160907-26
181068-35	181068-35	181068-35	181068-26	181068-26
160907-35	160907-35	160907-35	160907-26	160907-26
76527-3	76527-3	76527-3	76527-3	76527-3
183463-23	183463-26	183463-29	183463-19	183463-23
-----	-----	-----	26273-5	26273-5
-----	-----	-----	76527-3	76527-3
181809	181809	181809	181809	181809
183463-23	183463-26	183463-29	183463-19	183463-23
182725-3	182725-18	182725-7	182725-30	182725-33
181791-51	181791-51	181791-51	181791-53	181791-51
182729-9	182729-5	182729-5	182729-9	182729-3
183463-23	183463-26	183463-29	183463-19	183463-23
182725-2	182725-41	182725-6	182725-29	182725-21
181508-32	181508-32	181508-32	181508-32	181508-32
182729-8	182729-6	182729-6	182729-8	182729-6
183463-23	183463-26	183463-29	183463-19	183463-23
76527-3	76527-3	76527-3	76527-3	76527-3
183463-23	183463-26	183463-29	183463-19	183463-23
38469-4	38469-4	38469-4	38469-4	38469-4
183511	183511-1	183511-3	-----	-----
181508-31	181508-31	181508-31	-----	-----
182729-7	182729-4	182729-4	-----	-----
181809	181809	181809	-----	-----
181125-42	181125-42	181125-42	-----	-----
183511	183511-1	183511-3	-----	-----
181508-31	181508-31	181508-31	-----	-----
182729-7	182729-4	182729-4	-----	-----
181809	181809	181809	-----	-----
38469-4	38469-4	38469-4	-----	-----
181125-42	181125-42	181125-42	-----	-----
182725-2	182725-41	182725-6	-----	-----
181508-32	181508-32	181508-32	-----	-----
182729-8	182729-6	182729-6	-----	-----
38469-4	38469-4	38469-4	-----	-----
26273-5	26273-5	26273-5	26273-5	26273-5
-----	-----	-----	-----	-----
-----	-----	-----	-----	-----
-----	-----	-----	183463-19	183463-23
-----	-----	-----	38469-10	38469-10

**A.O. SMITH**  
**WATER PRODUCTS**  
**COMPANY**



**A.O. SMITH WATER PRODUCTS CO., INC.**  
5621 W. 115TH STREET • ALSIP, ILLINOIS 60803  
PHONE: 1-800-433-2545 • FAX: 1-800-433-2515  
Website: [www.hotwater.com/parts](http://www.hotwater.com/parts) • EMAIL: [parts@hotwater.com](mailto:parts@hotwater.com)