



Date: December 20, 1999  
Subject: Gas Water Heater Conversion Policy  
To: All Accounts

No. 137 Rev. 2

\* This supersedes all previous letters and field bulletins concerning residential and commercial water heater conversion.

## **GAS WATER HEATER CONVERSION POLICY**

All A.O. Smith Water Products Company's residential and commercial gas water heaters are designed certified by CSA or UL, under ANSI Standards for operation on one type of gas only, as indicated on the water heater's model number and rating plate.

A.O. Smith realizes that there may be certain situations where a field conversion may be necessary and in order to facilitate such a conversion, A. O. Smith complies with CSA or UL regulations ensuring that a field conversion be appropriately and safely completed.

An improper field conversion from one type of gas to another could cause potentially dangerous conditions that may cause an explosion or fire resulting in property damage, bodily injury or both.

**A.O. SMITH WILL ONLY ALLOW THE CONVERSION OF GAS WATER HEATERS FROM LP GAS (PROPANE) TO NATURAL GAS. THE CONVERSION OF A GAS WATER HEATER FROM NATURAL GAS TO LP GAS (PROPANE) IS NOT ALLOWED UNDER ANY CIRCUMSTANCES.**

A.O. Smith will provide kits as demand warrants through our Parts Department, phone no. 1-800-433-2545. Prices, dimensions and specifications are subject to change without notice.

Each conversion kit is to be installed by an A.O. Smith service agent or a gas utility serviceman in accordance with A.O. Smith's written instructions and all codes and requirements of the authority having jurisdiction. Failure to follow instructions could result in serious injury or property damage. The utility performing this work assumes responsibility for this conversion.

### **Changing the Input on Gas Water Heaters**

The only changes to the input of a gas water heater allowed are:

- Adjustments to match that shown on the rating plate of the heater. The installation instructions supplied with the heater indicate if adjustments to input are a required procedure.
- Changes made as required to adjust the heater for proper operation at high altitude as determined by a qualified service technician. Service manuals include the proper procedure for adjusting heaters at high altitudes.

### **Conversion of Gas Water Heaters**

The conversion of LP gas (Propane) to Natural gas is ONLY allowed providing:

- The conversion is done as part of a gas utility's program where propane appliances were installed anticipating the completion of natural gas service to the area. The conversion must be done under the direct supervision of the utility and by their service representatives.

Claims of damage or injury arising from the unauthorized conversion of any A.O. Smith water heater not design certified for conversion will be the complete and total responsibility of the person or entity making the conversion.

If you have any questions regarding the above policy, please contact the A.O. Smith Parts Department at 1-800-433-2545 or our Technical Information Center at 1-800-527-1953.

---

**A.O. SMITH WATER PRODUCTS CO., INC.**  
5621 W. 115TH STREET • ALSIP, ILLINOIS 60803  
PHONE: 1-800-433-2545  
FAX: 1-800-433-2515 • [www.hotwater.com](http://www.hotwater.com)

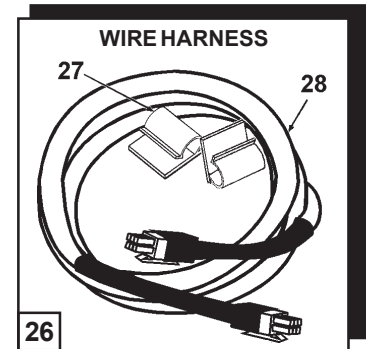
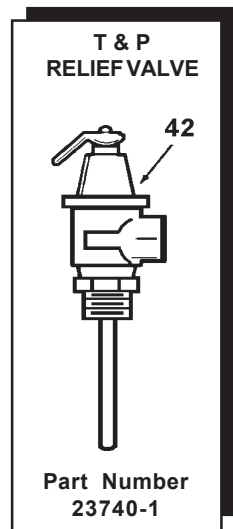
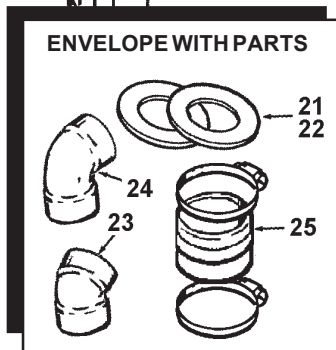
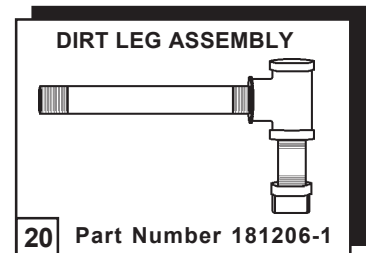
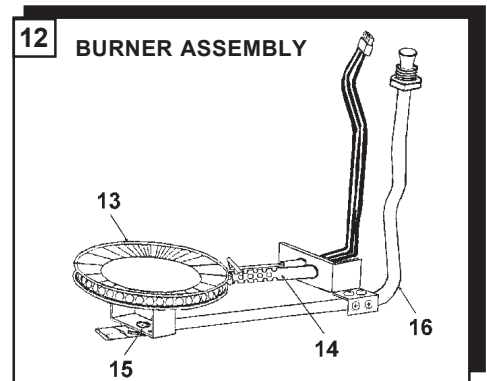
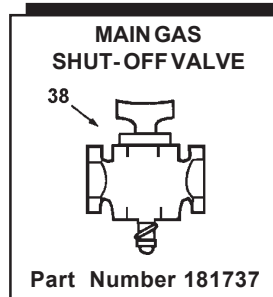
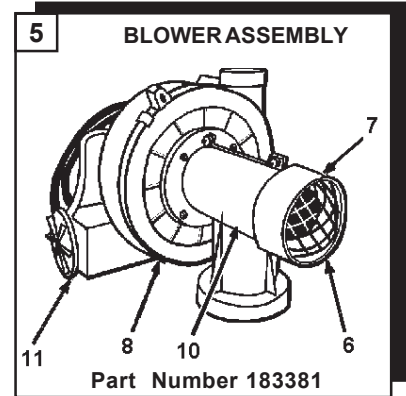
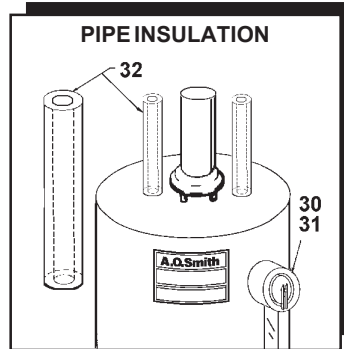
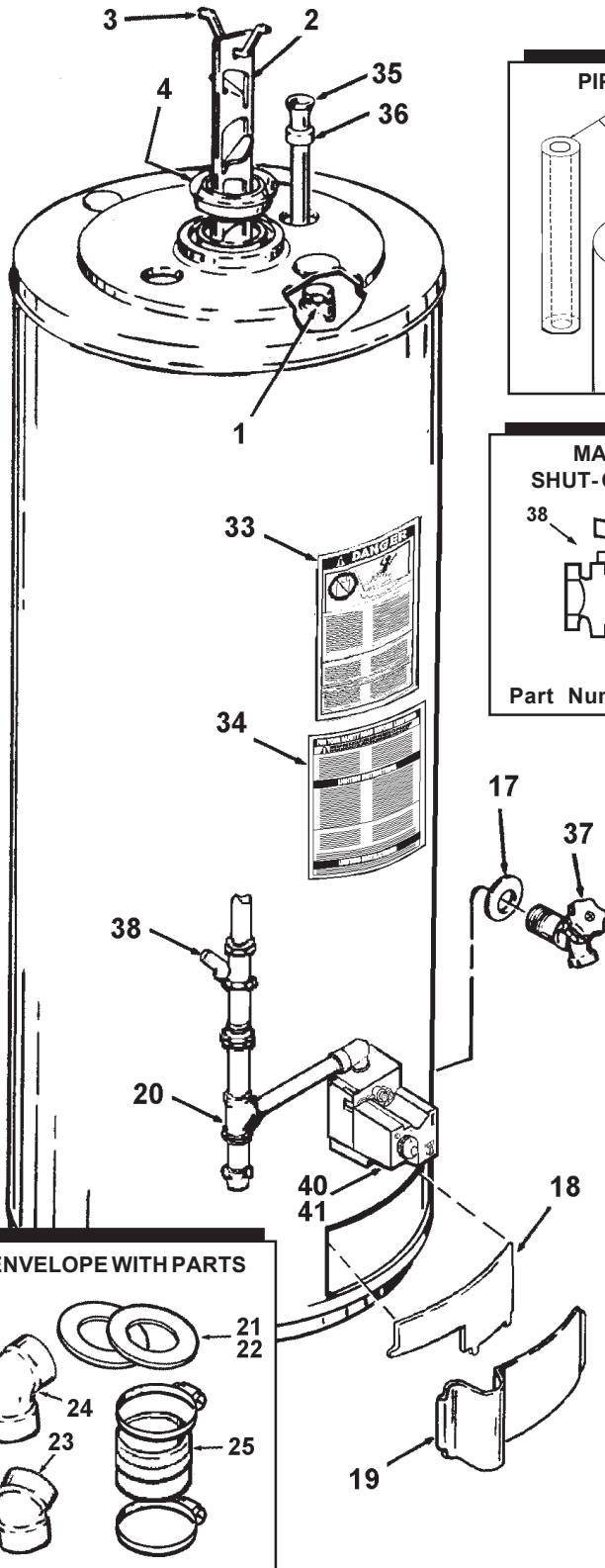
# A.O. SMITH

## WATER PRODUCTS COMPANY

PSD-1-292

# GAS

RESIDENTIAL WATER HEATER PARTS LIST  
MODELS FPSH 40 & 50  
FPST - 50  
SERIES 252/253



A.O. SMITH WATER PRODUCTS CO., INC.  
5621 W. 115TH STREET • ALSIP, ILLINOIS 60803  
PHONE: 1-800-433-2545 • FAX: 1-800-433-2515  
website: [www.hotwater.com](http://www.hotwater.com) • email: [parts@hotwater.com](mailto:parts@hotwater.com)

Item	Description	FPSH-40 252/253	FPSH-50 252/253	FPST-50 252/253
1	Anode - Aluminum (.750" dia.) Standard Models	183523-26	183523-29	183523-29
1	Anode - Magnesium (.840" dia.) Optional	183463-29	183463-29	183463-38
<b>BAFFLE</b>				
2	Baffle, Flue	181382	181382	181382
3	Hanger, Flue Baffle	181360	181360	181360
4	Restrictor, Flue Baffle	183142	183142	183142
5	<b>BLOWER ASSEMBLY</b>	<u>183381</u>	<u>183381</u>	<u>183279</u>
6	Adapter	182918	182918	182918
7	Gasket	181765	181765	181765
8	Gasket, Tee	182278	182278	182278
9	*Switch, Thermostat	183380-1	183380-1	183380
10	Tee Assembly	182240-2	182240-2	182240-2
11	Pressure Switch	21216	21216	---
12	<b>BURNER ASSEMBLY - NATURAL - Series 250</b>	183416	183416-1	183265
12	<b>BURNER ASSEMBLY - PROPANE - Series 251</b>	183416-2	183416-3	183266
13	Burner, Main - Natural	183325	183325	181970
13	Burner, Main - Propane	183325	183325	183220
14	Ignitor, Hot Surface - Natural	<u>183267</u>	<u>183267</u>	<u>183364</u>
14	Ignitor, Hot Surface - Propane	<u>183267</u>	<u>183267</u>	<u>183267</u>
15	Orifice, Main - Natural	181508-30	181508-30	181508-24
15	Orifice, Main - Propane	181791-51	181791-51	181791-44
16	Tube, Main Burner - Natural	183412	183412-1	183280
16	Tube, Main Burner - Propane	183413	183413-1	183281
17	Collar, Pipe	20172-21	20172-21	20172-21
<b>DOOR</b>				
18	Inner	183491	183491	183491
19	Outer	180522-700	180522-700	180522-700
20	Dirt Leg Assembly, Propane (Not Factory Supplied)	181206-1	181206-1	181206-1
<b>ENVELOPE WITH PARTS</b>				
21	Plate, Wall 2"	182787	182787	182787
22	Plate, Wall 3"	181557	181557	181557
23	Terminal, Vent 2"	183006	183006	183006
24	Terminal, Vent 3"	192815	192815	192815
25	Rubber Coupling w/Clamps	182933	182933	182933
26	<b>HARNES W/CLIPS</b>	183090	183090	183090
27	Clip, Wiring Harness	183365	183365	183365
28	Harness, Wiring	183089	183089	183089
29	*Instruction Manual	183432	183432	183432
30	Insulation, T & P Valve 2.13"	183256	183256	183256
31	Insulation, T & P Valve 3.38"	183256-1	183256-1	183256-1
32	Insulation, Pipe 24"	181639-1	181639-1	181639-1
<b>LABELS</b>				
33	Scald Warning / Flammable Vapors	183301	183301	183301
34	Lighting & Operating	183095	183095	183095

Item	Description	FPSH-40 252/253	FPSH-50 252/253	FPST-50 252/253
35	..... Tube, Inlet Polypropylene w/Spacer (Standard) .....	183093-41	183093-45	183093-41
35	..... Tube, Inlet Polysulfone w/Spacer (Optional) .....	183094-41	183094-45	183094-41
36	..... Spacer, Inlet Tube (Supplied with Item 34) .....	42589-1	42589-1	42589-1
37	..... Valve, Drain - Nylon (Optional) .....	42037	42037-1	42037-1
38	..... Valve, Drain - Brass (Standard) .....	26273-7	26273-7	26273-7
39	..... Valve, Main Gas Shutoff .....	181737	181737	181737
40	..... Valve, Smart w/ECO - Natural .....	<u>183082</u>	<u>183082</u>	<u>183082-2</u>
41	..... Valve, Smart w/ECO - Propane .....	<u>183082-1</u>	<u>183082-1</u>	<u>183082-3</u>
42	..... Valve, T & P .....	<u>76527-3</u>	<u>43151-2</u>	<u>43151-2</u>

**NOTE: Underlined parts are recommended stock items for emergency replacement.  
Consider gas used in your area only.**

**\* Not illustrated.**

FPST 50

FPSH 40/ 50

FPST 50



**A.O. SMITH**  
**WATER PRODUCTS**  
**COMPANY**  
PSD / Alsip, IL

**A.O. SMITH WATER PRODUCTS CO., INC.**  
5621 W. 115TH STREET • ALSIP, ILLINOIS 60803  
PHONE: 1-800-433-2545 • FAX: 1-800-433-2515  
Website: [www.hotwater.com/parts](http://www.hotwater.com/parts) • EMAIL: [parts@hotwater.com](mailto:parts@hotwater.com)