

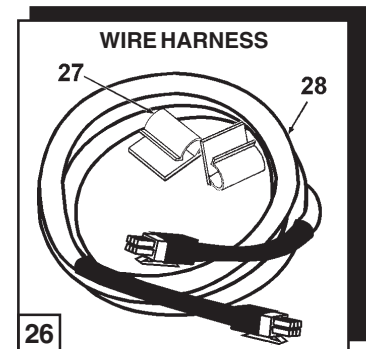
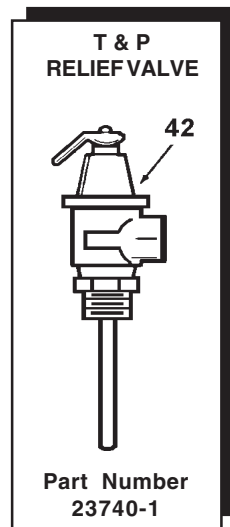
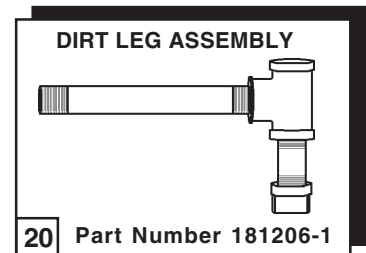
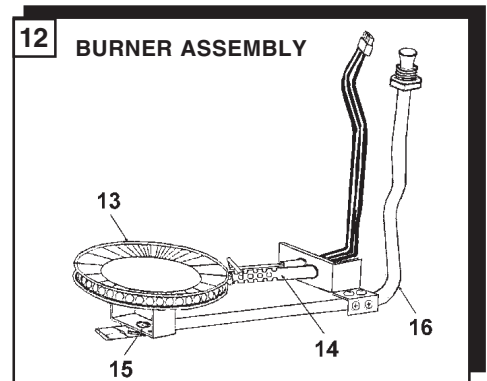
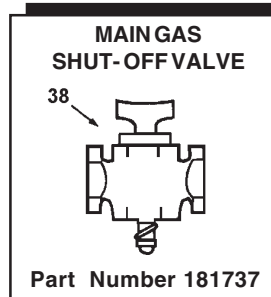
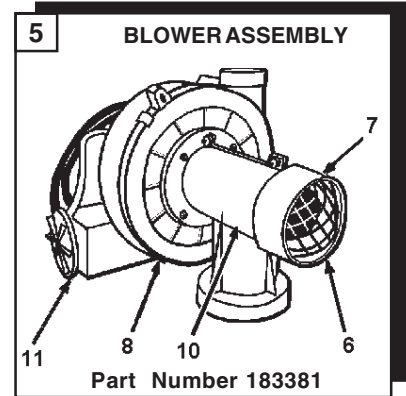
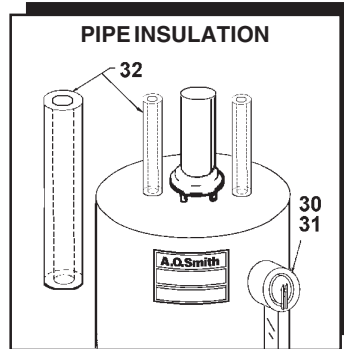
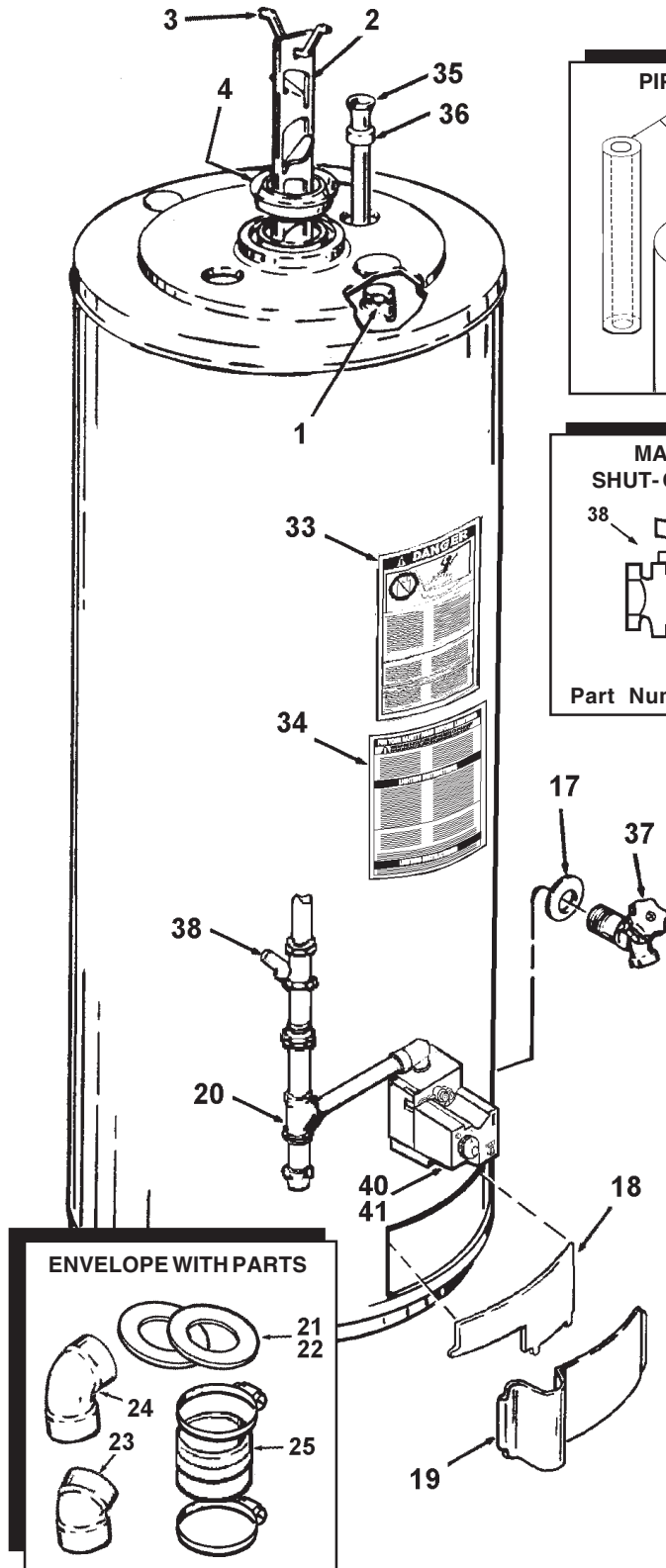
A.O. SMITH

WATER PRODUCTS COMPANY

PSD-1-288

GAS

RESIDENTIAL WATER HEATER PARTS LIST
MODELS FPSH 40 & 50
FPST - 50
SERIES 250/251



A.O. SMITH WATER PRODUCTS CO., INC.
5621 W. 115TH STREET • ALSIP, ILLINOIS 60803
PHONE: 1-800-433-2545 • FAX: 1-800-433-2515
Website: www.hotwater.com • EMAIL: parts@hotwater.com

Item	Description	FPSH-40 250/251	FPSH-50 250/251	FPST-50 250/251
1	Anode - Aluminum (.750" dia.) Standard Models	43817-25	43817-25	43817-38
1	Anode - Aluminum (.840" dia.) Optional	180618-29	180618-29	180618-35
1	Anode - Magnesium (.840" dia.) Optional	183463-29	183463-29	183463-38
BAFFLE				
2	Baffle, Flue	181382	181382	181382
3	Hanger, Flue Baffle	181360	181360	181360
4	Restrictor, Flue Baffle	183142	183142	183142
5	BLOWER ASSEMBLY	<u>183381</u>	<u>183381</u>	<u>183279</u>
6	Adapter	182918	182918	182918
7	Gasket	181765	181765	181765
8	Gasket, Tee	182278	182278	182278
9	*Switch, Thermostat	183380-1	183380-1	183380
10	Tee Assembly	182240-2	182240-2	182240-2
11	Pressure Switch	21216	21216	- - -
12	BURNER ASSEMBLY - NATURAL - Series 250	183416	183416-1	183265
12	BURNER ASSEMBLY - PROPANE - Series 251	183416-2	183416-3	183266
13	Burner, Main - Natural	183325	183325	181970
13	Burner, Main - Propane	183325	183325	183220
14	Ignitor, Hot Surface - Natural	<u>183267</u>	<u>183267</u>	<u>183364</u>
14	Ignitor, Hot Surface - Propane	<u>183267</u>	<u>183267</u>	<u>183267</u>
15	Orifice, Main - Natural	181508-30	181508-30	181508-24
15	Orifice, Main - Propane	181791-51	181791-51	181791-44
16	Tube, Main Burner - Natural	183412	183412-1	183280
16	Tube, Main Burner - Propane	183413	183413-1	183281
17	Collar, Pipe	20172-21	20172-21	20172-21
DOOR				
18	Inner	180596-1	180596-1	180596-1
19	Outer	180522-700	180522-700	180522-700
20	Dirt Leg Assembly, Propane	181206-1	181206-1	181206-1
ENVELOPE WITH PARTS		183421	183421	183421
21	Plate, Wall 2"	182787	182787	182787
22	Plate, Wall 3"	181557	181557	181557
23	Terminal, Vent 2"	183006	183006	183006
24	Terminal, Vent 3"	192815	192815	192815
25	Rubber Coupling w/Clamps	182933	182933	182933
26	HARNES W/CLIPS	183090	183090	183090
27	Clip, Wiring Harness	183365	183365	183365
28	Harness, Wiring	183089	183089	183089
29	*Instruction Manual	183432	183432	183432
30	Insulation, T & P Valve 2.13"	183256	183256	183256
31	Insulation, T & P Valve 3.38"	183256-1	183256-1	183256-1
32	Insulation, Pipe 24"	181639-1	181639-1	181639-1
LABELS				
33	Scald Warning / Flammable Vapors	183301	183301	183301
34	Lighting & Operating	183095	183095	183095

Item	Description	FPSH-40 250/251	FPSH-50 250/251	FPST-50 250/251
35 Tube, Inlet Polypropylene w/Spacer (Standard)	183093-41	183093-45	183093-41
35 Tube, Inlet Polysulfone w/Spacer (Optional)	183094-41	183094-45	183094-41
36 Spacer, Inlet Tube (Supplied with Item 34)	42589-1	42589-1	42589-1
37 Valve, Drain - Nylon (Optional)	42037	42037	42037-1
38 Valve, Drain - Brass (Standard)	26273-7	26273-7	26273-7
39 Valve, Main Gas Shutoff	181737	181737	181737
40 Valve, Smart w/ECO - Natural	<u>183082</u>	<u>183082</u>	<u>183082-2</u>
41 Valve, Smart w/ECO - Propane	<u>183082-1</u>	<u>183082-1</u>	<u>183082-3</u>
42 Valve, T & P	<u>23740-1</u>	<u>23740-1</u>	<u>43151-2</u>

**NOTE: Underlined parts are recommended stock items for emergency replacement.
Consider gas used in your area only.**

*** Not illustrated.**

FPST 50

FPSH 40/50

FPST 50



A.O. SMITH
WATER PRODUCTS
COMPANY
PSD / Alsip, IL

A.O. SMITH WATER PRODUCTS CO., INC.
5621 W. 115TH STREET • ALSIP, ILLINOIS 60803
PHONE: 1-800-433-2545 • FAX: 1-800-433-2515
Website: www.hotwater.com • EMAIL: parts@hotwater.com