

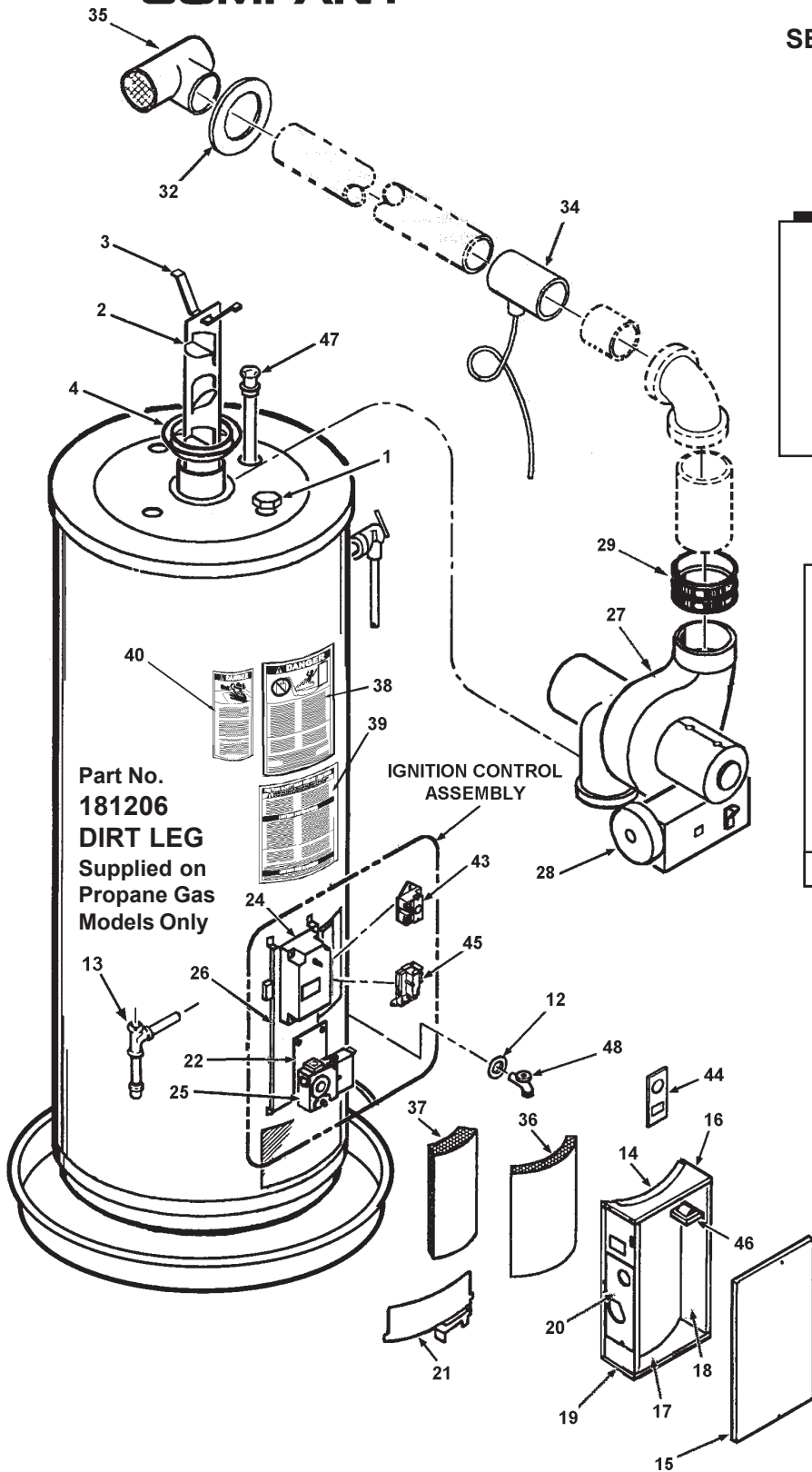
# A.O. SMITH

## WATER PRODUCTS COMPANY

PSD-1-276/B

# GAS

RESIDENTIAL WATER HEATER PARTS LIST  
MODELS FPST - 50  
SERIES 230/231, 234/235, 240/241



Part No.  
**181206**  
**DIRT LEG**  
Supplied on  
Propane Gas  
Models Only

IGNITION CONTROL  
ASSEMBLY

MAIN GAS  
SHUT-OFF VALVE  
49

T & P  
RELIEF VALVE  
50

BURNER ASSEMBLY  
6 7 8 9 10 11  
5

HIGH PRESSURE SILICONE  
33

HARNES & CLIPS  
30

**A.O. SMITH WATER PRODUCTS CO., INC.**  
5621 W. 115TH STREET • ALSIP, ILLINOIS 60803  
PHONE: 1-800-433-2545 • FAX: 1-800-433-2515  
Website: [www.hotwater.com](http://www.hotwater.com) • EMAIL: [parts@hotwater.com](mailto:parts@hotwater.com)

Item	Description	
1	Anode .....	43817-38
	<b>BAFFLE</b>	
2	Baffle, Flue .....	181382
3	Hanger, Flue Baffle .....	181360
4	Restrictor, Flue Baffle .....	183142
5	<b>BURNER ASSEMBLY - NATURAL</b> .....	182357
	<b>BURNER ASSEMBLY - PROPANE</b> .....	182357-1
6	Burner, Main - Natural .....	181970
	Burner, Main - Propane .....	182104
7	Orifice, Main - Natural .....	181508-24
	Orifice, Main - Propane .....	181791-45
8	Ignitor, Pilot Assembly - Natural .....	<u>181954-4</u>
	Ignitor, Pilot Assembly - Propane .....	<u>181954-5</u>
9	Tube, Main Burner - Natural .....	181947-7
	Tube, Main Burner - Propane .....	182028-9
10	Tube, Pilot .....	23330
11	Wire, Ground .....	181736-2
12	Collar, Pipe .....	20172-21
13	Dirt Leg Assembly - Propane .....	181206
	<b>DOOR, OUTER</b>	
	Assembly (230/231 Series) .....	182716-1
	Assembly (234/235/240/241 Series) .....	182716-2
14	Grommet .....	181764-1
15	Panel, Cover .....	181943
16	Panel, Top .....	181942
17	Panel, Bottom .....	181941
18	Panel, Right .....	181940-2
19	Panel, Left .....	181939-1
20	Plate, Cover .....	181938
21	Door, Inner .....	180596
	<b>IGNITION CONTROL ASSEMBLY</b>	
22	Bracket, Gas Valve - Natural .....	181898
	Bracket, Gas Valve - Propane .....	182194
23	*Harness Wiring (230/231 Series) .....	182409
	*Harness Wiring (234/235 Series) .....	182708
	*Harness Wiring (240/241 Series) .....	183109
24	Module, Ignition (230 thru 235 Series) .....	182352
	Module, Ignition (240/241 Series) .....	193325
25	Gas Valve Assembly - Natural .....	<u>181950</u>
	Gas Valve Assembly - Propane .....	<u>182192</u>
26	Plate, Mounting .....	182261
	<b>INSTALLATION KIT</b>	
27	Blower Assembly .....	182932
28	Pressure Switch .....	<u>21204</u>
29	Coupling & Clamps .....	182269
30	Wiring Harness & Clips .....	182495
31	*Insert Sheet .....	182496
32	Plate, Wall .....	181557
33	Sealant, Tube High Pressure Silicone .....	<u>181564</u>

Item	Description	
34	Tee Assembly, Condensate .....	181861
35	Tee, Vent .....	181762
36	Insulation Barrier .....	181759
37	Insulation, Thermostat Opening .....	43307-5
<b>LABELS</b>		
38	Flammable Vapor Warning .....	183283
39	Lighting & Operating .....	182561
40	Scald Warning .....	181138
41	*Manual, Instruction .....	182574
42	*Insert Sheet .....	182372
<b>THERMOSTAT ASSEMBLY</b>		
43	E.C.O. ....	<u>181706</u>
44	Protector, Personnel .....	181758
45	Thermostat .....	<u>181705</u>
46	Transformer (230/231 Series) .....	182283
	Transformer (234/235/240/241 Series) .....	192608
47	Tube, Inlet .....	21067-33
48	Valve, Drain .....	26273-4
49	Valve, Main Gas Shut-off .....	181737
50	Valve, Relief .....	43151-2
<b>SMR H44: Massachusett Code (230/231 Series ONLY)</b>		
1	Anode .....	43816-35
47	Tube, Inlet .....	21067-33



**NOTE:** Underlined parts are recommended stock items for emergency replacement. Consider gas used in your area only.  
 \* Not illustrated.



**A.O. SMITH**  
**WATER PRODUCTS**  
**COMPANY**  
PSD / Alsip, IL

**A.O. SMITH WATER PRODUCTS CO., INC.**  
5621 W. 115TH STREET • ALSIP, ILLINOIS 60803  
PHONE: 1-800-433-2545 • FAX: 1-800-433-2515  
Website: [www.hotwater.com](http://www.hotwater.com) • EMAIL: [parts@hotwater.com](mailto:parts@hotwater.com)