

A. O. SMITH WATER PRODUCTS COMPANY

GAS

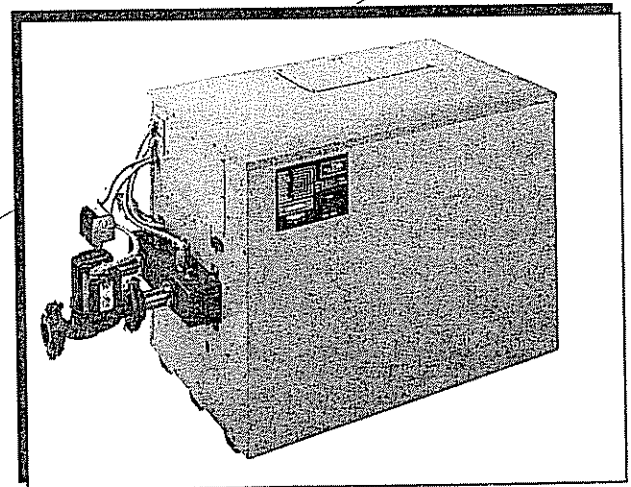
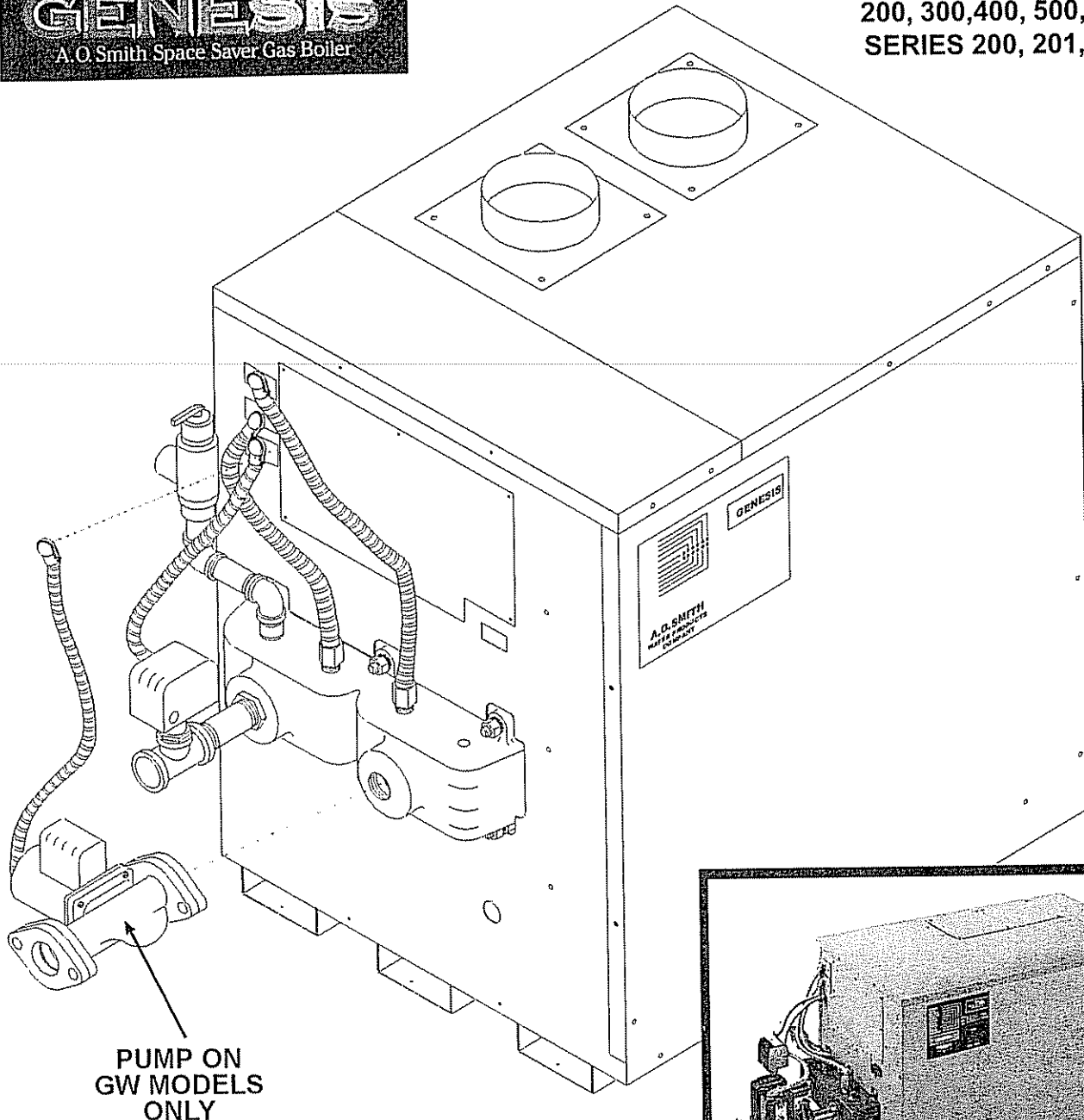
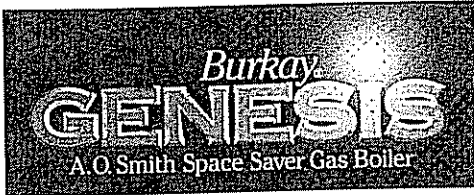
GAS-FIRED COMMERCIAL REPLACEMENT PARTS LIST

COPPER BOILERS FOR HYDRONIC
HEATING & HOT WATER SUPPLY

MODELS GB/GW:

200, 300, 400, 500, 650, 750

SERIES 200, 201, 202, 203



A. O. SMITH WATER PRODUCTS CO., INC.

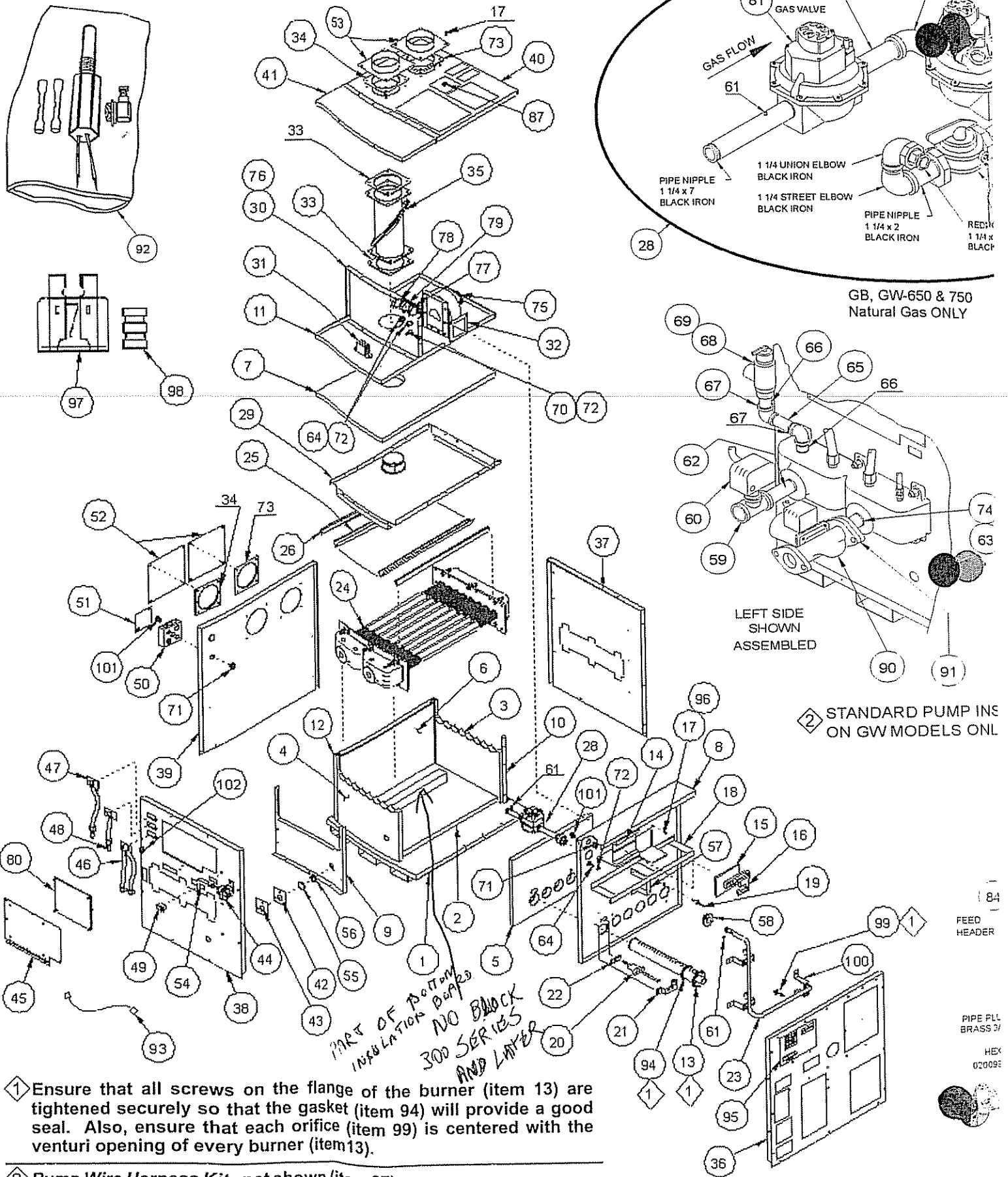
5621 W. 115TH STREET • ALSIP, ILLINOIS 60803

PHONE: 1-800-433-2545 • FAX: 1-800-433-2515

Website: WWW.HOTWATER.COM • EMAIL: PARTS@HOTWATER.COM

Item	Qty	Description	GB/GW-200	GB/GW-300	GB/GW-400	GB/GW-500	GB/GW-650	GB/GW-750
52	2	Plate - Intake	192792-1	192792	192792	192792	192792	192792
53	2	Vent Adaptor	192774	192774-1	192774-2	192774-2	192774-3	192774-3
54	1	Pressure Gauge Tubing Assembly	210270	210270	210270	210270	210270	210270
55	1	Port - Observation	191572-1	191572-1	191572-1	191572-1	191572-1	191572-1
56	1	Gasket - Port	191576	191576	191576	191576	191576	191576
57	1	Bracket - Mounting	192691-1	192691-1	192691-1	192691-1	192691-1	192691-1
58	()	Grommet	192771-3(2)	192771-3(2)	192771(2)	192771(2)	192771(1)	192771(1)
59	1	Tee - Reducing	200644-9	200644-9	200644-9	200644-6	200644-6	200644-6
60	1	Flow Switch	210176	210176	210176	210176	210176	210176
61	2	Plug - 1/8"	3348	3348	3348	3348	3348	3348
62	1	Nipple - Pipe 1 1/2 X 6"	200641-2	200641-2	200641-2	-	-	-
63	1	Nipple - Pipe 1 1/2" X 10"	-	-	-	200643-11	200643-11	200643-11
64	3	Strain Relief Tube Assembly	210234	210234	210234	210234	210234	210234
65	1	Nipple - Pipe 3/4" X 3"	20373-2	20373-2	20373-2	20373-2	20373-2	20373-2
66	2	Nipple - Pipe 3/4" X Close	200645	200645	200645	200645	200645	200645
67	2	Elbow - 3/4 X 90°	200647-1	200647-1	200647-1	200647-1	200647-1	200647-1
68	1	Pressure Relief Valve (GW Only)	98883-3	98883-3	98883-3	98883-3	98883-3	98883-3
69	1	Pressure Relief Valve (GB Only)	210451	210451	210451	210451	210451	210451
70	1	Strain Relief Fitting	210173	210173	210173	210173	210173	210173
71	2	Nut - Locking	210174-1	210174-1	210174-1	210174-1	210174-1	210174-1
72	4	Nut - Locking	210174	210174	210174	210174	210174	210174
73	2	Gasket - Vent	192780-2	192780-3	192780-4	192780-4	192780-5	192780-5
74	1	Nipple - Pipe 2" X Close	-	-	-	200643	200643	200643
75	1	Connector - Wire	42573	42573	42573	42573	42573	42573
76	3	Tubing - Silicone Rubber	210209	210209	210209	210209	210209	210209
77	1	Blower Prover Pressure Switch	<u>210908-1</u>	<u>210908-1</u>	<u>210908-1</u>	<u>210908-1</u>	<u>210908-1</u>	<u>210908-1</u>
78	1	Blocked Outlet Pressure Switch	<u>210908</u>	<u>210908</u>	<u>210908</u>	<u>210908</u>	<u>210908</u>	<u>210908</u>
79	1	Blocked Inlet Pressure Switch	<u>210909</u>	<u>210909</u>	<u>210909</u>	<u>210909</u>	<u>210909</u>	<u>210909</u>
80	1	Control Board	<u>210128</u>	<u>210128</u>	<u>210128</u>	<u>210128</u>	<u>210128</u>	<u>210128</u>
81	1	Gas Valve (NAT)	<u>192454-2</u>	<u>192454-2</u>	<u>191956-2</u>	<u>191956-2</u>	<u>78481-3</u>	<u>78481-3</u>
81	1	Gas Valve (PRO)	<u>192454-1</u>	<u>192454-1</u>	<u>191956-1</u>	<u>191956-1</u>	<u>210844</u>	<u>210844</u>
82	1	Gas Valve (NAT. GAS Only)	-	-	-	-	<u>78482-1</u>	<u>78482-1</u>
83	1	Manual Shut-Off Valve	-	-	3423-4	3423-4	3423-3	3423-3
84	1	Feed Header	192767-1	192767-1	192767-1	192767-2	192767-2	192767-2
85	1	Return Header	192766-1	192766-1	192766-1	192766-1	192766-1	192766-1
86	1	Heat Exchanger Assembly	192764	192764-1	192764-2	192764-3	192764-4	192764-5
87	1	Finishing Plug	192790-3	192790-3	192790-3	192790-3	192790-3	192790-3
88	1	Low Gas Pressure Switch (NAT)	-	-	-	191149-1	191149-1	191149-1
88	1	Low Gas Pressure Switch (PRO)	-	-	-	191149-3	191149-3	191149-3
89	1	High Gas Pressure Switch (NAT)	-	-	-	192527-1	192527-1	192527-1
89	1	High Gas Pressure Switch (PRO)	-	-	-	192527	192527	192527
90	1	Standard Pump (GW)	192788	192788	200638	200638	200638	210263
91	1	Pump Flange (GW)	210131	210131	210131-2	210131-4	210131-4	-
92	1	Tank Temperature Kit (GW)	210324	210324	210324	210324	210324	210324
93	1	Inter Connect Cable	210220	210220	210220	210220	210220	210220
94	()	Burner Gasket	210476 (4)	210476 (6)	210476 (8)	210476 (10)	210476 (13)	210476 (15)
95	1	Label - DIA-SCAN II	210213	210213	210213	210213	210213	210213
96	2	Washer - Lock 5/16"	191480	191480	191480	191480	191480	191480
97	1	Fuse - 3 AMP	210205	210205	210205	210205	210205	210205
98	2	Jumper	210491	210491	210491	210491	210491	210491
99	()	Orifice - NAT	<u>210880-91(4)</u>	<u>210880-91(6)</u>	<u>210880-91(8)</u>	<u>210880-91(10)</u>	<u>210880-91(13)</u>	<u>210880-91(15)</u>
99	()	Orifice - PRO	<u>210880-48(4)</u>	<u>210880-48(6)</u>	<u>210880-48(8)</u>	<u>210880-48(10)</u>	<u>210880-48(13)</u>	<u>210880-48(15)</u>
100	3	Bracket - Gas Manifold	192691	192691	192691	192691	192691	192691
101	2	Strain Relief Fitting	210173-1	210173-1	210173-1	210173-1	210173-1	210173-1
102	1	Grommet	-	-	-	-	192771-1	192771-1

GENESIS PARTS LIST



GB, GW-650 & 750
Natural Gas ONLY

LEFT SIDE
SHOWN
ASSEMBLED

2 STANDARD PUMP INS
ON GW MODELS ONLY

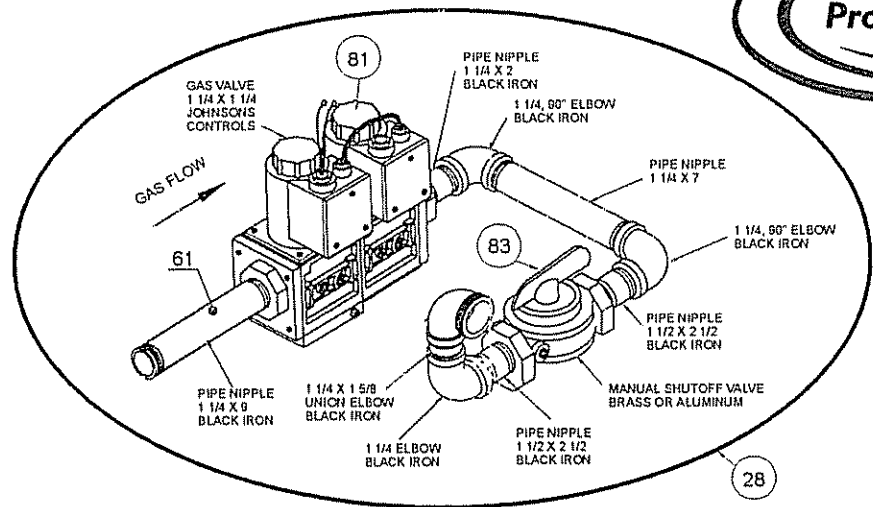
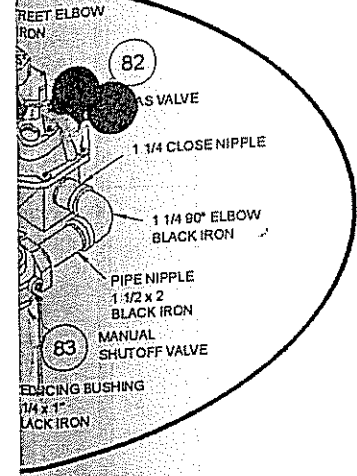
84
FEED
HEADER

PIPE FLL
BRASS 3/4
HEX
02009E

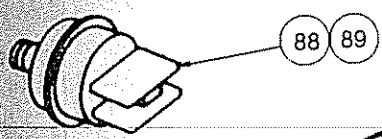
1 Ensure that all screws on the flange of the burner (item 13) are tightened securely so that the gasket (item 94) will provide a good seal. Also, ensure that each orifice (item 99) is centered with the venturi opening of every burner (item 13).

2 Pump Wire Harness Kit - not shown (item 27).
Use when there is a need to replace pump wiring, resulting from damage or defect, or adding a pump to the GW/GB models.

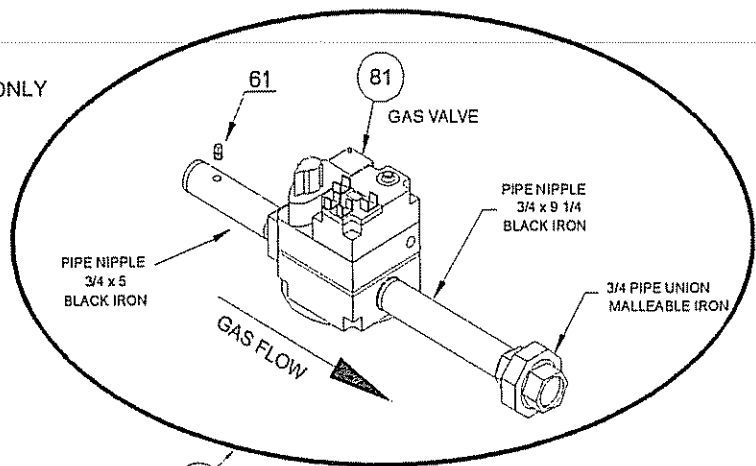
ProductPreservers®



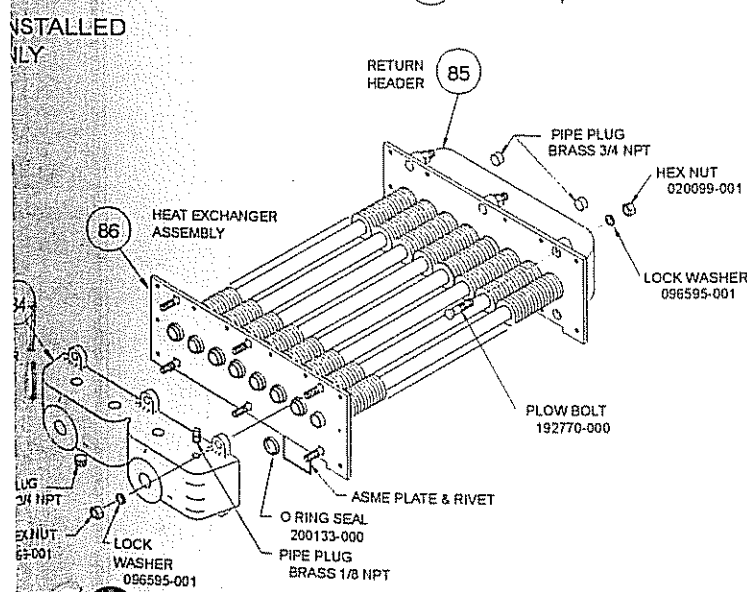
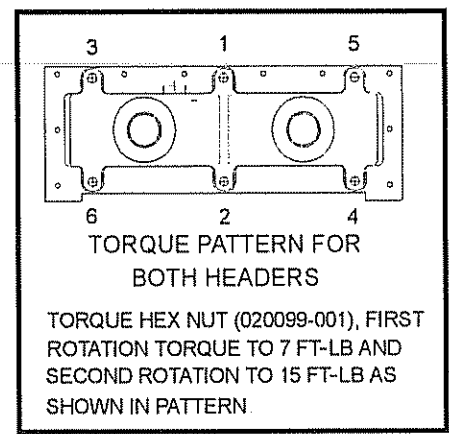
GB, GW-650 & 750
Propane Gas ONLY



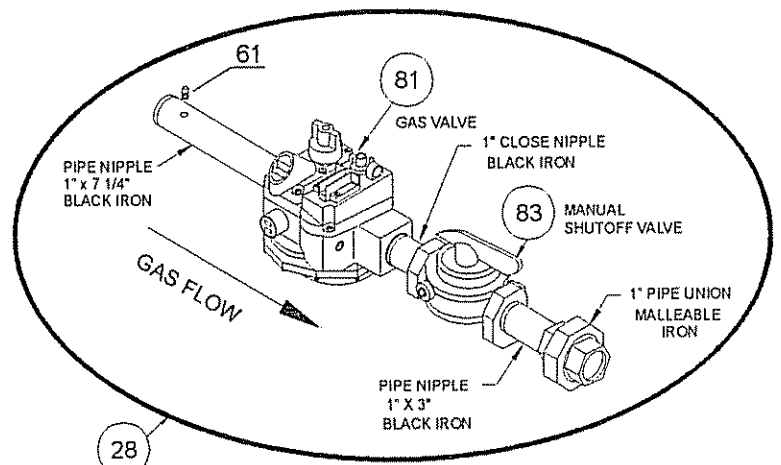
Series 202 and 203 ONLY
(CSD-1 ONLY)



GB, GW-200 & 300



HEAT EXCHANGER HEADER ASSEMBLY



GB, GW-400 & 500

A. O. SMITH
WATER PRODUCTS
COMPANY

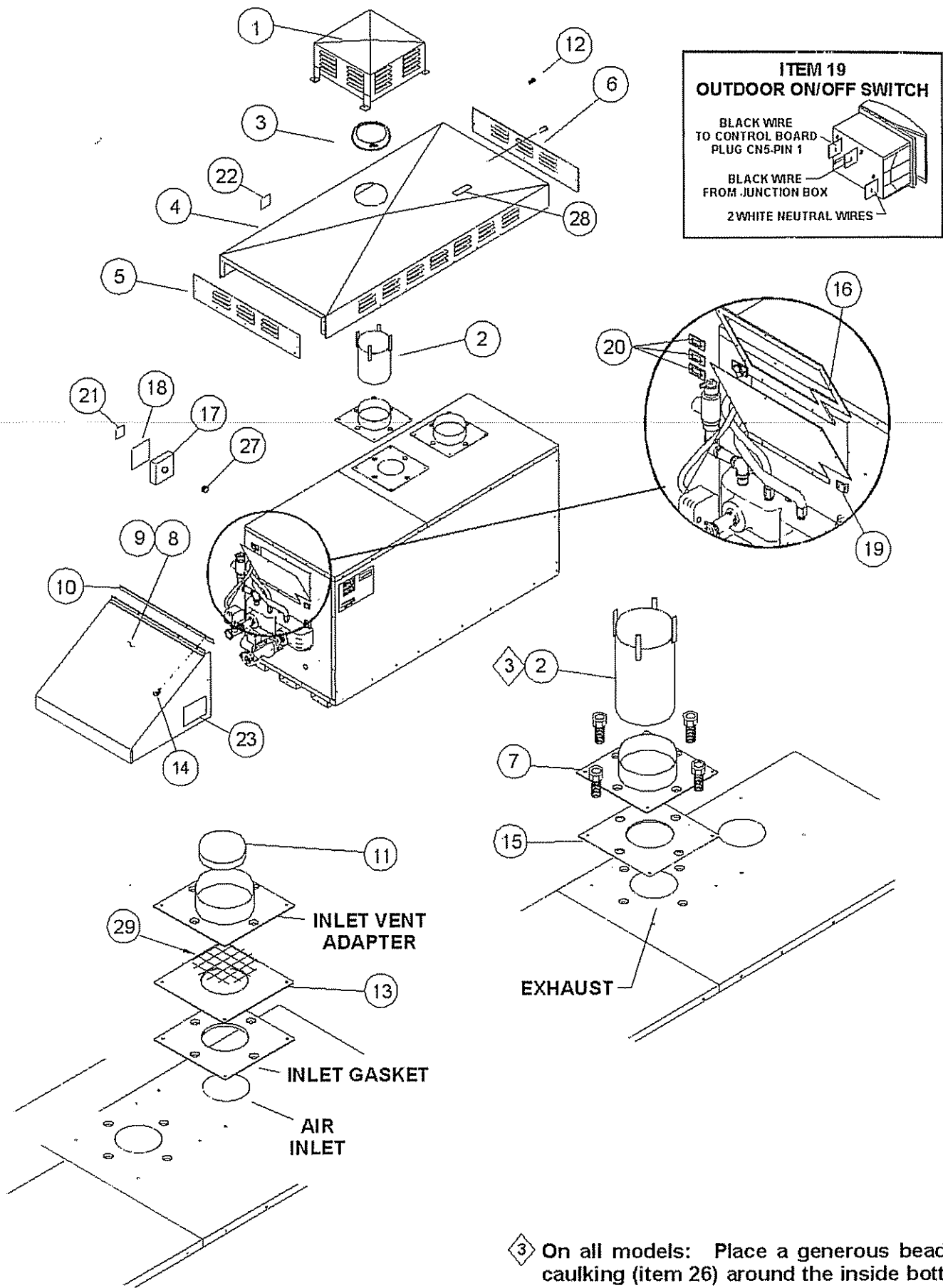
A.O. SMITH WATER PRODUCTS CO., INC.

5621 W. 115TH STREET • ALSIP, ILLINOIS 60803

PHONE: 1-800-433-2545 • FAX: 1-800-433-2515

Website: WWW.HOTWATER.COM • EMAIL: PARTS@HOTWATER.COM

OUTDOOR COMPONENTS ONLY



Item	Qty.	Description	GB/GW-200	GB/GW-300	GB/GW-400	GB/GW-500	GB/GW-650	GB/GW-750
1	1	Rain Cap Assembly	210514	210514	210514	210514	210514	210514
2	1	Pipe - Venting (Saf-T-Vent)	192039-14	192039-19	192039-4	192039-4	192039-4	192039-4
3	1	Storm Collar	210504	210504-1	210504-2	210504-2	210504-2	210504-2
	1	Inlet Air Cover Assembly	210535	210535-1	210535-2	210535-3	210535-4	210535-5
5	1	Left Air Inlet Panel	210523	210523	210523	210523	210523	210523
6	1	Right Air Inlet Panel	210524	210524	210524	210524	210524	210524
7	1	Vent Adapter - 6"	-	-	-	-	192774-2	192774-2
8	1	Pump Cover Assembly - Small	210557	210557	210557	210557	-	-
9	1	Pump Cover Assembly - Large	-	-	-	-	210558	210558
10	1	Gasket - Pump Cover	210566	210566	210566	210566	210566	210566
11	1	Air Filter	210567	210567-1	210567-2	210567-2	210567-3	210567-3
12	30	Screw - 1/2"	210125	210125	210125	210125	210125	210125
13	1	Holder - Air Filter	210568	210568-1	210568-2	210568-2	210568-3	210568-3
14	3	Screw - 1 1/4"	210125-1	210125-1	210125-1	210125-1	210125-1	210125-1
15	1	Gasket - Vent (6")	-	-	-	-	192780-4	192780-4
16	1	Gasket - Control Panel	210583	210583	210583	210583	210583	210583
17	1	2 - Gang Box - Weather Proof	210564	210564	210564	210564	210564	210564
18	1	Cover Plate - 2 Gang Plate	210565	210565	210565	210565	210565	210565
19	1	Switch ON/OFF (Outdoor)	192785	192785	192785	192785	192785	192785
20	3	Gasket - Conduit	210170	210170	210170	210170	210170	210170
21	1	Label - Field Connection	210323	210323	210323	210323	210323	210323
22	1	Label - WARNING - Hot Flue Gases	210627	210627	210627	210627	210627	210627
23	1	Label - Converted to Outdoor Model	210628	210628	210628	210628	210628	210628
24	1	Label - Wiring Diagram - (Not Shown)	192794	192794	192794	192794	192794	192794
25	1	Label - Schematic Dia. (Not Shown)	210273	210273	210273	210273	210273	210273
	1	Caulking Silicone	191482-1	191482-1	191482-1	191482-1	191482-1	191482-1
27	1	Nipple - Chase	41994-2	41994-2	41994-2	41994-2	41994-2	41994-2
28	1	Label - Air Shutter Adjustment	210910	210910	210910	210910	210910	210910
29	1	Screen - Air Inlet	192220-1	192220-1	192220-1	192220-1	192220-1	192220-1

Note: Underlined part numbers are recommended stock items for replacement parts.



A. O. SMITH
WATER PRODUCTS
COMPANY
 PSD / Alsip, IL

A. O. SMITH WATER PRODUCTS CO., INC.
 5621 W. 115TH STREET • ALSIP, ILLINOIS 60803
 PHONE: 1-800-433-2545 • FAX: 1-800-433-2515
 Website: WWW.HOTWATER.COM • EMAIL: PARTS@HOTWATER.COM