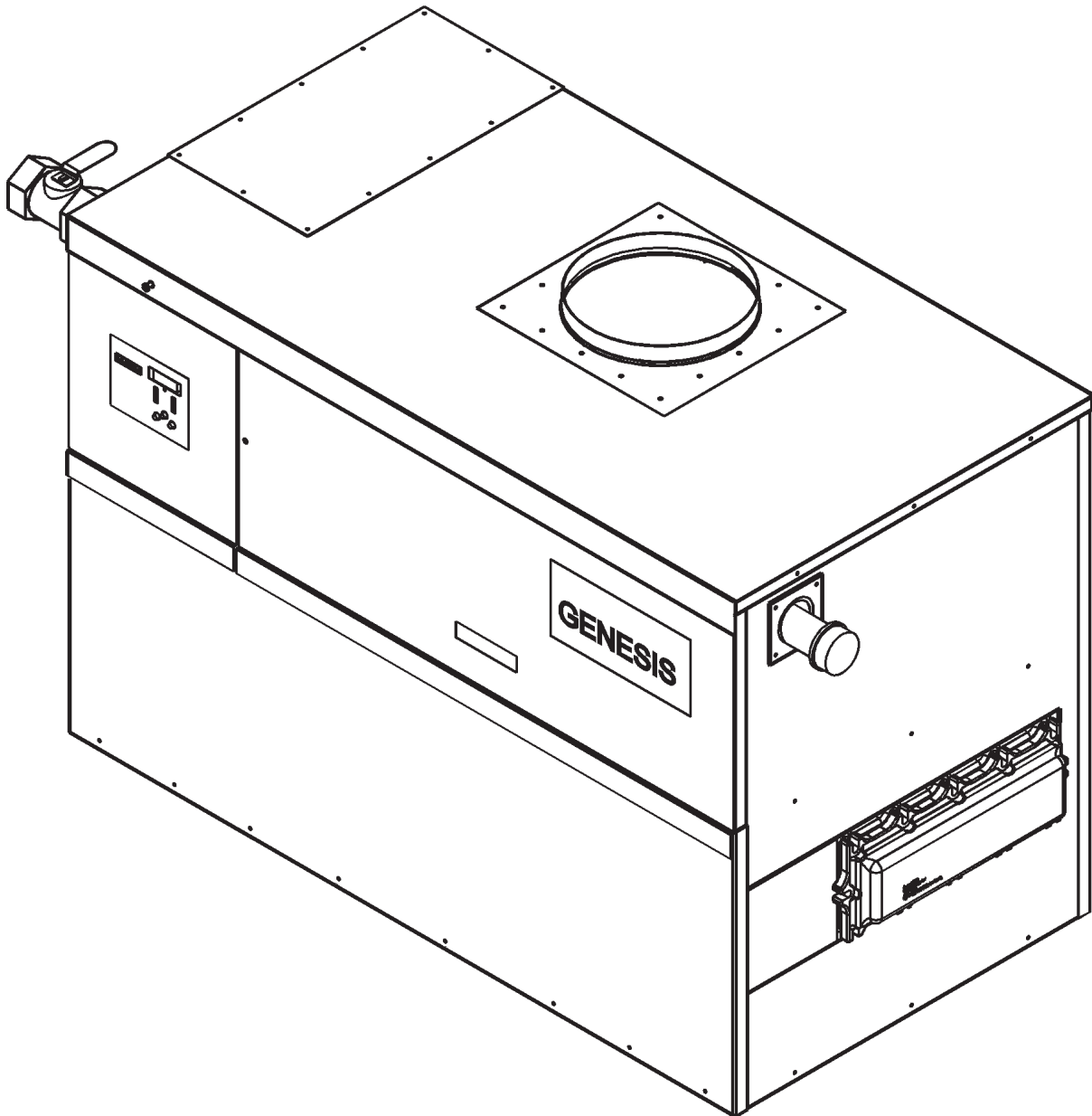


AO Smith

GAS



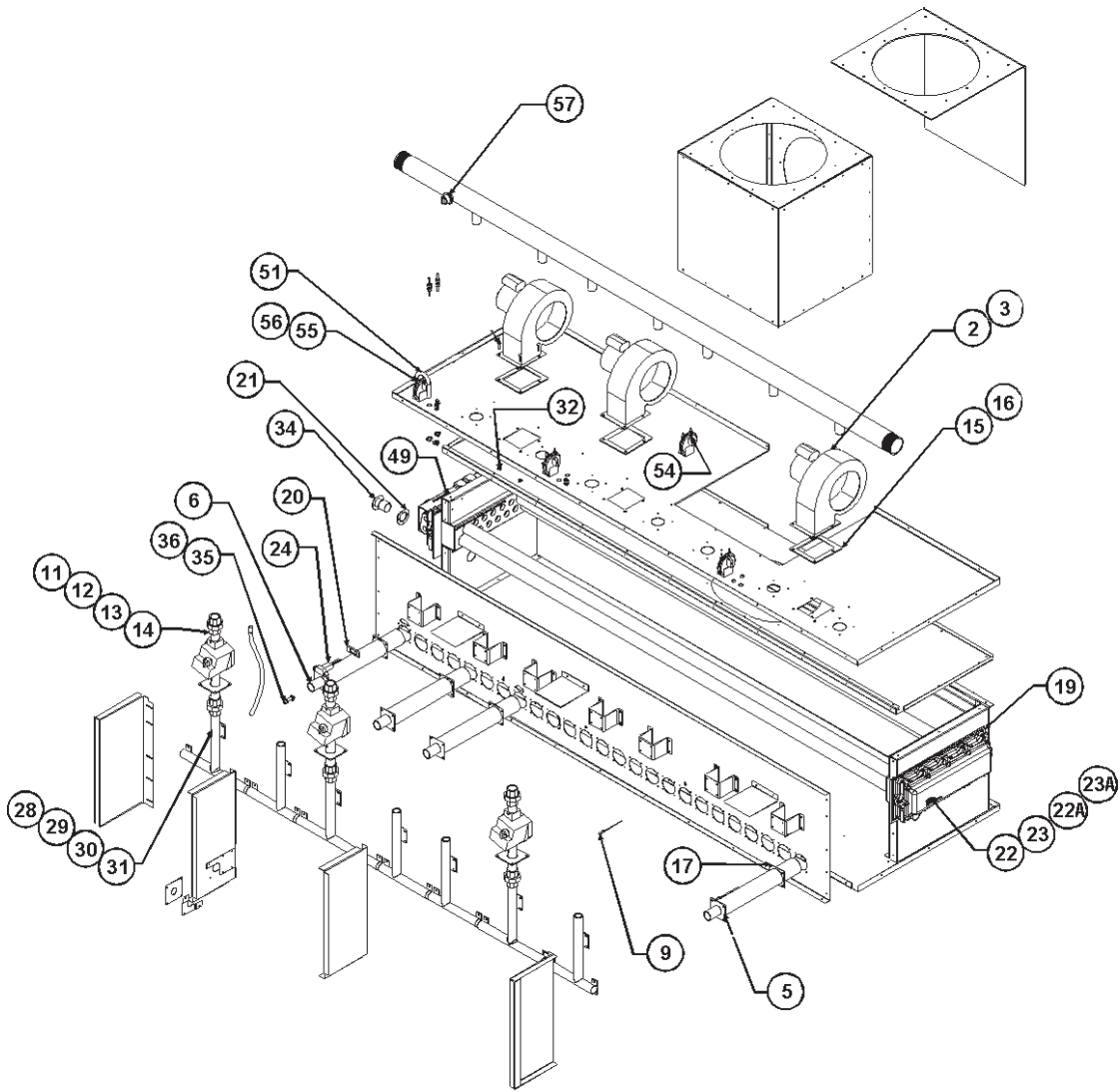
**GAS-FIRED HOT WATER BOILER
REPLACEMENT PARTS LIST**
BOILERS FOR HYDRONIC
HEATING & HOT WATER SUPPLY
MODELS GB/GW: 1000, 1300,
1500, 1850, 2100, 2500
SERIES: 500



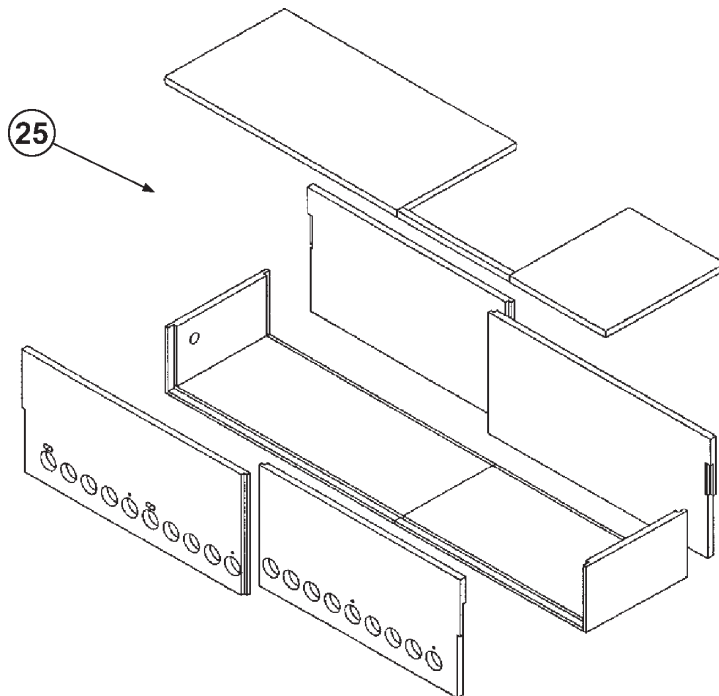
A.O. Smith Water Heater Parts Fulfillment
125 Southeast Parkway
Franklin, TN 37068
1-800-527-1953
www.hotwater.com

Item	Description	GB/GW 1000	GB/GW 1300	GB/GW 1500	GB/GW 1850	GB/GW 2100	GB/GW 2500
COMBUSTION CHAMBER ASSEMBLY COMPONENTS:							
2	Blower Assembly, Large	9005332205	9005332205	9005332205	9005332205	9005332205	9005332205
3	Blower Assembly, Small	9005333205					
5	Burner 60mm	9005895205	9005895205	9005895205	9005895205	9005895205	9005895205
6	Burner Assembly	9005847205	9005847205	9005847205	9005847205	9005847205	9005847205
9	Flame Sensor	9004520215	9004520215	9004520215	9004520215	9004520215	9004520215
11	Gas Train, 3 & 4 burner - Nat	9004521205	9004521205		9004521205	9004521205	9004521205
12	Gas Train, 3 & 4 burner - Prop	9004582205	9004582205		9004582205	9004582205	9004582205
13	Gas Train, 5 burner - Nat		9004496205	9004496205	9004496205	9004496205	9004496205
14	Gas Train, 5 burner - Prop		9004495205	9004495205	9004495205	9004495205	9004495205
15	Gasket, blower	210775-000	210775-000	210775-000	210775-000	210775-000	210775-000
16	Gasket, blower	210776-000					
17	Gasket, burner	9005914215	9005914215	9005914215	9005914215	9005914215	9005914215
19	Gasket, heat exchanger	210779-000	210779-000	210779-000	210779-000	210779-000	210779-000
20	Gasket, igniter	9005933215	9005933215	9005933215	9005933215	9005933215	9005933215
21	Gasket, observation port	211297-000	211297-000	211297-000	211297-000	211297-000	211297-000
22	Heat Exchanger Assembly (GB only)	9006554005	9007624005	9007267005	9005228205	9006522005	9006963005
22a	Heat Exchanger Assembly brass (GB only)	9005227205	9007340005	9007342005	9007344005	9006227205	9007348005
23	Heat Exchanger Assembly (GW only)	9005229205	9005230205	9005231205	9006549005	9007346005	9007349005
23a	Heat Exchanger Assembly brass (GW only)		9007341005	9007343005	9007345005	9007347005	9005248205
24	Igniter	9006101205	9006101205	9006101205	9006101205	9006101205	9006101205
25	Insulation Assembly	212451-000	212451-001	212451-002	212451-003	212451-004	212451-005
28	Manifold Assembly, 3 burner	9007215005				9007215005	9007215005
29	Manifold Assembly, 3 burner	9007217005				9007217005	9007217005
30	Manifold Assembly, 4 burner	9007214005	9007214005				9007214005
31	Manifold Assembly, 5 burner		210763-000	210763-000	210763-000	210763-000	210763-000
34	Observation Port Assembly	9005356215	9005356215	9005356215	9005356215	9005356215	9005356215
35	Orifice - Nat	210758-111	210758-111	210758-111	210758-111	210758-111	210758-111
36	Orifice - Prop	210758-075	210758-075	210758-075	210758-075	210758-075	210758-075
51	Silicone - Tube	9006548005	9006548005	9006548005	9006548005	9006548005	9006548005
54	Switch, Blocked Flue	9005681205	9005681205	9005681205	9005681205	9005681205	9005681205
55	Switch, Differential	9004634215	9004634215	9004634215	9004634215	9004634215	9004634215
56	Switch, Differential - Prop	9004634215	9004634215	9004634215	9004634215	9004634215	9004634215
57a	Swith, Low Gas - Nat	9003301205	9003301205	9003301205	9003301205	9003301205	9003301205
57b	Swith, Low Gas - Prop	9007350015	9007350015	9007350015	9007350015	9007350015	9007350015

COMBUSTION CHAMBER ASSEMBLY COMPONENTS



INSULATION ASSEMBLY COMPONENTS

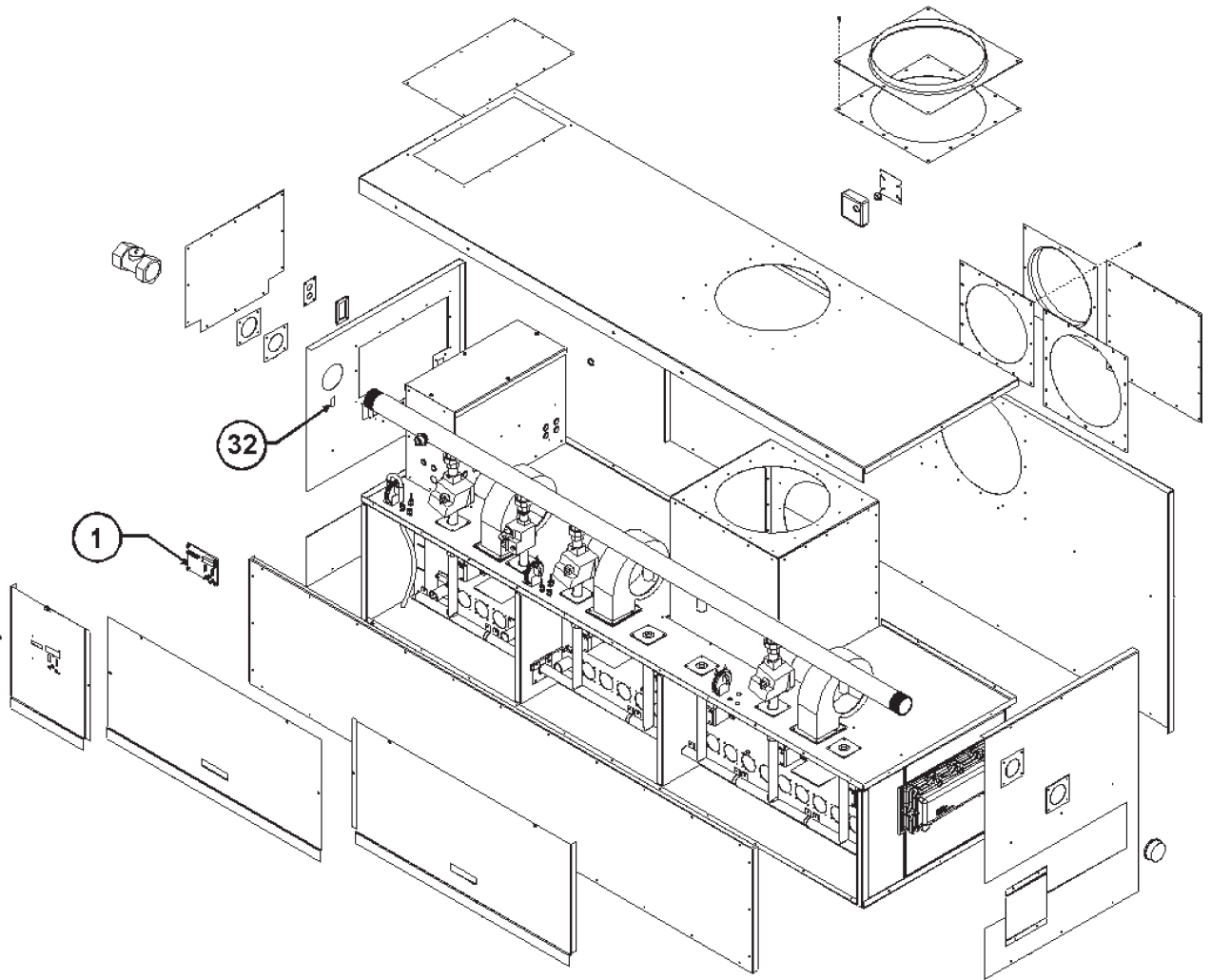


Item	Description	GB/GW 1000	GB/GW 1300	GB/GW 1500	GB/GW 1850	GB/GW 2100	GB/GW 2500
JACKET ASSEMBLY COMPONENTS:							
1	User Interface, Display	9007351005	9007351005	9007351005	9007351005	9007351005	9007351005
32	Switch, Rocker	9004484215	9004484215	9004484215	9007352015	9007352015	9007352015

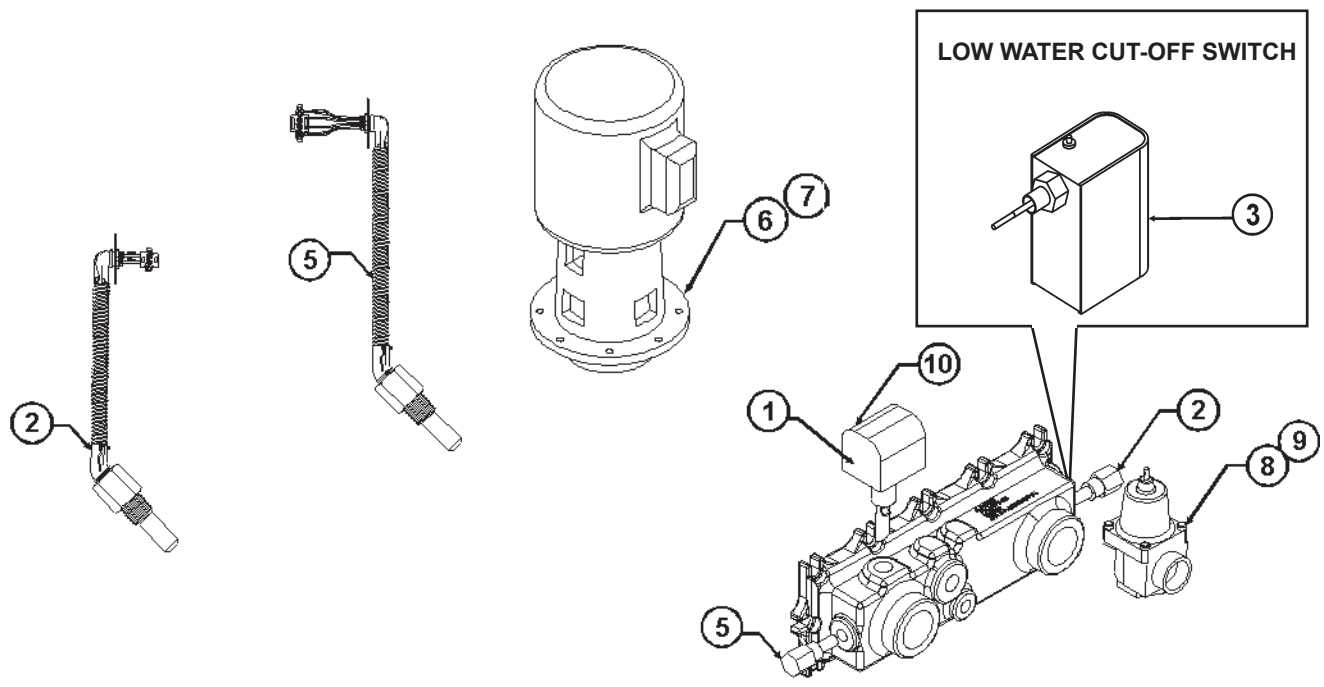
Item	Description	GB 1000/1300	GB 1500	GB 1850/2100	GB 2500	GW 1000-1500	GW 1850	GW 2100/2500
------	-------------	-----------------	------------	-----------------	------------	-----------------	------------	-----------------

WATER HEATER CONNECTIONS:								
2	Inlet Temp Conduit Assembly	210180-001	210180-001	210180-001	210180-001	210180-001	210180-001	210180-001
3	Low Water Cutoff	9007336005	9007352015	9007352015	9007352015	9007352015	9007352015	9007352015
5	Outlet Conduit Assembly	210181-001	210181-001	210181-001	210181-001	210181-001	210181-001	210181-001
6	Pump - 1/2 HP Volute					9006846005		
7	Pump - 1 HP Volute						211251-000	211251-000
8	Relief Valve - 125 psi					9005352205	9005352205	9005352205
9	Relief Valve - 50 psi	9007332005	9007333005	9007333005	9007334005			
10	Switch - Flow	210176-000	210176-000	210176-000	210176-000	210176-000	210176-000	210176-000
11	Tank Probe					9005915205	9005915205	9005915205

JACKET ASSEMBLY COMPONENTS

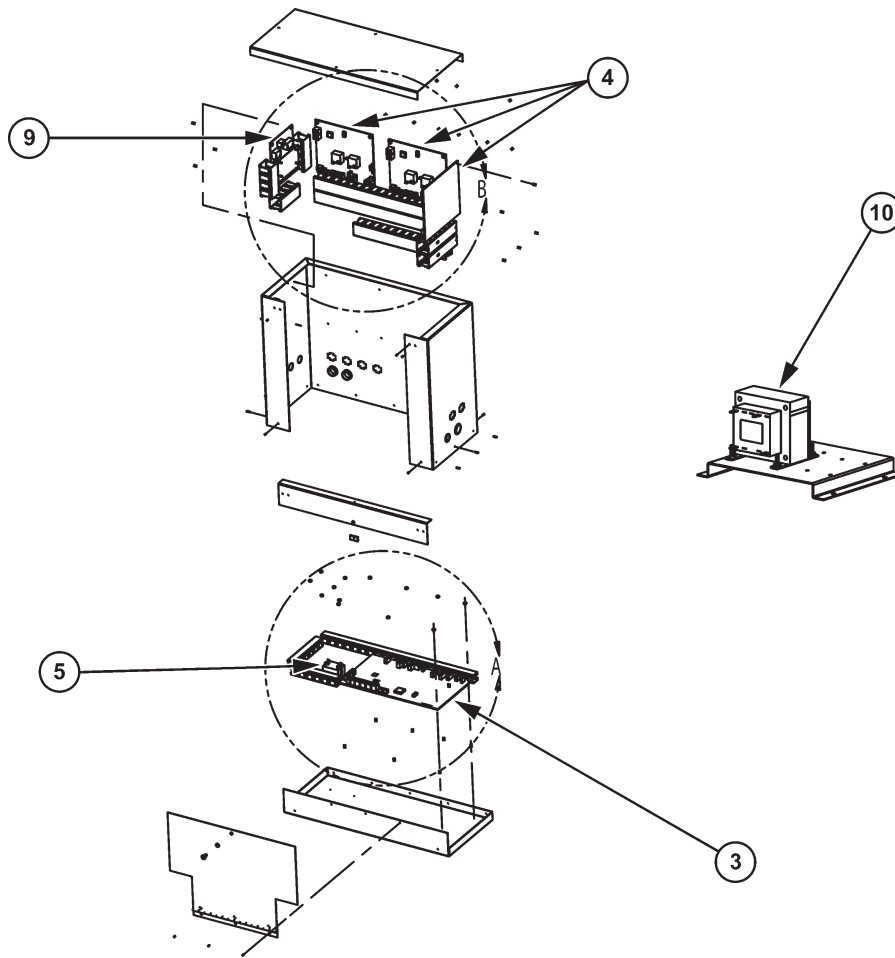


WATER HEATER CONNECTIONS



Item	Description	GB/GW 1000-1500	GB/GW 1850-2500
3	Central Control Board (CCB)	9006520005	9006520005
4	Flame Control Board (FCB)	9006521005	9006521005
5	Relay, 120-volt	9006612005	9006612005
9	Power Distribution Board (PDB)	9007310005	9007310005
10	Transformer, 150 VA	9004639205	
10a	Transformer, 250 VA		9007353005

CONTROL BOX ASSEMBLY



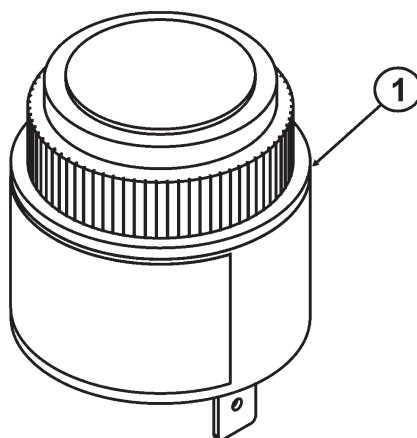
Item	Description	GB/GW 1000	GB/GW 1300	GB/GW 1500	GB/GW 1850	GB/GW 2100	GB/GW 2500
------	-------------	---------------	---------------	---------------	---------------	---------------	---------------

CSD-1 COMPONENTS:

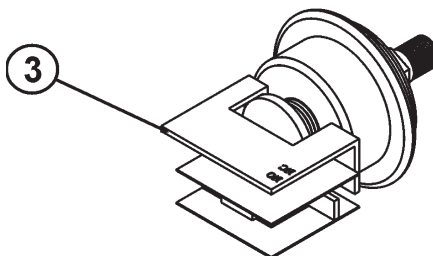
1.....	Alarm Buzzer	9006979005	9006979005	9006979005	9006979005	9006979005	9006979005
3.....	High Pressure Switch - Natural.....	9004513215	9004513215	9004513215	9004513215	9004513215	9004513215
3a.....	High Pressure Switch - Propane.....	9004512215	9004512215	9004512215	9004512215	9004512215	9004512215

CSD-1 COMPONENTS

ALARM BELL
CSD-1 MODELS - OPTIONAL - STANDARD



HIGH GAS PRESSURE SWITCH
CSD-1 MODELS - STANDARD





A.O. Smith Water Heater Parts Fulfillment
125 Southeast Parkway
Franklin, TN 37068
www.hotwater.com

© 2010 A.O. Smith Corporation