

A. O. SMITH

WATER PRODUCTS COMPANY



PSD-3-155/A

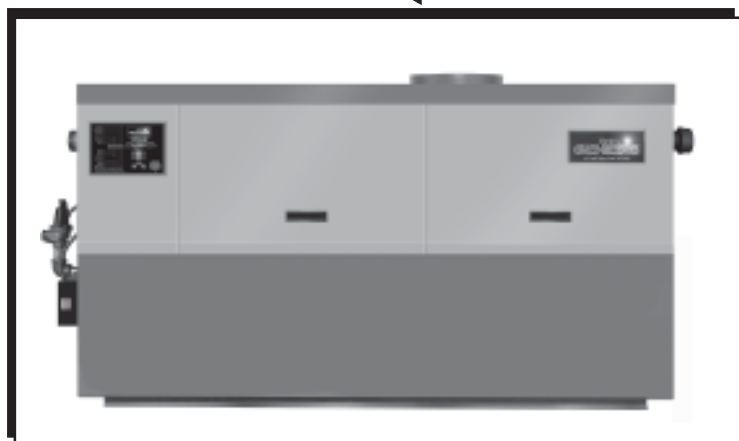
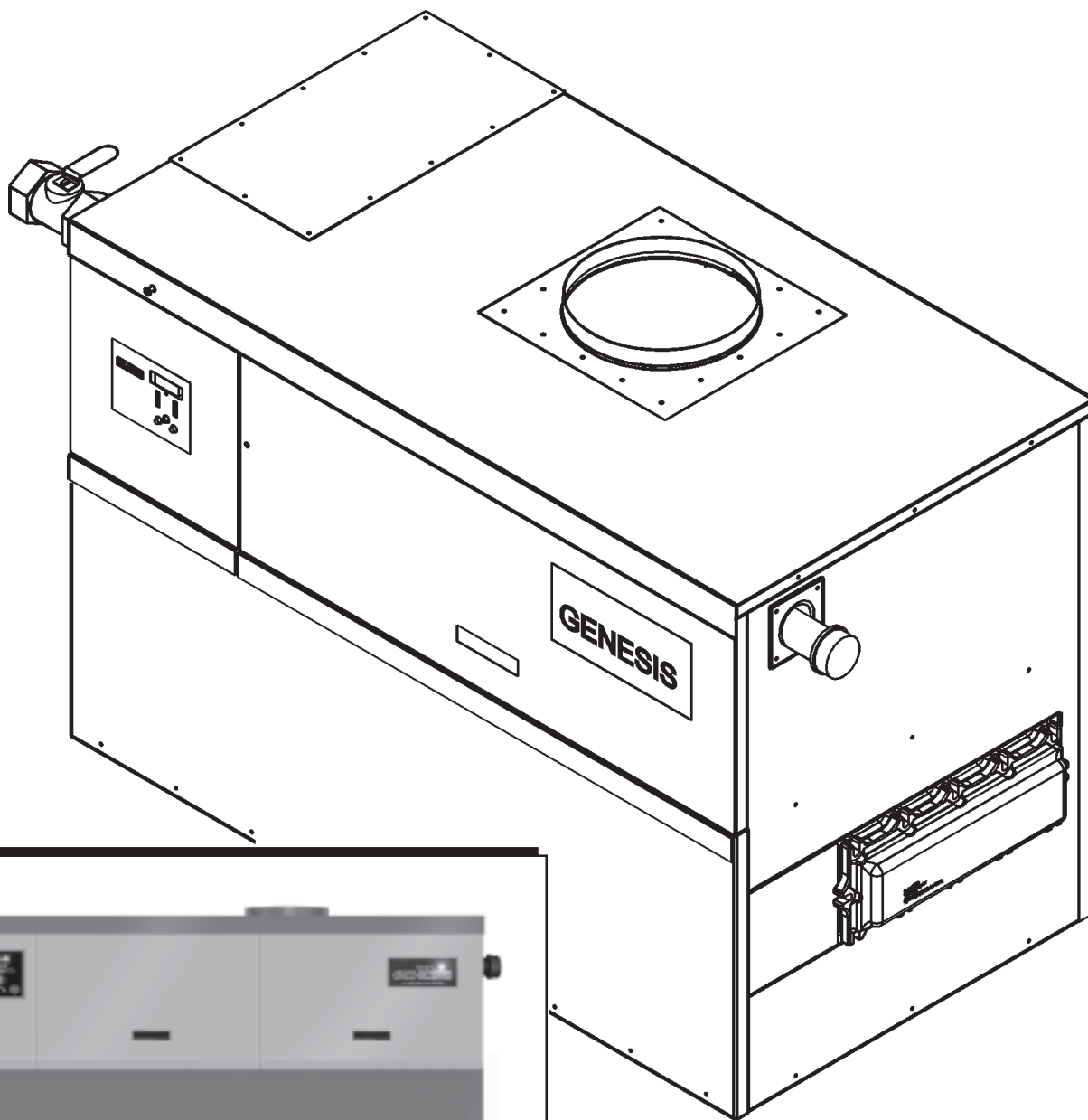
GAS

GAS-FIRED COMMERCIAL REPLACEMENT PARTS LIST

COPPER BOILERS FOR HYDRONIC
HEATING & HOT WATER SUPPLY

MODELS GB/GW: 1000, 1300,
1500, 1850, 2100, 2500

SERIES: 300 - 305



A. O. SMITH WATER PRODUCTS COMPANY

5621 W. 115TH STREET • ALSIP, ILLINOIS 60803

Phone: 1-800-433-2545 • Fax: 1-800-433-2515

website: www.hotwater.com/parts • email: parts@hotwater.com

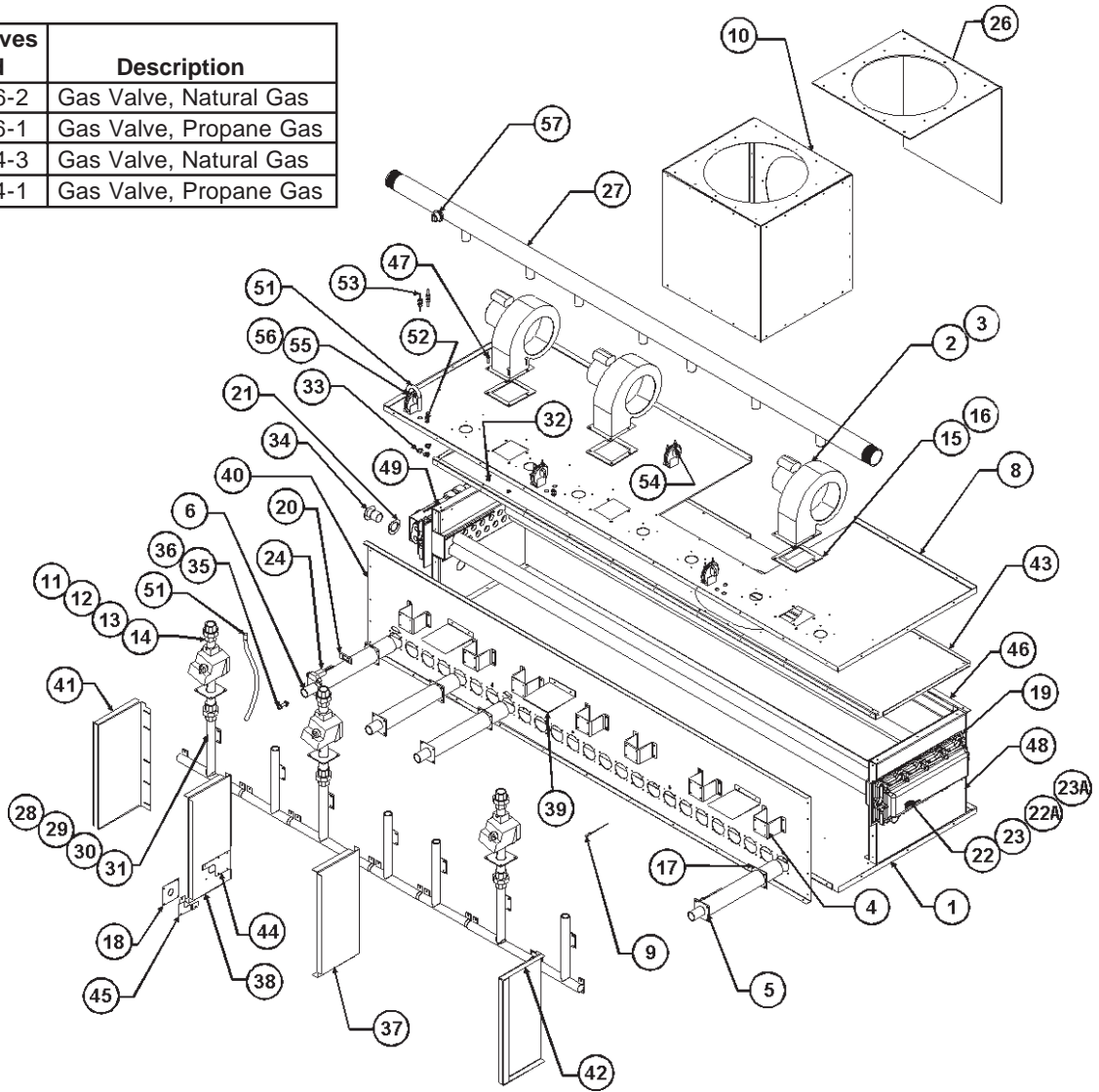
Item	Qty.	Description	GB/GW 1000	GB/GW 1300	GB/GW 1500	GB/GW 1850	GB/GW 2100	GB/GW 2500
COMBUSTION CHAMBER ASSEMBLY COMPONENTS:								
1	1	Base/Leg Assembly	210702	210702-1	210702-2	210702-3	210702-4	210702-5
2	()	Blower Assembly, Large	211096(1)	211096(2)	211096(2)	211096(3)	211096(3)	211096(3)
3	1	Blower Assembly, Small	211097					
4	()	Bracket, Gas Manifold	210780(3)	210780(3)	210780(3)	210780(4)	210780(5)	210780(7)
5	()	Burner, 60mm	210757(8)	210757(11)	210757(13)	210757(16)	210757(18)	210757(22)
6	()	Burner Assembly	211306(2)	211306(2)	211306(2)	211306(3)	211306(3)	211306(3)
*7	()	Clamp, Hose	211360(2)	211360(2)	211360(2)	211360(3)	211360(3)	211360(3)
8	1	Control Panel	210740	210740-1	210740-2	210740-3	210740-4	210740-5
9	()	Flame Sensor	192682(3)	192682(3)	192682(3)	192682(4)	192682(4)	192682(4)
10	1	Fluebox Assembly	211290	211290-1	211290-1	211290-2	211290-2	211290-3
11	()	Gas Train, 3 Burner - Nat.	211082(2)	211082(1)			211082(2)	211082(4)
12	()	Gas Train, 3 Burner - Prop.	211082-1(2)	211082-1(1)			211082-1(2)	211082-1(4)
13	()	Gas Train, 4 & 5 Burner - Nat.	211081(1)	211081(2)	211081(3)	211081(4)	211081(3)	211081(3)
14	()	Gas Train, 4 & 5 Burner - Prop.	211081-1(1)	211081-1(2)	211081-1(3)	211081-1(4)	211081-1(3)	211081-1(3)
15	()	Gasket, Blower	210775(1)	210775(2)	210775(2)	210775(3)	210775(3)	210775(3)
16	1	Gasket, Blower	210776					
17	()	Gasket, Burner	210744	210744	210744	210744	210744	210744
18	1	Gasket, Divider Insert		211363	211363	211363	211363	
19	2	Gasket, Heat Exchanger	210779	210779	210779	210779	210779	210779
20	()	Gasket, Igniter	210078(1)	210078(2)	210078(2)	210078(2)	210078(2)	210078(2)
21	2	Gasket, Observation Port	211297	211297	211297	211297	211297	211297
22	1	Heat Exchgr. Ass'y (GB ONLY)	210731	210731-1	210731-2	210731-3	210731-4	210731-5
22A	1	Heat Exchgr. Ass'y Brass(GB ONLY)	211494	211494-1	211494-2	211494-3	211494-4	211494-5
23	1	Heat Exchgr. Ass'y (GW ONLY)	210750	210750-1	210750-2	210750-3	210750-4	210750-5
23A	1	Heat Exchgr. Ass'y Brass(GW ONLY)	211582	211582-1	211582-2	211582-3	211582-4	211582-5
24	()	Igniter	192334(1)	192334(2)	192334(2)	192334(2)	192334(2)	192334(2)
25	1	Insulation Assembly						
A	1	Insulation, Bottom Mate		210724	210724-1	210724-2	210724-3	210724-4
B	1	Insulation, Bottom Panel	210746	210723	210723	210723	210723	210723
C	1	Insulation, Front Mate		210722	210722-1	210722-2	210722-3	210722-4
D	1	Insulation, Front Panel	210744	210721	210721	210721	210795	210794
E	1	Insulation, Rear Mate		210726	210726-1	210726-2	210726-3	210726-4
F	1	Insulation, Rear Panel	210745	210725	210725	210725	210725	210725
G	1	Insulation, Side Panel	210727	210727	210727	210727	210727	210727
H	1	Insulation, Side Panel	210727-1	210727-1	210727-1	210727-1	210727-1	210727-1
I	1	Insulation, Side Panel	210728-6	210728-6	210728-7	210728-9	210728-10	210728-11
J	1	Insulation, Side Panel	210728-12	210728-1	210728-5	210728-2	210728-4	210728-8
K	1	Insulation, Top Panel	210743	210743-1	210743-1	210743-2	210743-2	210743-3
26	2	Insulation, Fluebox Outer	211411	211411-1	211411-1	211411-2	211411-2	211411-3
27	1	Main Gas Manifold	210756	210756-1	210756-2	210756-3	210756-4	210756-5
28	()	Man. Assembly, 3 Burner	210755(1)				210755(2)	210755(2)
29	()	Man. Assembly, 3 Burner	210761	210761				210761(2)
30	()	Man. Assembly, 4 Burner	210754(1)			210754(1)		210754(2)
31	()	Man. Assembly, 5 Burner		210763(2)	210763(3)	210763(3)	210763(3)	210763(1)
32	()	Nut, Hex Serrated Flange	210226(8)	210226(8)	210226(8)	210226(12)	210226(12)	210226(12)
33	()	Nut, Locking	210174(6)	210174(6)	210174(6)	210174(9)	210174(9)	210174(9)
34	2	Observation Port Assembly	98760	98760	98760	98760	98760	98760
35	()	Orifice-Natural	210758-111(10)	210758-111(13)	210758-111(15)	210758-111(19)	210758-111(21)	210758-111(25)
36	()	Orifice-Propane	210758-75(10)	210758-75(13)	210758-75(15)	210758-75(19)	210758-75(21)	210758-75(25)
37	()	Panel, Air Box Divider	210720(1)			210720(1)	210720(1)	210720(2)
38	1	Panel, Air Box Divider w/Slot		210720-1	210720-1	210720-1	210720-1	
39	()	Panel, Air Diverter	211080(2)	211080(2)	211080(2)	211080(3)	211080(3)	211080(3)
40	1	Panel, Front Combustion	210703	210703-1	210703-2	210703-3	210703-4	210703-5
41	1	Panel, Side Air Chamber	211088	211088	211088	211088	211088	211088
42	1	Panel, Side Air Chamber	211088-1	211088-1	211088-1	211088-1	211088-1	211088-1
43	1	Panel, Top Combustion	210717	210717-1	210717-2	211135	211135-1	211135-2
44	1	Plate, Divider Insert		211134	211134	211134	211134	
45	1	Plate, Insert Mate		211309	211309	211309	211309	
46	1	Rear Combustion Assembly	211254	211254-1	211254-2	211254-3	211254-4	211254-5
47	()	Screw Cap	190960(8)	190960(8)	190960(8)	190960(12)	190960(12)	190960(12)
48	1	Side Panel Assembly	210716-1	210716-1	210716-1	210716-1	210716-1	210716-1
49	1	Side Panel Assembly	210716	210716	210716	210716	210716	210716
50	()	Silicone Tube	210209-10(4)	210209-10(4)	210209-10(4)	210209-10(6)	210209-10(6)	210209-10(6)
51	()	Silicone Tube	210209-25(3)	210209-25(3)	210209-25(3)	210209-25(4)	210209-25(4)	210209-25(4)
52	()	Strain Relief	210173(2)	210173(2)	210173(2)	210173(3)	210173(3)	210173(3)
53	()	Strain Relief Tube Assembly	210234(4)	210234(4)	210234(4)	210234(6)	210234(6)	210234(6)
54	1	Switch, Blocked Flue	210908-2	210908-2	210908-2	210908-2	210908-2	210908-2
55	()	Switch, Differential	211094(2)	211094(2)	211094(2)	211094(3)	211094(3)	211094(3)
56	()	Switch, Differential - Prop.	211094-1(2)	211094-1(2)	211094-1(2)	211094-1(3)	211094-1(3)	211094-1(3)
57	1	Switch, Low Gas Nat/Prop	191149-1/3	191149-1/3	191149-1/3	191149-1/3	191149-1/3	191149-1/3

Note: () Item quantity.
* Items not illustrated.

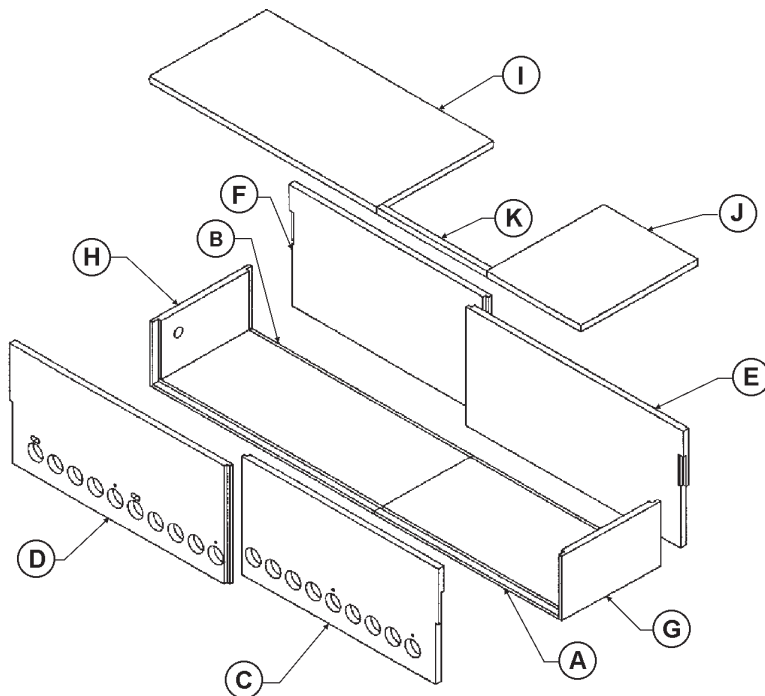
CSD-1 and IRI Models substitute the following part numbers for the Gas Train Assemblies:
 •Item 11 substitute with 211082-2 •Item 12 substitute with 211082-3
 •Item 13 substitute with 211081-2 •Item 14 substitute with 211081-3

COMBUSTION CHAMBER ASSEMBLY COMPONENTS

Gas Train	Gas Valves Used	Description
211081	191956-2	Gas Valve, Natural Gas
211081-1	191956-1	Gas Valve, Propane Gas
211082	192454-3	Gas Valve, Natural Gas
211082-1	192454-1	Gas Valve, Propane Gas



INSULATION ASSEMBLY COMPONENTS

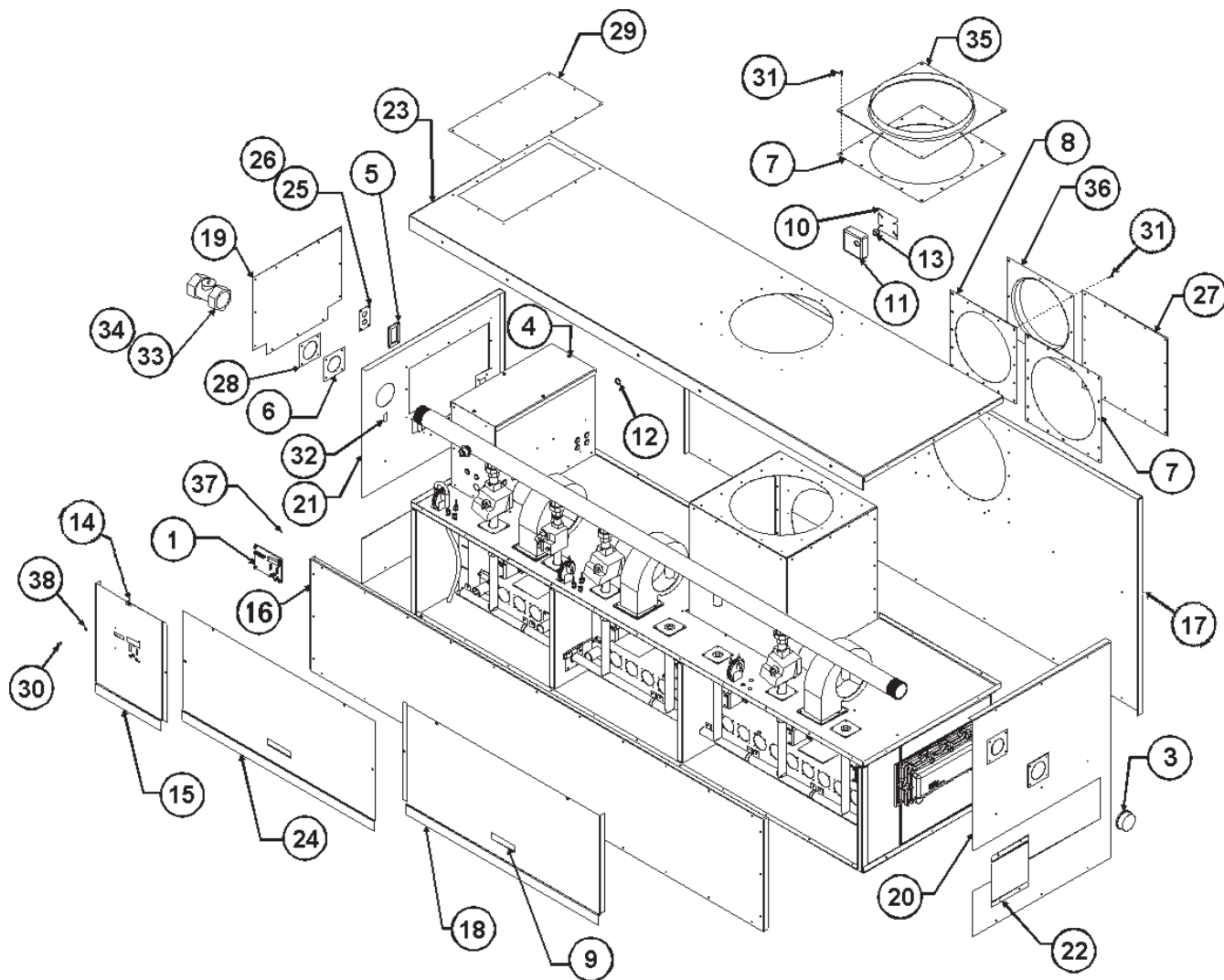


Item Qty. Description	GB/GW 1000	GB/GW 1300	GB/GW 1500	GB/GW 1850	GB/GW 2100	GB/GW 2500
JACKET ASSEMBLY COMPONENTS:						
1 1 Board, Display	211069	211069	211069	211069	211069	211069
2 1 Bracket, Control Box Support	211362	211362	211362	211362	211362	211362
3 1 Cap, Pipe	43762-1	43762-1	43762-1	43762-2	43762-2	43762-2
4 1 Control Box (Incl. ICBs, CCB and Wires) .	211671	211671	211671	211671-1	211671-1	211671-1
5 2 Gasket, Conduit	211266	211266	211266	211266	211266	211266
6 2 Gasket, Main Gas Manifold	211045	211045	211045	211045-1	211045-1	211045-1
7 2 Gasket, Vent Adaptor	211049-1	211049-2	211049-2	211049-3	211049-3	211049-4
8 1 Gasket, Vent Adaptor (Air Inlet)	211049	211049-1	211049-1	211049-1	211049-2	211049-3
9 () ... Handle, Front Panel	191802(1)	191802(1)	191802(1)	191802(2)	191802(2)	191802(2)
10 2 J-Box Cover	2233	2233	2233	2233	2233	2233
11 2 Junction Box	190438-4	190438-4	190438-4	190438-4	190438-4	190438-4
12 2 Locknut, Star	1953	1953	1953	1953	1953	1953
13 2 Nipple, Chase	41994	41994	41994	41994	41994	41994
14 () ... Nut, Speed	68463(4)	68463(4)	68463(4)	68463(7)	68463(7)	68463(7)
15 1 Panel, Display Ass'y.	211071	211071	211071	211071-1	211071-1	211071-1
16 1 Panel, Front Bottom	211252	211252-1	211252-2	211252-3	211252-4	211252-5
17 1 Panel, Rear Jacket	210739	210739-1	210739-2	211137	211137-1	211137-2
18 1 Panel, Right Jack. Ass'y.	211073	211073-1	211073-2	211282	211282-1	211282-2
19 1 Panel, Side Access	210792	210792	210792	210792	210792	210792
20 1 Panel, Side Jacket	210738	210738	210738	210738-1	210738-1	210738-1
21 1 Panel, Side Jacket	210737	210737	210737	210737-1	210737-1	210737-1
22 2 Panel, Side Jacket Insert	211074	211074	211074	211074	211074	211074
23 1 Panel, Top Jacket	210733	210733-1	210733-2	210733-3	210733-4	210733-5
24 1 Panel, Mid-Jacket Ass'y.	- - -	- - -	- - -	211072	211072	211072-1
25 1 Plate, Conduit	211265	211265	211265	211265	211265	211265
26 1 Plate, Conduit - 2 Holes	211265-1	211265-1	211265-1	211265-1	211265-1	211265-1
27 1 Plate, Flue	211047	211047-1	211047-1	211047-2	211047-2	211047-3
28 2 Plate, Main Gas Manifold	211046	211046	211046	211046-1	211046-1	211046-1
29 1 Plate, Top Jacket	211142	211142	211142	211142	211142	211142
30 () ... Screw, Panel	68462(4)	68462(4)	68462(4)	68462(7)	68462(7)	68462(7)
31 () ... Screw, Sheet Metal	210125-1(52)	210125-1(56)	210125-1(56)	210125-1(56)	210125-1(56)	210125-1(56)
32 1 Switch, Rocker	191665-1	191665-1	191665-1	191665-1	191665-1	191665-1
33 1 Valve, Ball 2 X 2	69022-2	69022-2	69022-2	- - -	- - -	- - -
34 1 Valve, Ball 2 1/2 X 2 1/2	- - -	- - -	- - -	69022-3	69022-3	69022-3
35 1 Vent Adaptor - Exhaust	210783-1	210783-2	210783-2	210783-3	210783-3	210783-4
36 1 Vent Adaptor - Air Inlet	210783	210783-1	210783-1	210783-1	210783-2	210783-2
37 4 Washer, Locknut	210207	210207	210207	210207	210207	210207
38 () ... Washer, Retaining (SPL)	68338(4)	68338(4)	68338(4)	68338(7)	68338(7)	68338(7)

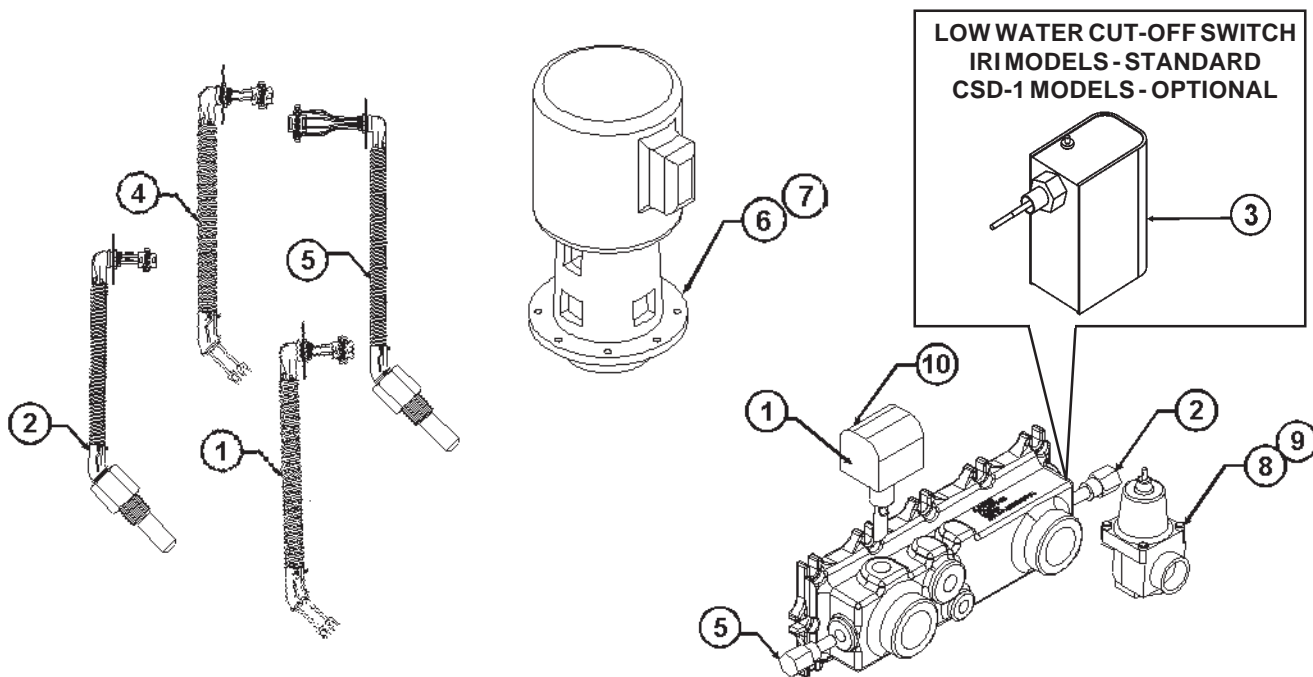
Item Qty. Description	GB 1000, 1300	GB 1500	GB 1850, 2100	GB 2500	GW 1000 - 1500	GW 1850	GW 2100, 2500
WATER HEATER CONNECTIONS:							
1 1 Flow Switch Conduit Ass'y.	211156	211156	211156	211156	211156	211156	211156
2 1 Inlet Temp Conduit Ass'y.	210180-1	210180-1	210180-1	210180-1	210180-1	210180-1	210180-1
3 1 Low Water Cutoff	210376	210376	210376	210376	210376	210376	210376
4 1 Low Water Cutoff Conduit Ass'y ..	211118	211118	211118	211118	211118	211118	211118
5 1 Outlet Conduit Ass'y.	210181-1	210181-1	210181-1	210181-1	210181-1	210181-1	210181-1
6 1 Pump - 1/2 HP Volute	- - -	- - -	- - -	- - -	211324	- - -	- - -
7 1 Pump - 1 HP Volute	- - -	- - -	- - -	- - -	- - -	211251	211251
8 1 Relief Valve-125 psi	- - -	- - -	- - -	- - -	98883-3	98883-3	98883-7
9 1 Relief Valve-50 psi	210451-1	210451-2	210451-2	210451-3	- - -	- - -	- - -
10 1 Switch - Flow	210176	210176	210176	210176	210176	210176	210176
*11 1 Tank Probe	- - -	- - -	- - -	- - -	210211-1	210211-1	210211-1

Note: () Item quantity. * Items not illustrated.

JACKET ASSEMBLY COMPONENTS

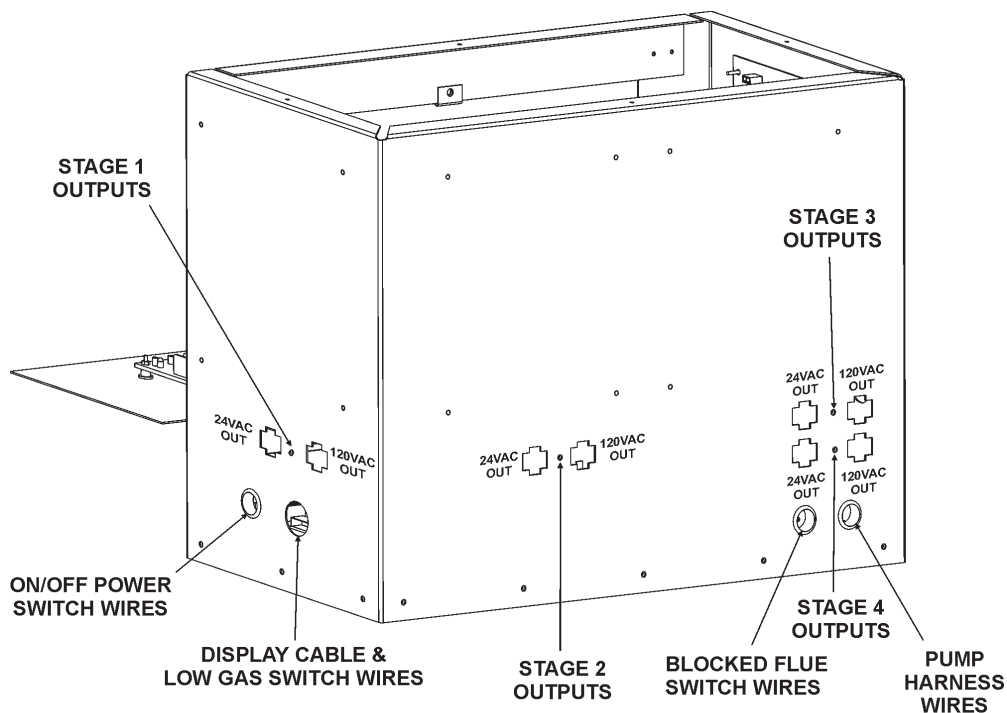
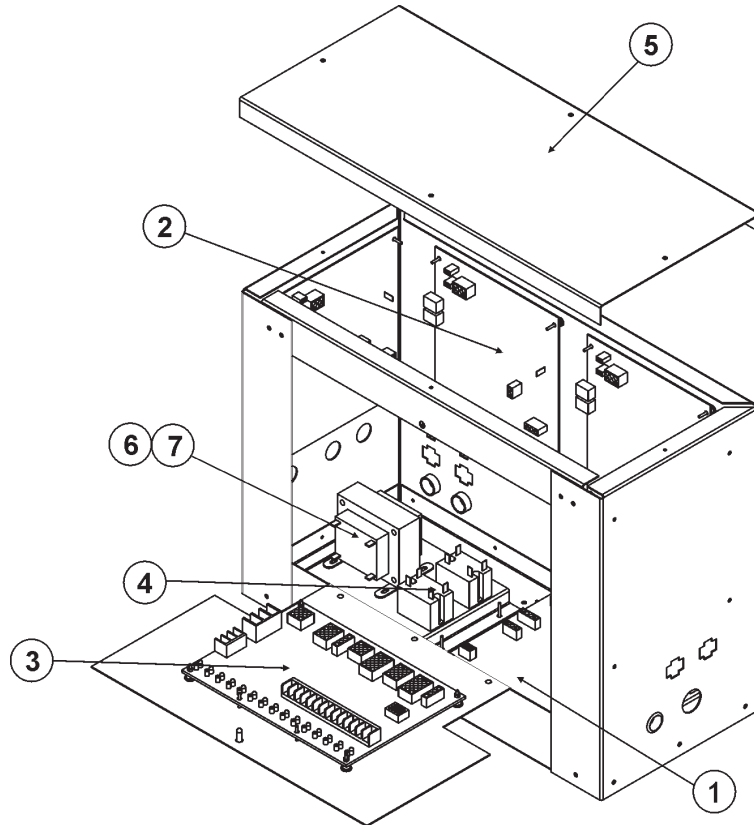


WATER HEATER CONNECTIONS



Item	Qty.	Description	GB/GW 1000	GB/GW 1300	GB/GW 1500	GB/GW 1850	GB/GW 2100	GB/GW 2500
CONTROL BOX INTERIOR COMPONENTS:								
1	1	CCB Circuit Board	210748	210748	210748	210748	210748	210748
2	()	ICB Circuit Board	210749(3)	210749(3)	210749(3)	210749(4)	210749(4)	210749(4)
3	1	Interface Board	211641	211641	211641	211641	211641	211641
4	1	Switch - Relay	211546	211546	211546	211546	211546	211546
5	1	Top - Control Box	211109	211109	211109	211109	211109	211109
6	1	Transformer, 150VAC	211477	211477	211477			
7	1	Transformer, 250VAC				211673	211673	211673

CONTROL BOX ASSEMBLY

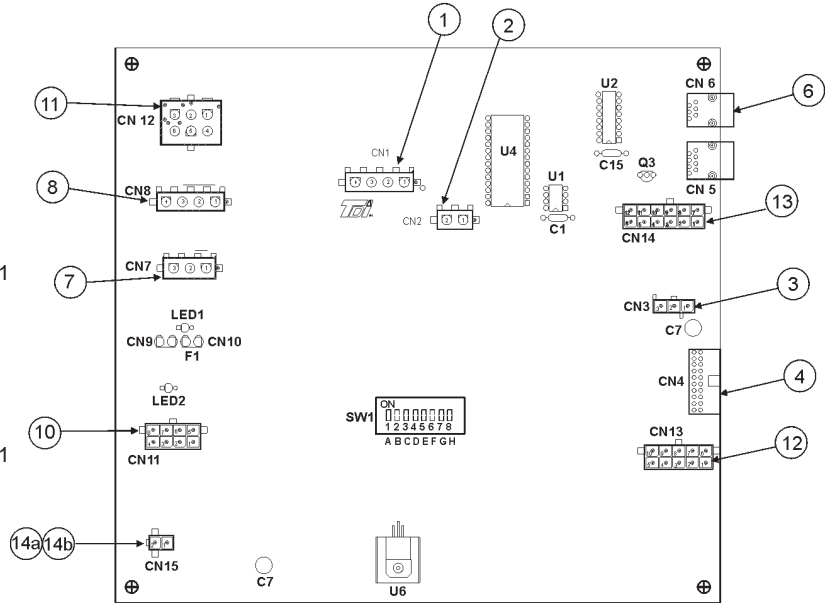


Item Qty. Description GB/GW
1000 - 2500

CENTRAL CONTROL BOARD

CENTRAL CONTROL BOARD - HARNESS ASSEMBLIES:

1	1	CN 01 Harness Assembly	211646
2	1	CN 02 Harness Assembly	211237
3	1	CN 03 Harness Assembly	211645
4	1	CN 04 Display Cable	211268
5	1	CN 05 Modem Cable	TBA
6	1	CN 06 Intercommunications Cable	211054
7	1	CN 07 Harness Assembly	211228
8	1	CN 08 Harness Assembly	211645
9	1	CN 09/10 Fuse (5 Amp)	210205-1
10	1	CN 11 Harness Assembly	211645
11	1	CN 12 Harness Assembly	211669
12	1	CN 13 Harness Assembly	211645
13	1	CN 14 Harness Assembly	211645
14a	1	CN 15 Harness Assembly(3 Stage)	211219
14b	1	CN 15 Harness Assembly(4 Stage)	211219-1

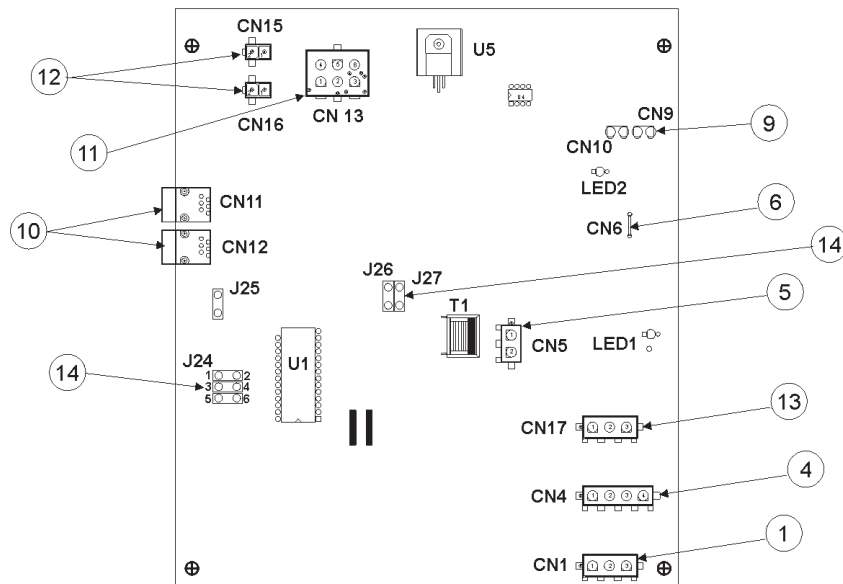


Item Qty. Description	GB/GW 1000	GB/GW 1300	GB/GW 1500	GB/GW 1850	GB/GW 2100	GB/GW 2500
-----------------------	---------------	---------------	---------------	---------------	---------------	---------------

IGNITION CONTROL BOARD - HARNESS ASSEMBLIES:

1	1	CN 01 Harness Assembly	211675	211675	211675	211675-1	211675-1	211675-1
2	1	CN 02 Has Been Deleted	NA	NA	NA	NA	NA	NA
3	1	CN 03 Has Been Deleted	NA	NA	NA	NA	NA	NA
4	1	CN 04 Harness Assembly	211668	211668	211668	211668-1	211668-1	211668-1
5	()	CN 05 Harness Assembly	211236(3)	211236(3)	211236(3)	211236(4)	211236(4)	211236(4)
6	1	CN 06 Harness Assembly	211236(3)	211236(3)	211236(3)	211236(4)	211236(4)	211236(4)
7	1	CN 07 Has Been Deleted	NA	NA	NA	NA	NA	NA
8	1	CN 08 Has Been Deleted	NA	NA	NA	NA	NA	NA
9	()	CN 09/10, Fuse, 3 Amp	210205(3)	210205(3)	210205(3)	210205(4)	210205(4)	210205(4)
10	()	CN 11/12 Communications Cable	211054(2)	211054(2)	211054(2)	211054(3)	211054(3)	211054(3)
11	1	CN 13 Harness Assembly	211659	211659	211659	211659-1	211659-1	211659-1
12	1	CN 15/16 Harness Assembly	211219	211219	211219	211219-1	211219-1	211219-1
13	()	CN 17 Harness Assembly	211236(3)	211236(3)	211236(3)	211236(4)	211236(4)	211236(4)
14	()	PC Board Jumper (J24, J26, J27)	210491	210491	210491	210491	210491	210491

IGNITION CONTROL BOARD



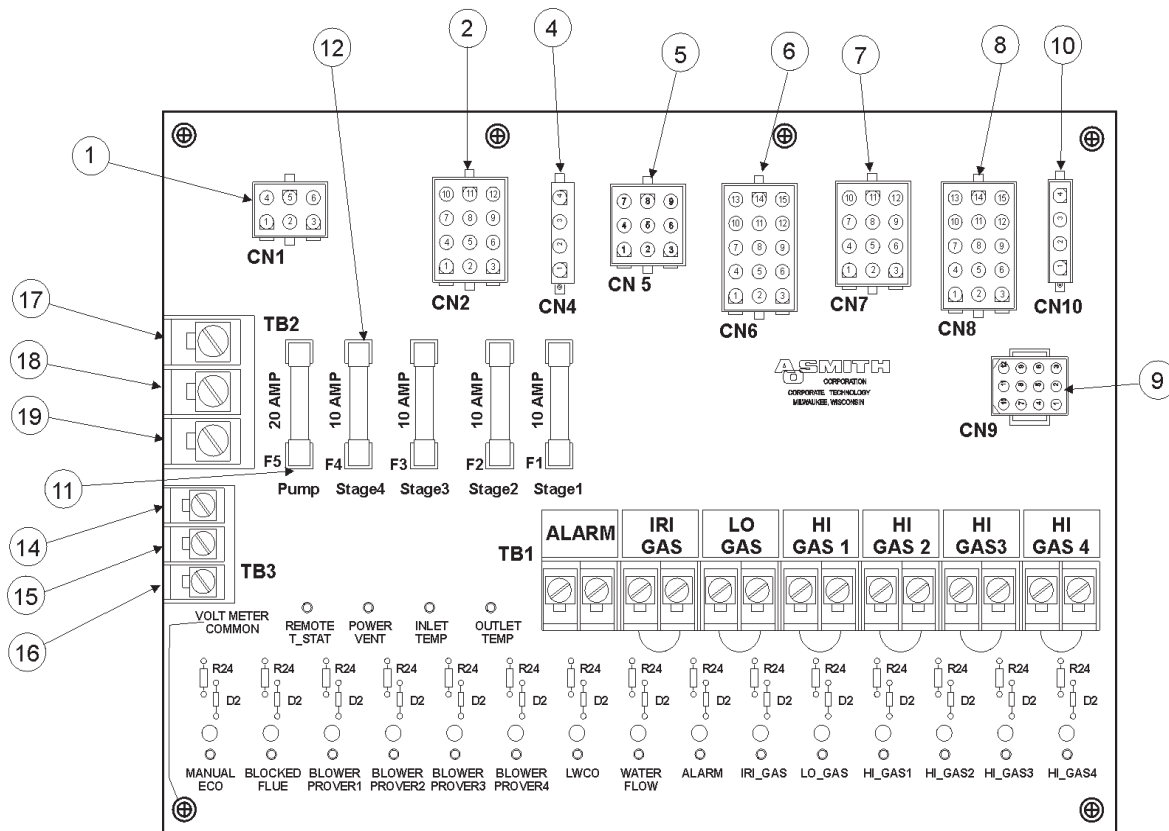
Item Qty.	Description	GB/GW 1000	GB/GW 1300	GB/GW 1500	GB/GW 1850	GB/GW 2100	GB/GW 2500
-----------	-------------	------------	------------	------------	------------	------------	------------

INTERFACE BOARD - HARNESS ASSEMBLIES:

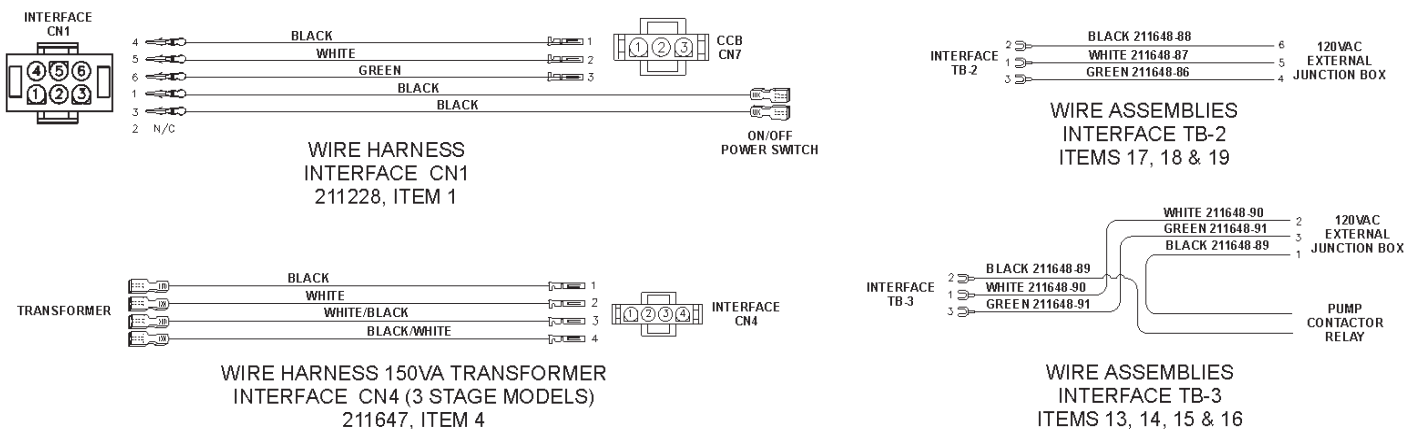
1	1	CN 01 Harness Assembly	211228	211228	211228	211228	211228
2	1	CN 02 Harness Assembly	211675	211675-1	211675-1	211675-1	211675-1
3	1	CN 03 Has Been Deleted	NA	NA	NA	NA	NA
4	1	CN 04 Harness Assembly	211647	211647	211647	211812	211812
5	1	CN 05 Harness Assembly	211668	211668-1	211668-1	211688-1	211688-1
6	1	CN 06 Harness Assembly	211645	211645	211645	211645	211645
7	1	CN 07 Harness Assembly	211659	211659-1	211659-1	211659-1	211659-1
8	1	CN 08 Harness Assembly	211645	211645	211645	211645	211645
9	1	CN 09 Harness Assembly	211660	211660	211660	211660	211660
10	1	CN 10 Harness Assembly	211646	211646	211646	211646	211646
11	1	Fuse, 20 Amp (Pump)	211267	211267	211267	211267	211267
12	4	Fuse, 10 Amp (F1 - F4)	211267-1	211267-1	211267-1	211267-1	211267-1
*13	1	Pump Relay Wire, Black	211648-92	211648-92	211648-92	211648-92	211648-92
14	1	TB 3-1 Wire, White	211648-90	211648-90	211648-90	211648-90	211648-90
15	1	TB 3-2 Wire, Black	211648-89	211648-89	211648-89	211648-89	211648-89
16	1	TB 3-3 Wire, Green	211648-91	211648-91	211648-91	211648-91	211648-91
17	1	TB 2-1 Wire, White	211648-87	211648-87	211648-87	211648-87	211648-87
18	1	TB 2-2 Wire, Black	211648-88	211648-88	211648-88	211648-88	211648-88
19	1	TB 2-3 Wire, Green	211648-86	211648-86	211648-86	211648-86	211648-86

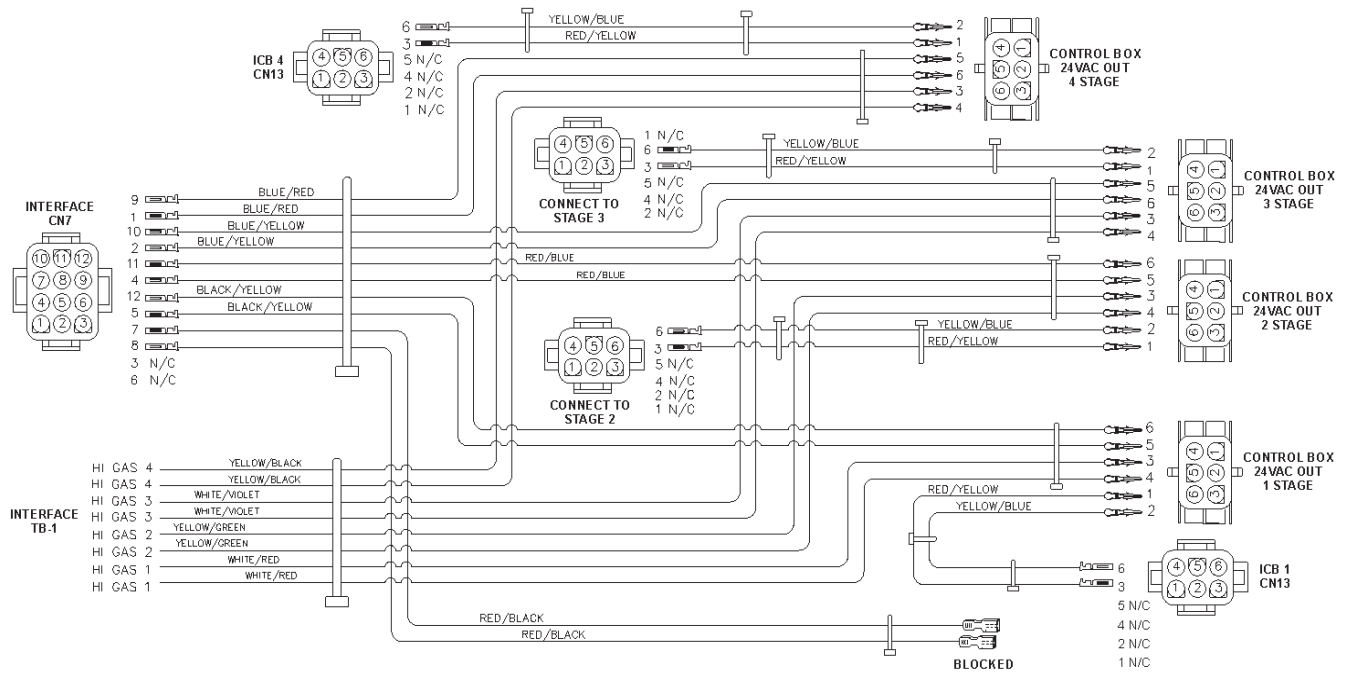
Note: * Items not illustrated.

INTERFACE BOARD

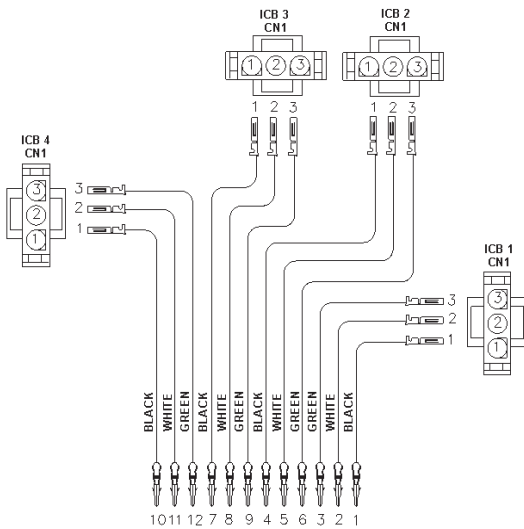


WIRING HARNESSES

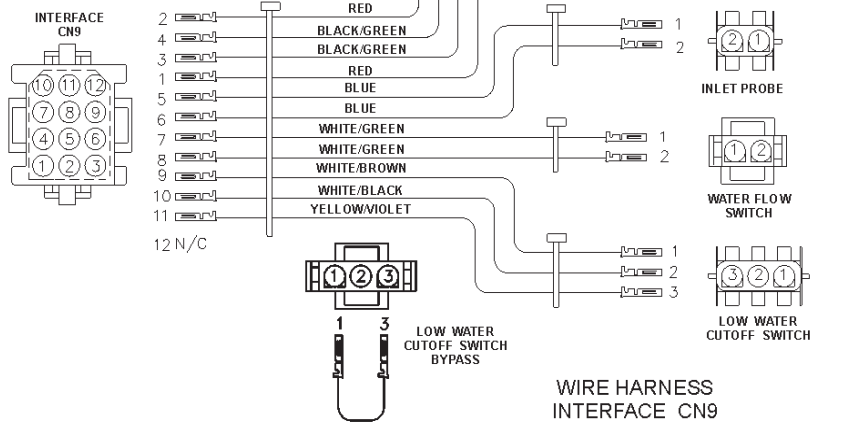




**WIRE HARNESS
INTERFACE CN7
211659, ITEM 7**



**WIRE HARNESS
INTERFACE CN2
211675, ITEM 2**



**WIRE HARNESS
INTERFACE CN9
211660, ITEM 9**

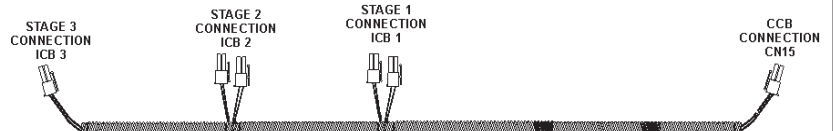


**GAS VALVE FAIL CONDUIT HARNESS ASSEMBLY
4 STAGE MODELS - ICB, CN15 & CN16**

**ALL UNITS
WIRE ASSEMBLY, LOW GAS SWITCH
211204-34**



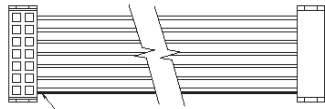
**4 STAGE ONLY TRANSFORMER
WIRE ASSEMBLY, JUMPER
211204-31, ITEM 4**



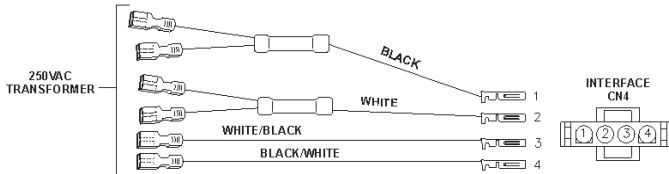
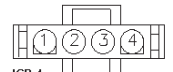
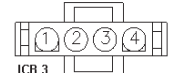
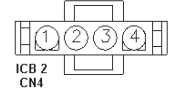
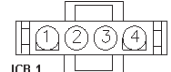
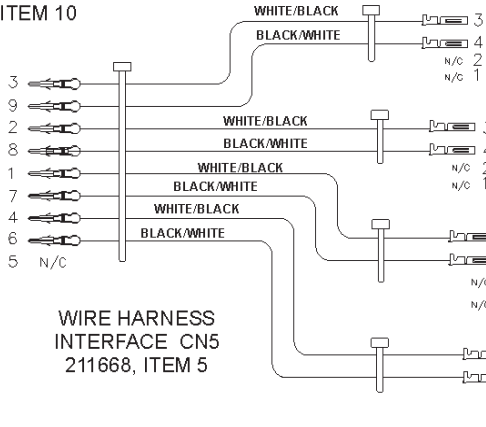
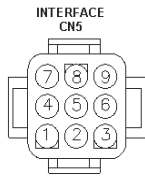
**GAS VALVE FAIL CONDUIT HARNESS ASSEMBLY
3 STAGE MODELS - ICB, CN15 & CN16
211219, ITEM 12**



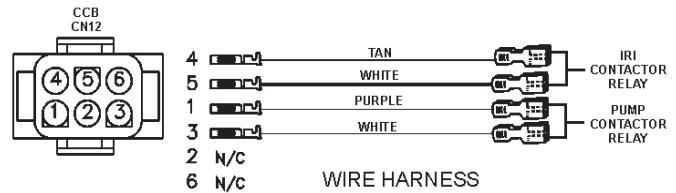
COMMUNICATION CABLE
ICB CN11 & CN12
211054 ITEM 10



DISPLAY CABLE
CCB CN04
211268 ITEM 4



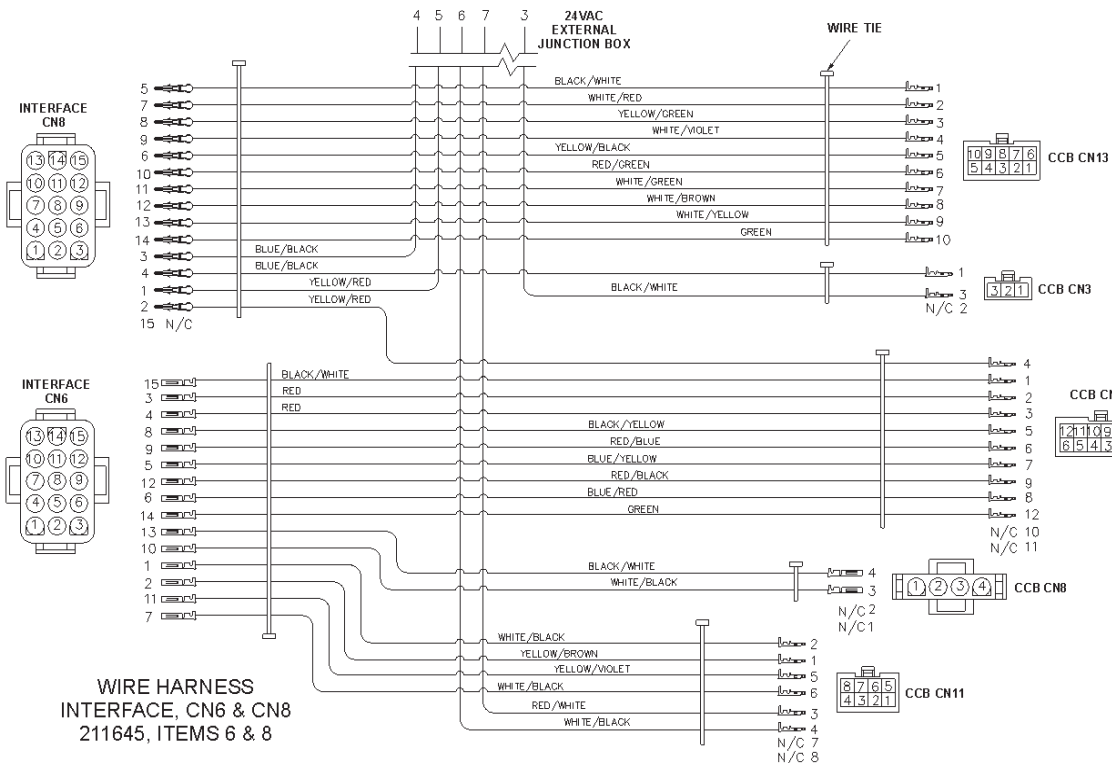
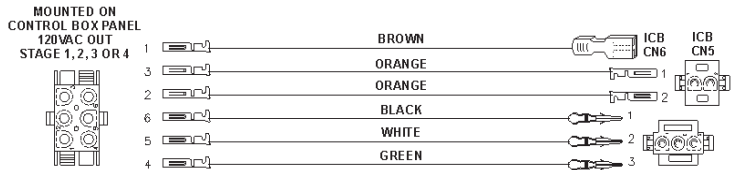
WIRE HARNESS 250VA TRANSFORMER
INTERFACE CN4 (4 STAGE MODELS)
211812, ITEM 4



WIRE HARNESS
INTERFACE CN10
211646, ITEM 10

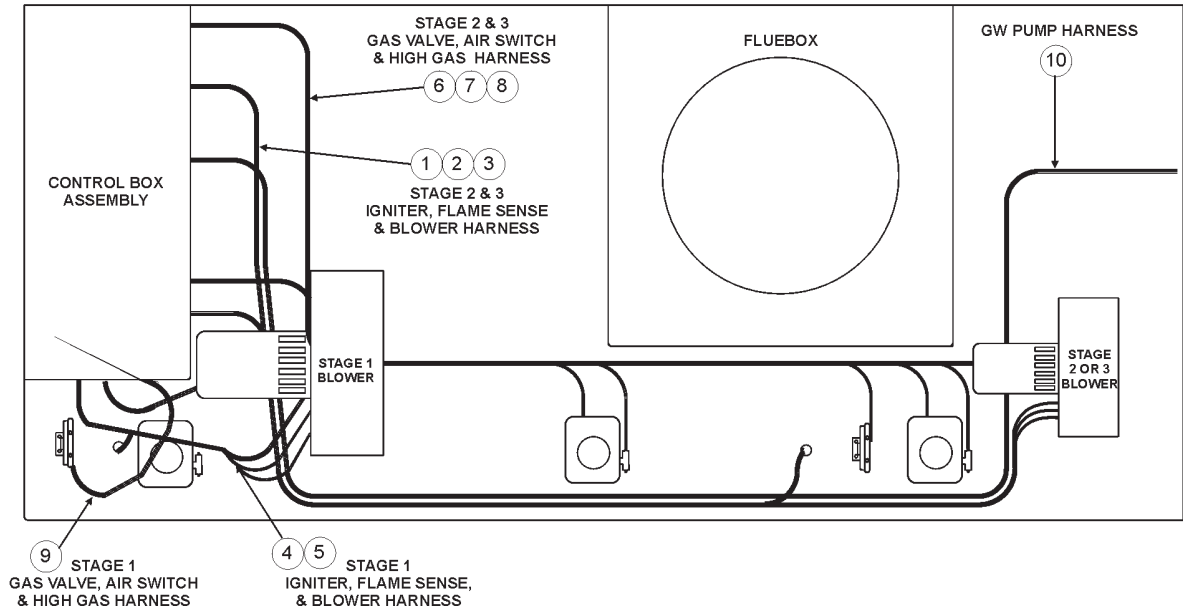


WIRE HARNESS
CCB CN2
211237, ITEM 2



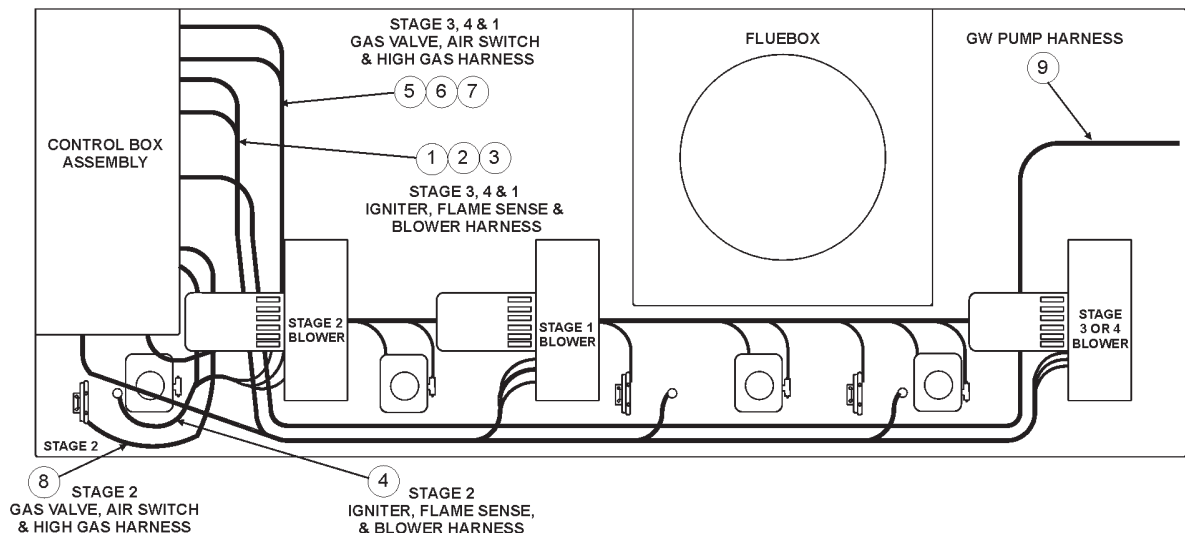
Item	Qty.	Description	GB 1000	GW 1000	GB 1300	GW 1300	GB 1500	GW 1500
1	1	120VAC Termination Assembly	211379	211379				
2	1	120VAC Termination Assembly			211378	211378		
3	1	120VAC Termination Assembly					211376	211376
4	1	120VAC Termination Assembly			211101	211101	211101	211101
5	1	120VAC Termination Assembly	211101-1	211101-1				
6	1	24VAC Termination Assembly	211380	211380				
7	1	24VAC Termination Assembly			211377	211377		
8	1	24VAC Termination Assembly					211375	211375
9	1	24VAC Termination Assembly	211100	211100	211100	211100	211100	211100
10	1	GW Pump Harness Assembly		211393		211393-1		211393-2

3 STAGE CONTROL SHELF WIRING HARNESSES



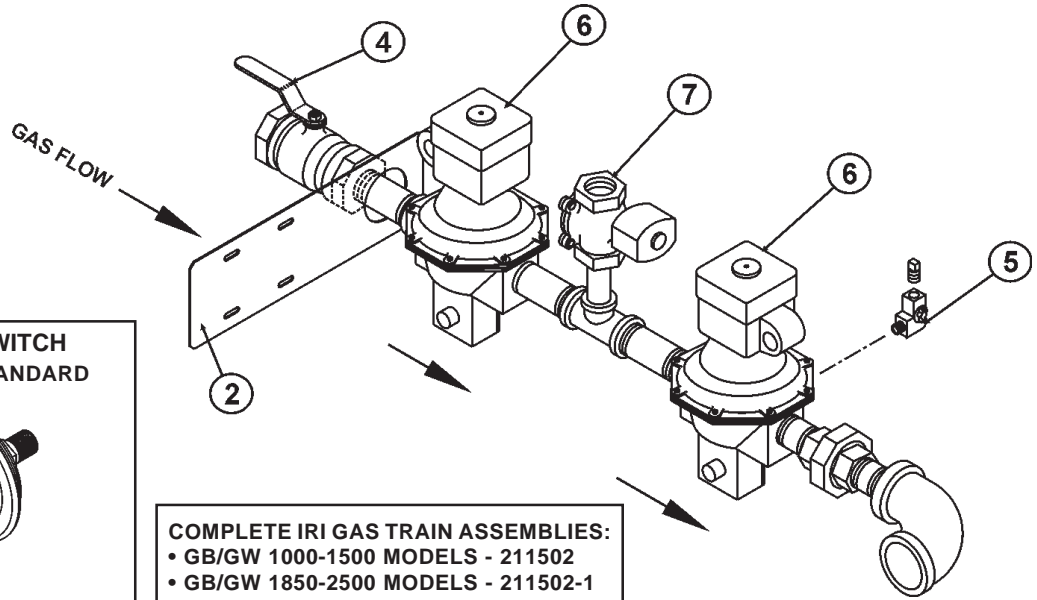
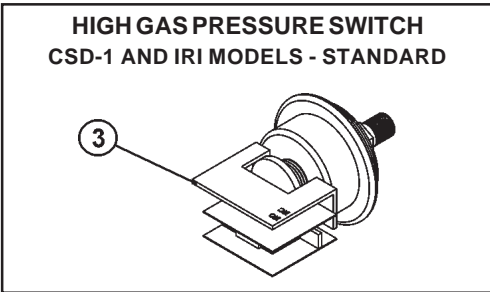
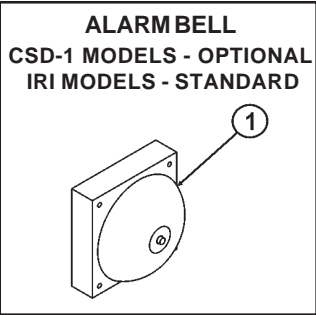
Item	Qty.	Description	GB 1850	GW 1850	GB 2100	GW 2100	GB 2500	GW 2500
1	1	120VAC Termination Assembly	211382	211382				
2	1	120VAC Termination Assembly			211385	211385		
3	1	120VAC Termination Assembly					211386	211386
4	1	120VAC Termination Assembly	211101	211101	211101	211101	211101	211101
5	1	24VAC Termination Assembly	211381	211381				
6	1	24VAC Termination Assembly			211387	211387		
7	1	24VAC Termination Assembly					211388	211388
8	1	24VAC Termination Assembly	211100	211100	211100	211100	211100	211100
9	1	GW Pump Harness Assembly		211393-3		211393-4		211393-5

4 STAGE CONTROL SHELF WIRING HARNESSES



IRI/CSD-1 COMPONENTS

IRI GAS TRAIN ASSEMBLY



COMPLETE IRI GAS TRAIN ASSEMBLIES:

- GB/GW 1000-1500 MODELS - 211502
- GB/GW 1850-2500 MODELS - 211502-1

Item	Qty.	Description	GB/GW 1000	GB/GW 1300	GB/GW 1500	GB/GW 1850	GB/GW 2100	GB/GW 2500
IRI/CSD-1 COMPONENTS:								
1	1	Alarm Bell	211472	211472	211472	211472	211472	211472
2	1	Bracket	211504	211504	211504	211504	211504	211504
3	()	High Pressure Switch - Natural	192527-1(3)	192527-1(3)	192527-1(3)	192527-1(4)	192527-1(5)	192527-1(7)
	()	High Pressure Switch - Propane	192527(3)	192527(3)	192527(3)	192527(4)	192527(5)	192527(7)
4	1	Main Manual Shut-Off	69022-2	69022-2	69022-2	69022-3	69022-3	69022-3
5	1	Pilot Shut-Off Valve	200683	200683	200683	200683	200683	200683
6	2	Safety Shut-Off Valve	211503	211503	211503	211503	211503	211503
7	1	Vent, Valve	210698-1	210698-1	210698-1	210698-2	210698-2	21698-2

Note: () Item quantity. * Items not illustrated.

CSD-1 and IRI Models substitute the following part numbers for the Gas Train Assemblies shown on pages 2-3:

- Item 11 substitute with 211082-2
- Item 12 substitute with 211082-3
- Item 13 substitute with 211081-2
- Item 14 substitute with 211081-3



A.O. SMITH
WATER PRODUCTS
COMPANY
PSD / Alsip, IL

A.O. SMITH WATER PRODUCTS COMPANY
5621 W. 115TH STREET • ALSIP, ILLINOIS 60803
Phone: 1-800-433-2545 • Fax: 1-800-433-2515
website: www.hotwater.com/parts • email: parts@hotwater.com