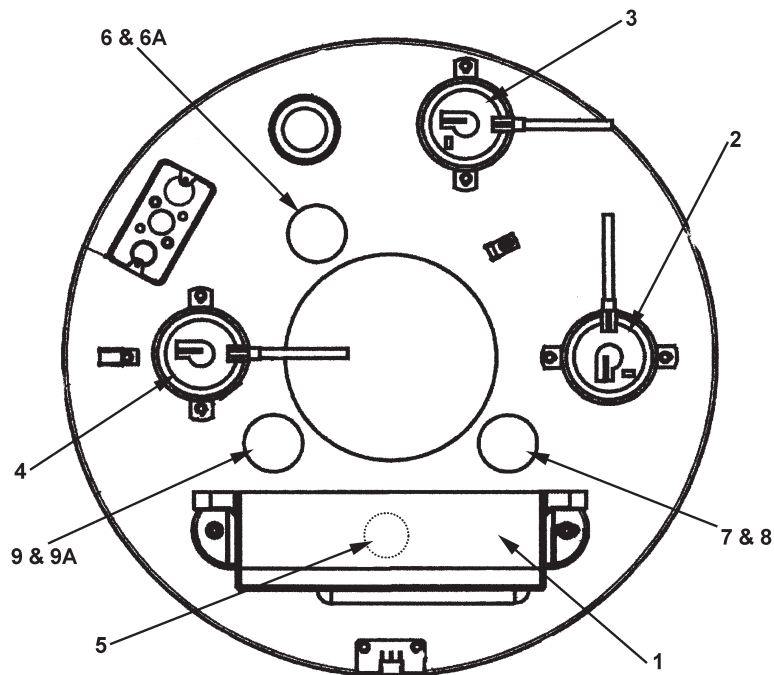


Item	Description	Kit Number
1	Display Board	9006412005
2	Power Switch	9005980205
3	Plastic Top	9005977205
4	Plastic Enclosure	9006413005
5	Display Label	9006415005
6	T&P Valve	9000728015
7	Drain Valve	9003906015
8	T&P Outlet Tube (Canadian Models Only)	700340-004

TOP COVER CONTROL ASSEMBLY

Item	Description	100/101 Series
1	Controller	9006417005
2	Switch-Blocked Outlet	9006282015
3	Switch-Blocked Inlet	9005972215
4	Switch-Fan Prover	9004586215
5	Upper Temperature Probe	9004238215
6	Anode - Alum.	9003892005
6A	Anode - Mag.	9001829005
7	Inlet Tube	9006422005
8	Outlet Nipple	9003936015
9	Anode - Outlet Alum.	9006659005
9A	Anode - Outlet Mag.	9004333005

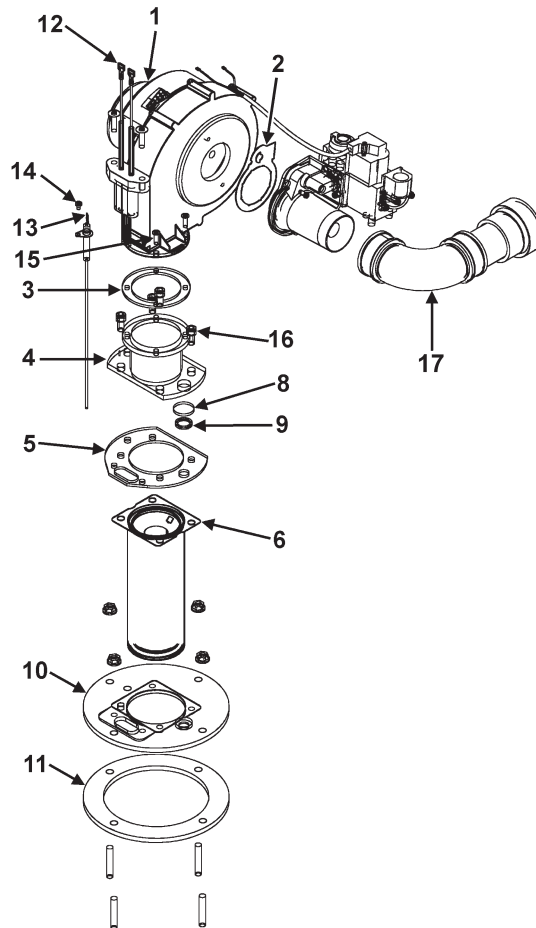
Standard hardware items may be purchased locally.



BLOWER/BURNER ASSEMBLY

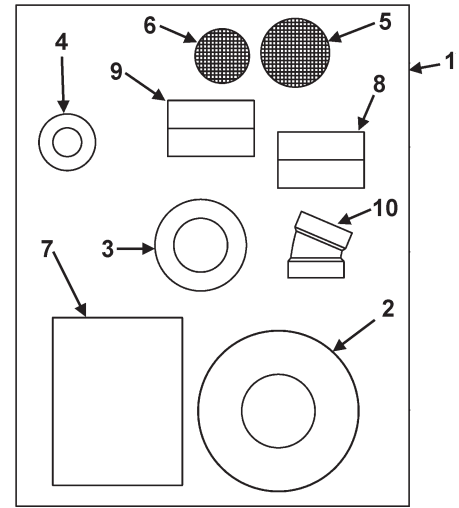
Item	Description	100 Series	101 Series
1	Blower	9006423005	9006423005
2	Venturi Gasket	197789-000	197789-000
3	Blower Gasket	197618-000	197618-000
4	Blower Adapter	197607-000	197607-000
5	Burner Gasket	197257-000	197257-000
6	Burner Assembly	9006424005	9006424005
7	Gas Valve/Venturi Assembly	9006425005	9006426005
8	Observation Window	9006102215	9006102215
9	Observation Window Gasket	9006103215	9006103215
10	Burner Flange	197611-000	197611-000
11	Burner Flange Gasket	194817-000	194817-000
12	Igniter	9006101205	9006101205
13	Flame Sensor Rod	9006106205	9006106205
14	Machine Screw*	191937-003	191937-003
15	Socket Buttonhead Cap Screw*	197615-000	197615-000
16	Socket Head Cap Screw*	192515-000	192515-000
17	Inlet Assembly	198107-000	198107-000

* Standard hardware items may be purchased locally.



ENVELOPE WITH PARTS

Item	Description	100/101 Series
1	Vent Kit with All Components	9006427005
1A	Vent Kit with All Components ULC S636 Certified	9006784005
2	Wall Plate 4"	Included in Kit
3	Wall Plate 3"	Included in Kit
4	Wall Plate 2"	Included in Kit
5	Wire Screen 4"	Included in Kit
6	Wire Screen 3"	Included in Kit
7	Intruaction Sheet	Included in Kit
8	Instruction Tag - Wire Screen f/e 4"	Included in Kit
9	Instruction Tag - Wire Screen f/e 3"	Included in Kit
10	Vent Terminal	Included in Kit



EXHAUST ELBOW ASSEMBLY

Item	Description	100/101 Series
1	Exhaust Elbow Assembly	9006428005
1A	Exhaust Elbow Assembly ULC S636 Certified	9006785005
2	Tee - 3/4" NPT	Included in Kit
3	Hose Adapter	Included in Kit
4	Hex Plug	Included in Kit
5	Hose Barb	Included in Kit

