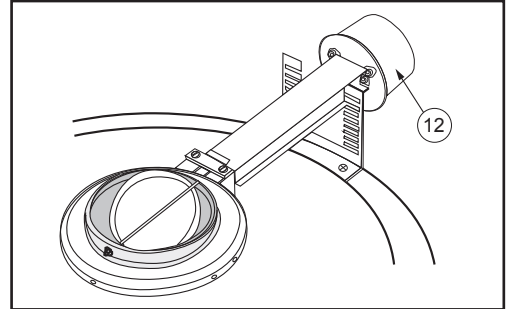
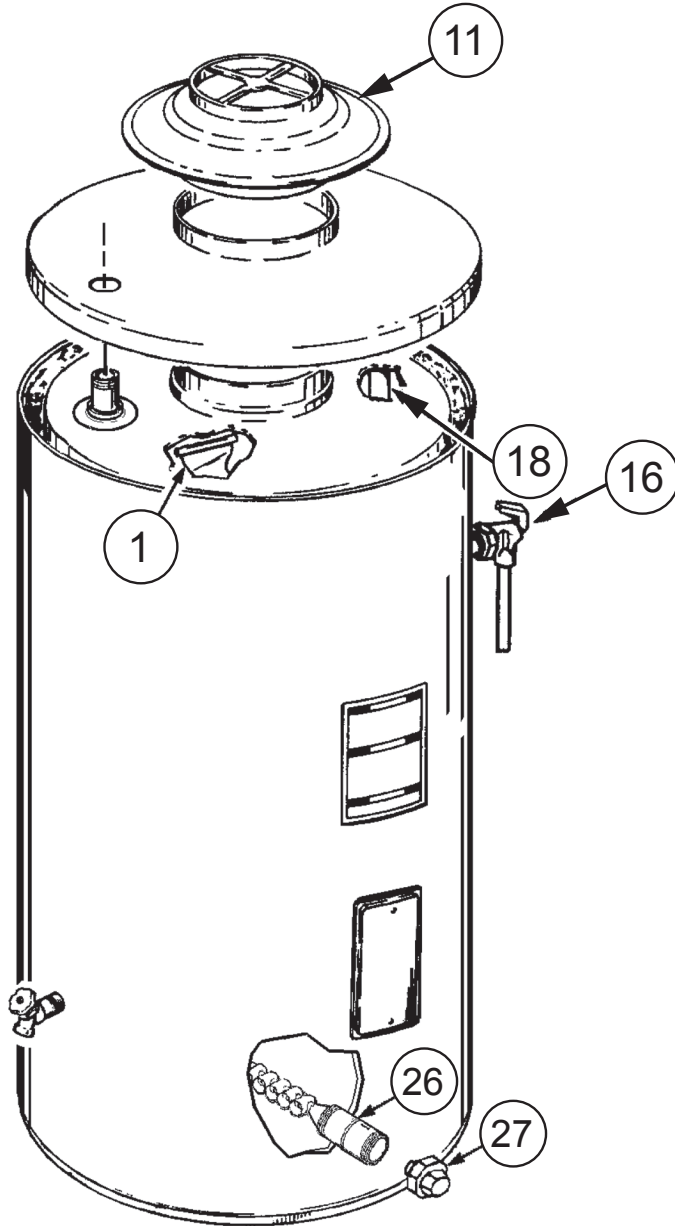
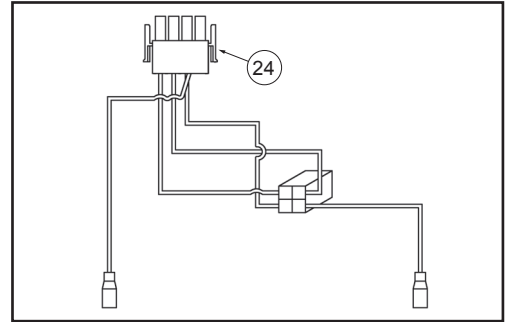


COMMERCIAL GAS WATER HEATER

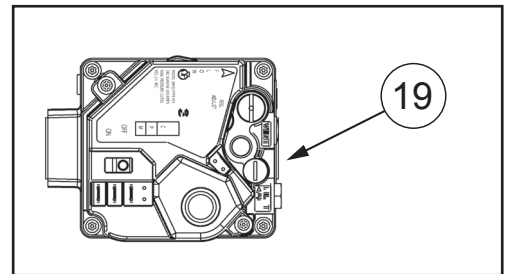
**MODELS 120 - 400(A)
CANADA MODELS 120 - 400(A)
STANDARD AND ASME (A)
SERIES 118/119**



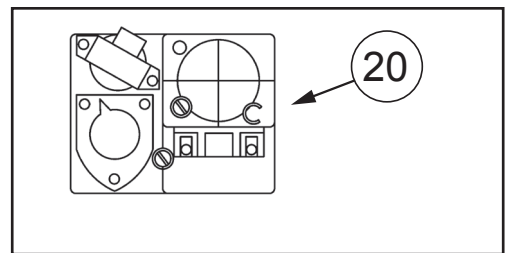
Damper Drive Assembly



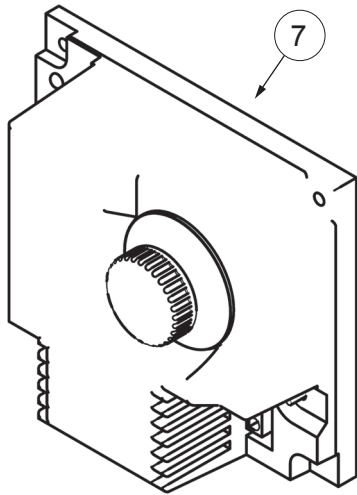
Harness Control



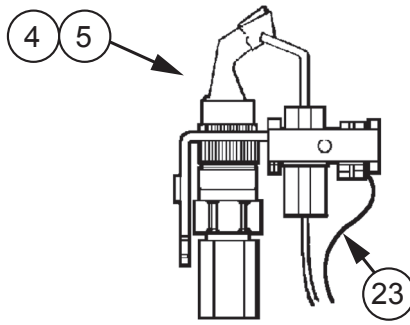
Gas Valve Natural



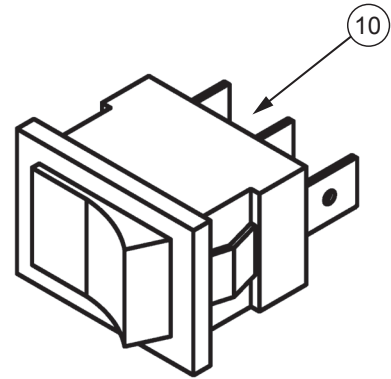
Gas Valve LP



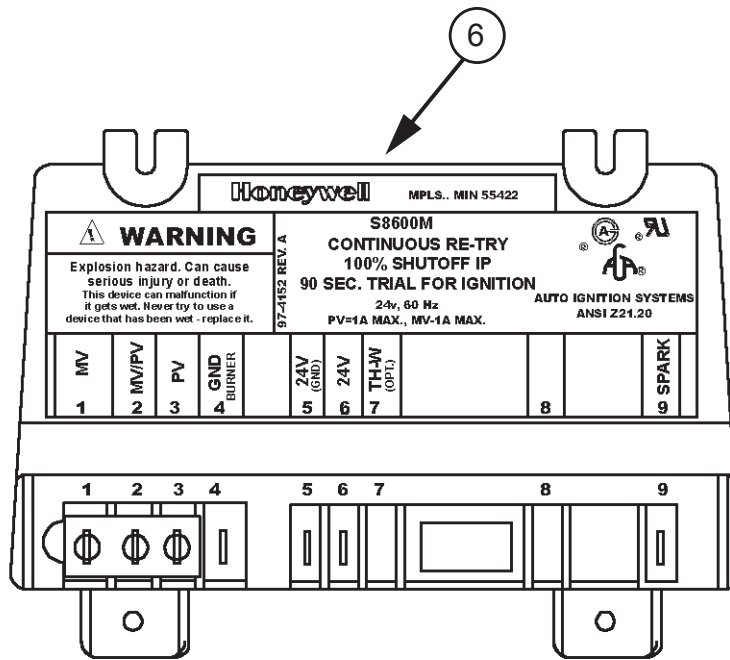
Control Thermostat



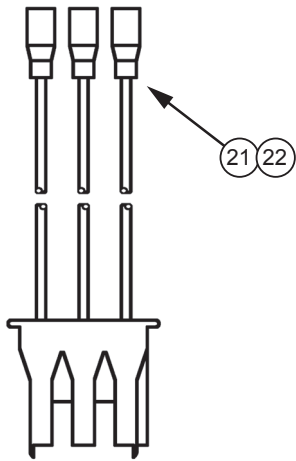
Pilot Burner



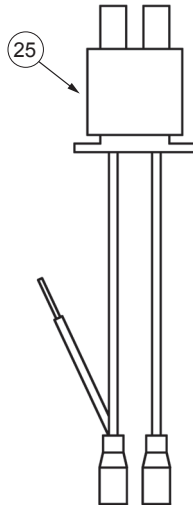
On Off Switch



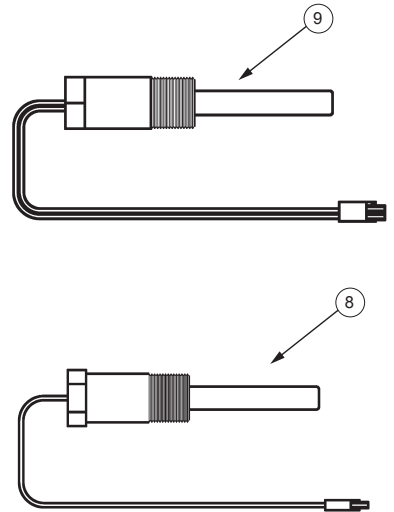
Honeywell Control Ignition Module



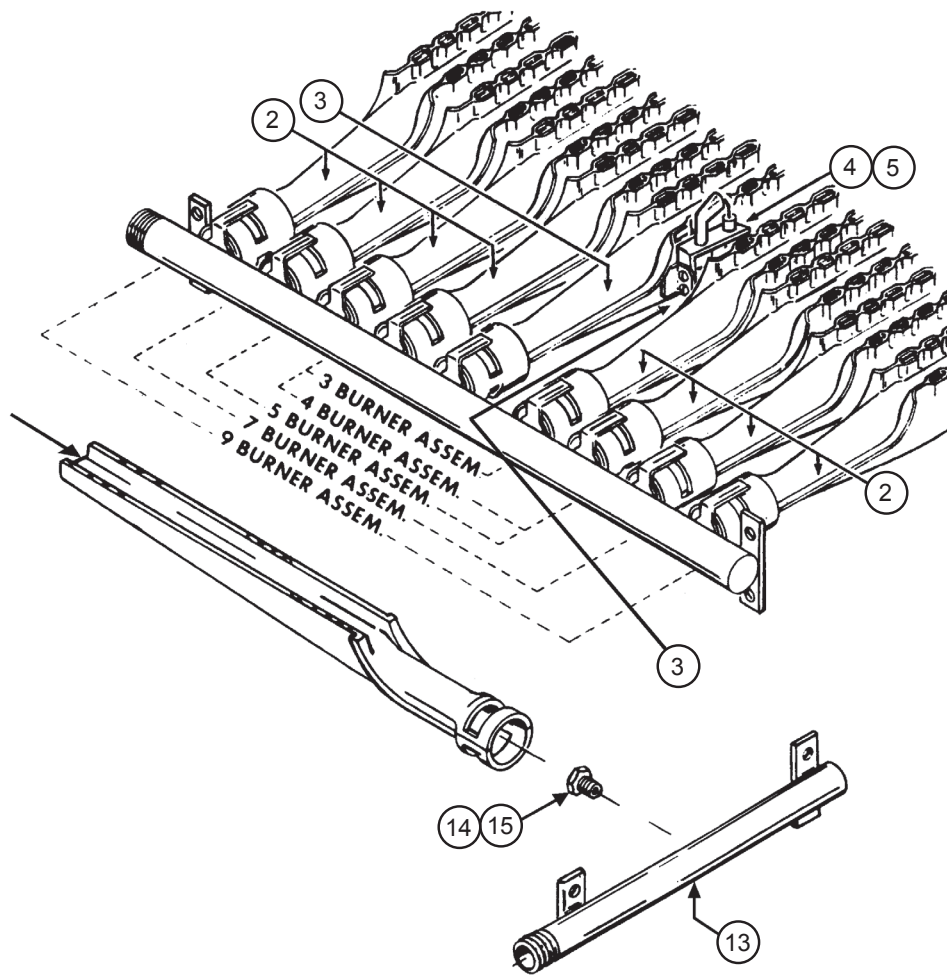
Harness-Gas Valve



Harness - Power



Upper and Lower Temperature Probe



Honeywell Control Ignition Module

Standard Version Parts List					
Item #	Description	120	154	180	197
1	Flue Baffle	100110380	100110377	100110676	100110381
2	Main Burner	100110704	100110704	100110704	100110704
3	Main Burner w/Pilot Bracket	100110382	100110382	100110382	100110382
4	Pilot Burner, Natural	100109926	100109926	100109926	100109926
5	Pilot Burner, LP	100109928	100109928	100109928	100109928
6	Control, Ignition Module	100109929	100109929	100109929	100109929
7	Control Thermostat	100109945	100109945	100109945	100109945
8	Lower Probe	100110850	100110850	100110850	100110850
9	Upper Probe	100110849	100110849	100110849	100110849
10	On/Off Switch	100110744	100110744	100110744	100110744
11	Drafthood	100110847	100110862	100110749	100110749
12	Damper Drive Assembly	100110799	100110799	100110799	100110799
13	Manifold	100110851	100110851	100110863	100110863
14	Main Burner Orifice - Natural	100027493	100027514	100110871	100027493
15	Main Burner Orifice - LP	100110711	100110873	100110876	100110711
16	T&P Relief Valve	100110714	100110714	100110714	100110739
17	Pilot Tubing	100109617	100109617	100109617	100109617
18	Inlet Tube	100110848	100110846	100110848	100110846
19	Gas Valve - Natural	100110857	100110857	100110857	100110857
20	Gas Valve - LP	100110861	100110861	100110861	100110861
21	Harness-Gas Valve Natural	100110858	100110858	100110858	100110858
22	Harness - Gas Valve LP	100110868	100110868	100110868	100110868
23	Ground Wire	100110199	100110199	100110199	100110199
24	Harness - Control	100110859	100110859	100110859	100110859
25	Harness - Power	100110860	100110860	100110860	100110860
26	The Eliminator	100110853	100110853	100110852	100110852
27	Galvanized Pipe Union, 1-1/2"	100110855	100110855	100110855	100110855

ASME Version Parts List					
Item #	Description	Canada Model 120	Canada Model 154	Canada Model 180	Canada Model 197
1	Flue Baffle	100110380	100110377	100110878	100110381
2	Main Burner	100110704	100110704	100110704	100110704
3	Main Burner w/Pilot Bracket	100110382	100110382	100110382	100110382
4	Pilot Burner, Natural	100109926	100109926	100109926	100109926
5	Pilot Burner, LP	100109928	100109928	100109928	100109928
6	Control, Ignition Module	100109929	100109929	100109929	100109929
7	Control Thermostat	100109945	100109945	100109945	100109945
8	Lower Probe	100110850	100110850	100110850	100110850
9	Upper Probe	100110849	100110849	100110849	100110849
10	On/Off Switch	100110744	100110744	100110744	100110744
11	Draffhood	100110847	100110862	100110862	100110862
12	Damper Drive Assembly	100110799	100110799	100110799	100110799
13	Manifold	100110851	100110851	100110863	100110863
14	Main Burner Orifice - Natural	100027493	100027514	100110871	100027493
15	Main Burner Orifice - LP	100110711	100110873	100110876	100110711
16	T&P Relief Valve	100110714	100110714	100110714	100110714
17	Pilot Tubing	100109617	100109617	100109617	100109617
18	Inlet Tube	100110848	100110846	100110848	100110846
19	Gas Valve - Natural	100110857	100110857	100110857	100110857
20	Gas Valve - LP	100110861	100110861	100110861	100110861
21	Harness-Gas Valve Natural	100110858	100110858	100110858	100110858
22	Harness - Gas Valve LP	100110868	100110868	100110868	100110868
23	Ground Wire	100110199	100110199	100110199	100110199
24	Harness - Control	100110859	100110859	100110859	100110859
25	Harness - Power	100110860	100110860	100110860	100110860
26	The Eliminator	100110853	100110853	100110852	100110852
27	Galvanized Pipe Union, 1-1/2"	100110855	100110855	100110855	100110855

Standard Version Parts List					
Item #	Description	199	200/A	250/A	251/A
1	Flue Baffle	100110676	100110384	100110380	100110380
2	Main Burner	100110704	100110704	100110704	100110704
3	Main Burner w/Pilot Bracket	100110382	100110382	100110382	100110382
4	Pilot Burner, Natural	100109926	100109926	100109926	100109926
5	Pilot Burner, LP	100109928	100109928	100109928	100109928
6	Control, Ignition Module	100109929	100109929	100109929	100109929
7	Control Thermostat	100109945	100109945	100109945	100109945
8	Lower Probe	100110850	100110850	100110850	100110850
9	Upper Probe	100110849	100110849	100110849	100110849
10	On/Off Switch	100110744	100110744	100110744	100110744
11	Drafthood	100110749	100110749	100110741	100110741
12	Damper Drive Assembly	100110799	100110799	100110800	100110800
13	Manifold	100110863	100110863	100110863	100110864
14	Main Burner Orifice - Natural	100027493	100027493	100027491	100110870
15	Main Burner Orifice - LP	100110711	100110711	100110873	100110876
16	T&P Relief Valve	100110714	100110714	100110719	100110719
17	Pilot Tubing	100109617	100109617	100109617	100109617
18	Inlet Tube	100110848	100110848	100110846	NA
19	Gas Valve - Natural	100110857	100110857	100110857	100110857
20	Gas Valve - LP	100110861	100110861	100110861	100110861
21	Harness-Gas Valve Natural	100110858	100110858	100110858	100110858
22	Harness - Gas Valve LP	100110868	100110868	100110868	100110868
23	Ground Wire	100110199	100110199	100110199	100110199
24	Harness - Control	100110859	100110859	100110859	100110859
25	Harness - Power	100110860	100110860	100110860	100110860
26	The Eliminator	100110852	100110856	100110856	100110854
27	Galvanized Pipe Union, 1-1/2"	100110855	100110866	100110866	100110855

ASME Version Parts List					
Item #	Description	Canada Model 199	Canada Model 200/A	Canada Model 250/A	Canada Model 251/A
1	Flue Baffle	100110878	100110384	100110380	100110380
2	Main Burner	100110704	100110704	100110704	100110704
3	Main Burner w/Pilot Bracket	100110382	100110382	100110382	100110382
4	Pilot Burner, Natural	100109926	100109926	100109926	100109926
5	Pilot Burner, LP	100109928	100109928	100109928	100109928
6	Control, Ignition Module	100109929	100109929	100109929	100109929
7	Control Thermostat	100109945	100109945	100109945	100109945
8	Lower Probe	100110850	100110850	100110850	100110850
9	Upper Probe	100110849	100110849	100110849	100110849
10	On/Off Switch	100110744	100110744	100110744	100110744
11	Draffhood	100110862	100110749	100110741	100110741
12	Damper Drive Assembly	100110799	100110799	100110800	100110800
13	Manifold	100110863	100110863	100110863	100110864
14	Main Burner Orifice - Natural	100027493	100027493	100027491	100110870
15	Main Burner Orifice - LP	100110711	100110711	100110873	100110876
16	T&P Relief Valve	100110714	100110714	100110719	100110719
17	Pilot Tubing	100109617	100109617	100109617	100109617
18	Inlet Tube	100110848	100110848	100110846	NA
19	Gas Valve - Natural	100110857	100110857	100110857	100110857
20	Gas Valve - LP	100110861	100110861	100110861	100110861
21	Harness - Gas Valve Natural	100110858	100110858	100110858	100110858
22	Harness - Gas Valve LP	100110868	100110868	100110868	100110868
23	Ground Wire	100110199	100110199	100110199	100110199
24	Harness - Control	100110859	100110859	100110859	100110859
25	Harness - Power	100110860	100110860	100110860	100110860
26	The Eliminator	100110853	100110856	100110856	100110854
27	Galvanized Pipe Union, 1-1/2"	100110855	100110866	100110866	100110855

Standard Version Parts List					
Item #	Description	275/A	305/A	365/A	400/A
1	Flue Baffle	100110303	100110380	100110381	100110385
2	Main Burner	100110704	100110728	100110704	100110728
3	Main Burner w/Pilot Bracket	100110382	100110382	100110382	100110382
4	Pilot Burner, Natural	100109926	100109926	100109926	100109926
5	Pilot Burner, LP	100109928	100109928	100109928	100109928
6	Control, Ignition Module	100109929	100109929	100109929	100109929
7	Control Thermostat	100109945	100109945	100109945	100109945
8	Lower Probe	100110850	100110850	100110850	100110850
9	Upper Probe	100110849	100110849	100110849	100110849
10	On/Off Switch	100110744	100110744	100110744	100110744
11	Drafthood	100110741	100110741	100110741	100110741
12	Damper Drive Assembly	100110800	100110800	100110800	100110800
13	Manifold	100110863	100110864	100110865	100110865
14	Main Burner Orifice - Natural	100110869	100027492	100027493	100027492
15	Main Burner Orifice - LP	100110872	100027506	100110711	100110875
16	T&P Relief Valve	100110719	100110719	100110719	100110719
17	Pilot Tubing	100109617	100109617	100109617	100109617
18	Inlet Tube	100110846	N/A	100110846	100110846
19	Gas Valve - Natural	100110857	100110867	100110867	100110867
20	Gas Valve - LP	100110861	100109915	100109915	100109915
21	Harness-Gas Valve Natural	100110858	100110858	100110858	100110858
22	Harness - Gas Valve LP	100110868	100110868	100110868	100110868
23	Ground Wire	100110199	100110199	100110199	100110199
24	Harness - Control	100110859	100110859	100110859	100110859
25	Harness - Power	100110860	100110860	100110860	100110860
26	The Eliminator	100110856	100110854	100110852	100110856
27	Galvanized Pipe Union, 1-1/2"	100110866	100110855	100110855	100110866

ASME Version Parts List

Item #	Description	Canada Model 275/A	Canada Model 305/A	Canada Model 365/A	Canada Model 400/A
1	Flue Baffle	100110303	100110380	100110303	100110385
2	Main Burner	100110704	100110728	100110704	100110728
3	Main Burner w/Pilot Bracket	100110382	100110382	100110382	100110382
4	Pilot Burner, Natural	100109926	100109926	100109926	100109926
5	Pilot Burner, LP	100109928	100109928	100109928	100109928
6	Control, Ignition Module	100109929	100109929	100109929	100109929
7	Control Thermostat	100109945	100109945	100109945	100109945
8	Lower Probe	100110850	100110850	100110850	100110850
9	Upper Probe	100110849	100110849	100110849	100110849
10	On/Off Switch	100110744	100110744	100110744	100110744
11	Draffhood	100110741	100110741	100110741	100110741
12	Damper Drive Assembly	100110800	100110800	100110800	100110800
13	Manifold	100110863	100110864	100110865	100110865
14	Main Burner Orifice - Natural	100110869	100027492	100027493	100027492
15	Main Burner Orifice - LP	100110872	100027506	100110711	100110875
16	T&P Relief Valve	100110719	100110719	100110719	100110719
17	Pilot Tubing	100109617	100109617	100109617	100109617
18	Inlet Tube	100110846	N/A	N/A	100110846
19	Gas Valve - Natural	100110857	100110867	100110867	100110867
20	Gas Valve - LP	100110861	100109915	100109915	100109915
21	Harness-Gas Valve Natural	100110858	100110858	100110858	100110858
22	Harness - Gas Valve LP	100110868	100110868	100110868	100110868
23	Ground Wire	100110199	100110199	100110199	100110199
24	Harness - Control	100110859	100110859	100110859	100110859
25	Harness - Power	100110860	100110860	100110860	100110860
26	The Eliminator	100110856	100110854	100110854	100110856
27	Galvanized Pipe Union, 1-1/2"	100110866	100110855	100110855	100110866

