

A.O. Smith

Water Heaters

GAS

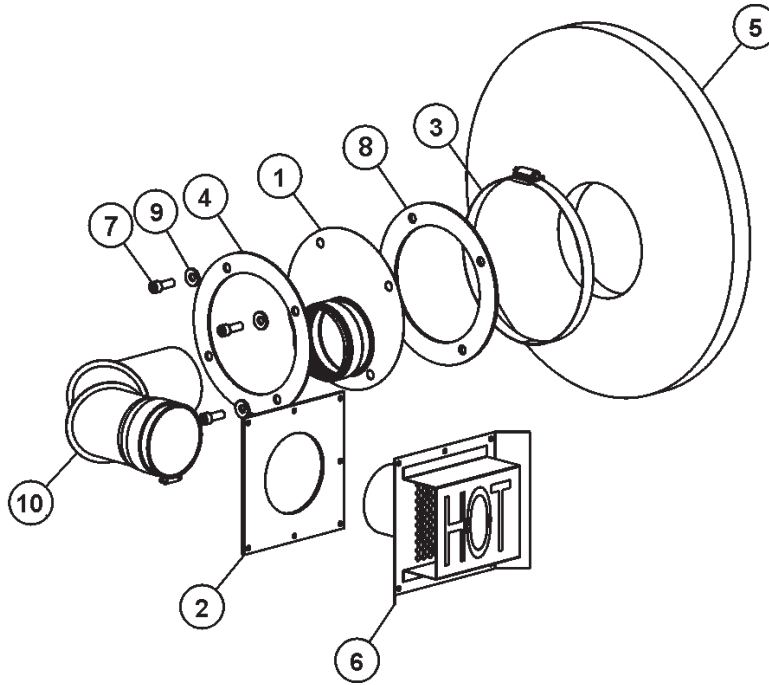
COMMERCIAL WATER HEATER PARTS LIST
MODEL RTF-120
SERIES 104



A.O. SMITH WATER PRODUCTS COMPANY
500 TENNESSEE WALTZ PARKWAY, ASHLAND CITY, TN 37015
PHONE: 1-800-433-2545 • FAX: 1-800-433-2515
Website: www.aosmithwaterheaters.com

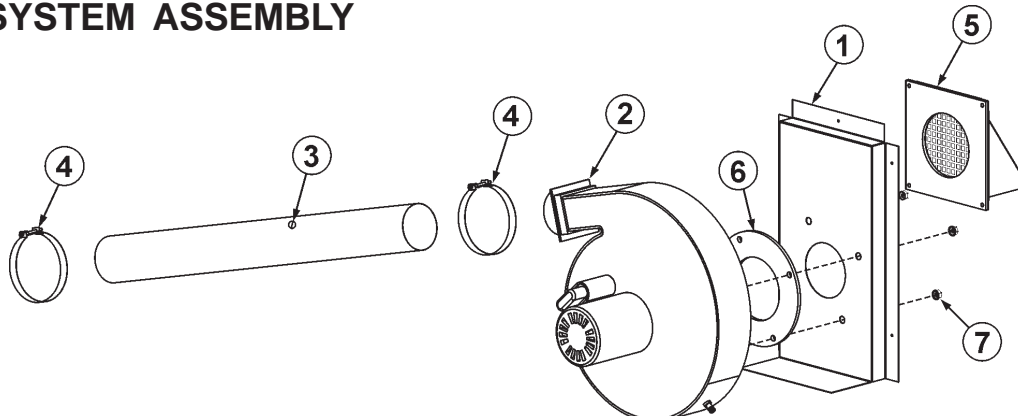
Item	Qty.	Description	Part Number
1	1	Transition Pipe Assembly	196499-000
2	2	Vent Terminal Gasket	196496-000
3	1	Clamp - Hose	196813-000
4	1	Reinforcement Ring	196505-000
5	1	Insulation - Flue Extension	196513-000
6	1	Exhaust Vent Terminal Assembly	196891-000
7	4	Screw - Socket Head Cap	192515-002
8	1	Gasket	192331-000
9	4	Washer	196153-000
10	1	Elbow - Vent, 90 Degree	196892-000

EXHAUST SYSTEM ASSEMBLY



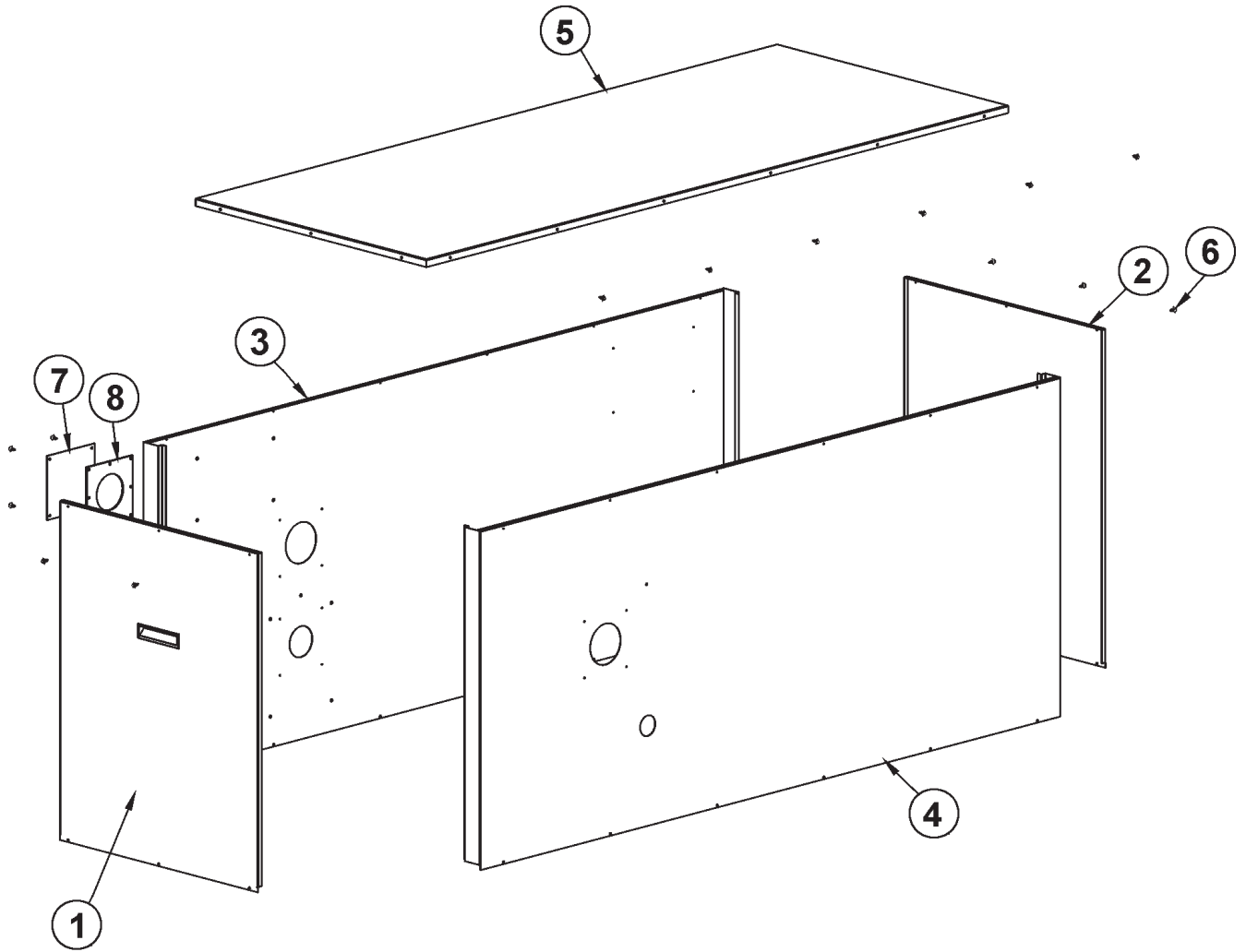
Item	Qty.	Description	Part Number
1	1	Blower Plenum	196490-000
2	1	Blower Assembly	196491-000
3	1	Tube - Air	192469-024
4	2	Clamp - 3"	192696-000
5	1	Air Intake Assembly	196492-000
6	1	Gasket - Intake Side	193883-000
7	4	Nut - Kep 1/4"-20 UNC	191763-000

AIR SYSTEM ASSEMBLY

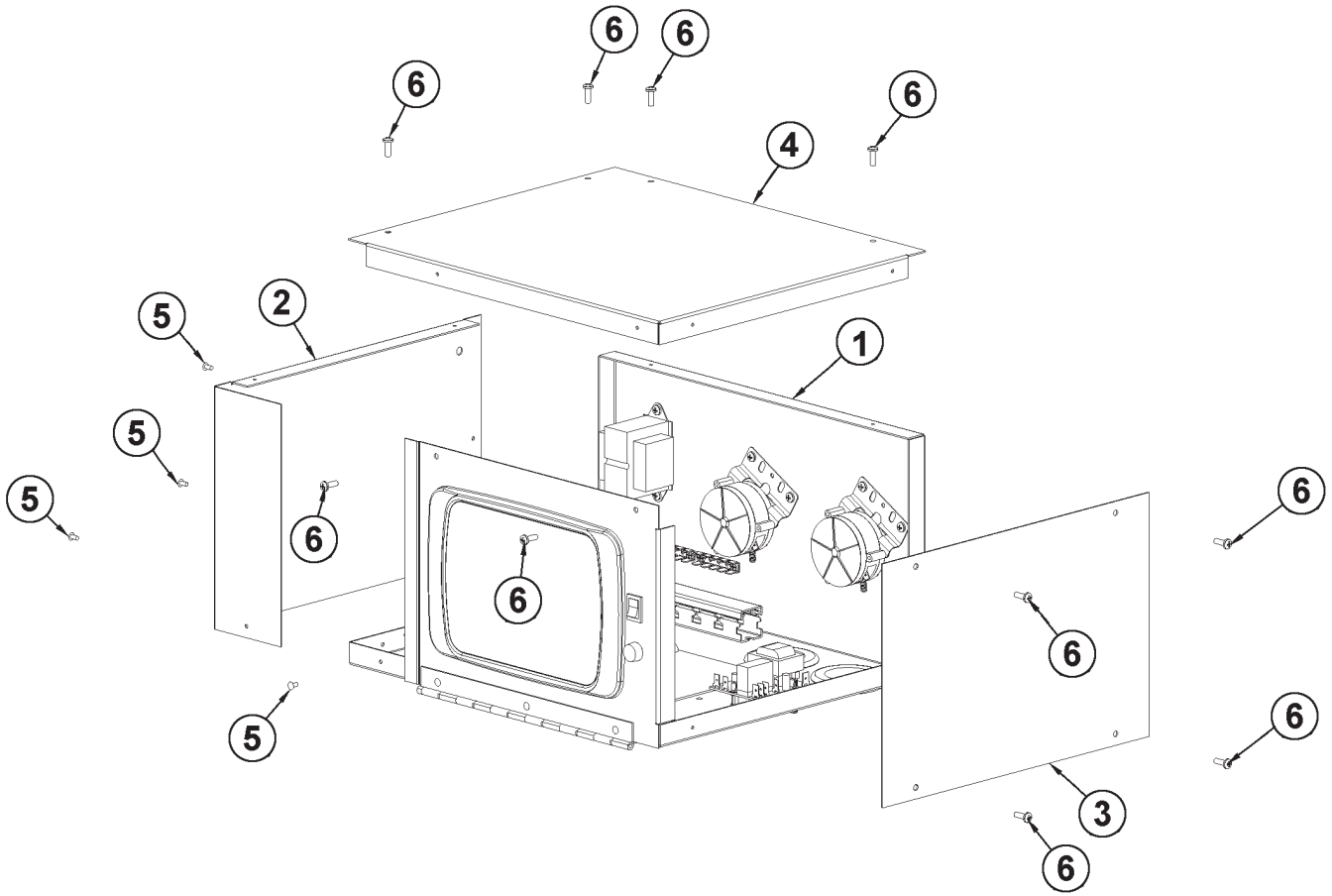


Item	Qty.	Description	Part Number
1	1	Front Door Assembly	196861-000
2	1	Back Door Panel	196862-000
3	1	Side Panel - Left	196863-000
4	1	Side Panel - Right	196864-000
5	1	Cover - Top, Equinox	196815-000
6	22	Screw - Self Sealing, #8-18	210125-000
7	1	Coverplate - Exhaust	196914-000
8	1	Vent Terminal Gasket	196496-000

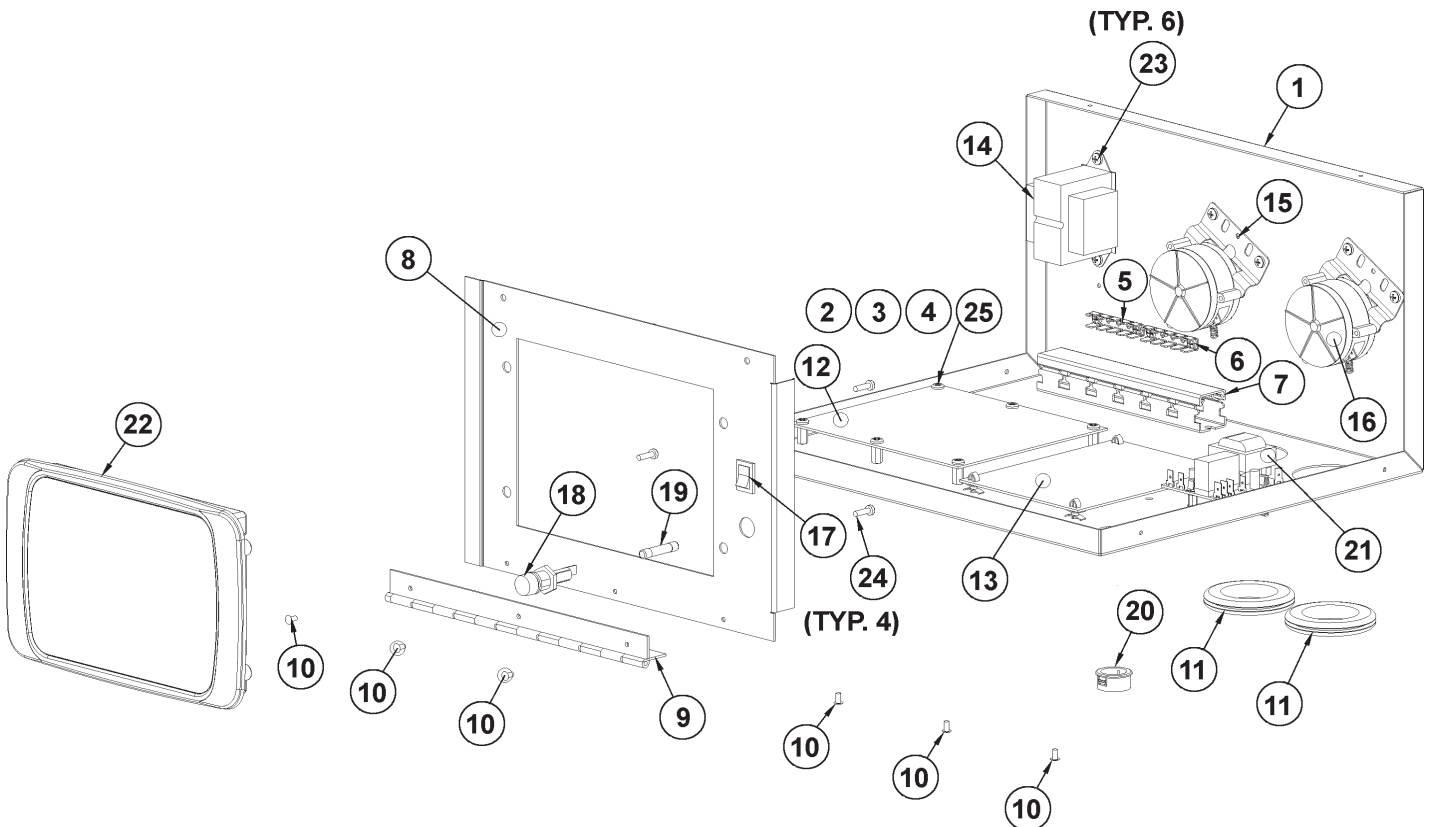
CABINET ASSEMBLY



CONTROL ASSEMBLY



CONTROL ASSEMBLY - BOTTOM PANEL



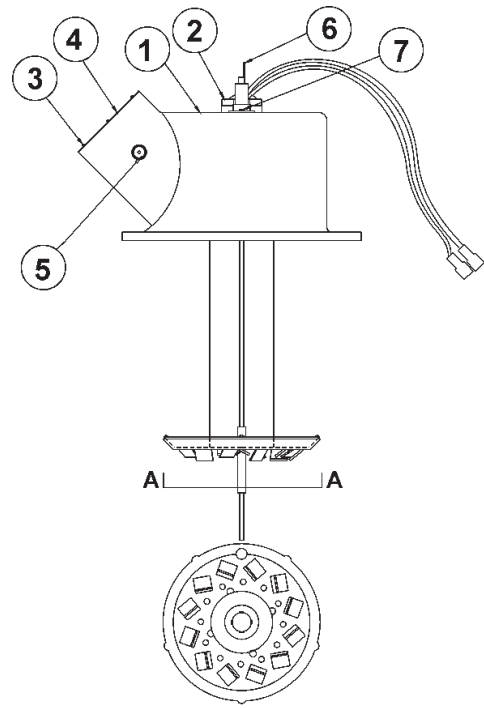
Item	Qty.	Description	Part Number
CONTROL ASSEMBLY			
1	1	Bottom Panel Assembly - Controls Enclosure	196984-000
2	1	Panels - Controls Enclosure, Left Side	196979-000
3	1	Panels - Controls Assembly, Right Side	196982-000
4	1	Panel - Controls Assembly, Top	196980-000
5	4	Rivet	068461-004
6	10	Screw-Self Threading	181626-000

Item	Qty.	Description	Part Number
CONTROL ASSEMBLY - BOTTOM PANEL			
1	1	Panels-Controls Enclosure, Bottom Back	196981-000
2	6	Standoff - Male/Female Threaded	196671-001
3	6	Washer-Lock	003347-001
4	6	Nut-Hexhead, #8-32 UNC	041284-001
5	2	Terminal-Quick-fit	196683-000
6	4	Screw-Thread Forming	182487-000
7	1	Slotted Wire Duct	212448-006
8	1	Panel - Controls Enclosure, Front	196983-000
9	1	Hinge - Piano	210275-005
10	6	Rivet	068461-004
11	2	Grommet	196635-000
12	1	I/O Board Equinox	196589-000
13	1	Ignition Control Board Equinox	196586-000
14	1	Transformer - 120/24 Vac, 40 VA	196765-000
15	1	Pressure Switch - Air N.O. + 1.32" W.C.	196572-000
16	1	Pressure Switch - Air N.C. + 1.32" W.C.	196571-000
17	1	Switch - On/Off	193243-000
18	1	Fuse Holder	196749-000
19	1	Fuse - 8A, 250V, 1/4" - 1 1/4"	196835-000
20	1	Bushing - Snap	098863-000
21	1	Low Water Cutoff Board	196590-000
22	1	Module - User Interface - Equinox	196594-000
23	6	Screw - Self Threading	181626-000
24	4	Screw - Thread Forming	182487-001
25	6	Machine Screw	191937-003

Item	Qty.	Description	Part Number
------	------	-------------	-------------

1	1	Burner Assembly	196162-001
2	1	Ignitor Assembly	192638-000
3	3	Screw-Slotted Hex Sheet Metal - #6-3/8"	194113-000
4	1	Air Restrictor	192450-006
5	1	Barb - Hose	192800-001
6	1	Flame Rod Assembly	192478-000
7	2	Screw (Sheet Metal)	039051-001

BURNER ASSEMBLY



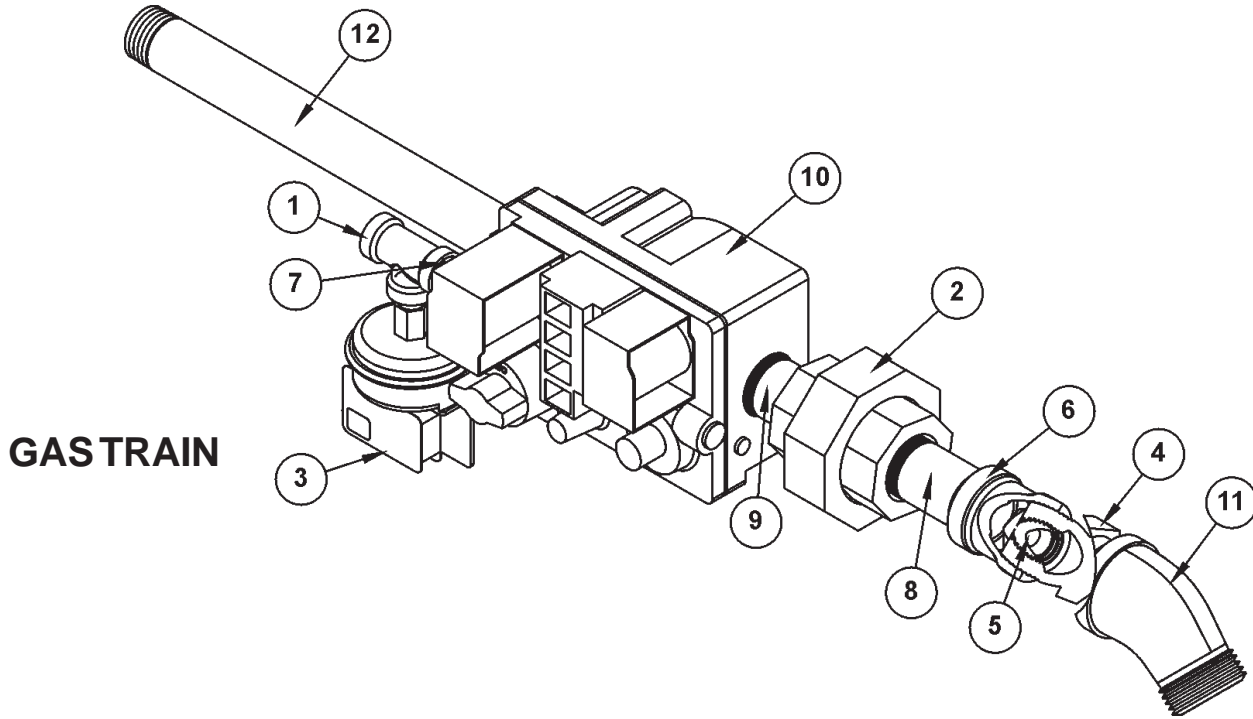
VIEW A-A

LABEL SET

ADDITIONAL PARTS

Part Name	Qty.	Part Number	Part Name	Qty.	Part Number
Envelope - Plastic	1	041926-000	T & P Valve	1	099465-007
Gas Tag	1	183305-000	Pressure Switch Tubing	59"	210209-059
Instruction Manual	1	197240-000	Pipe Grommet	1	196520-000
Label - Air Intake	1	196614-000	Pipe Grommet w/Studs	1	196521-000
Label - ASHRAE Standard	1	160659-001	Pipe Grommet	1	196599-000
Label - Boiler Water Warning	1	192919-000	Wiring Harness	1	197002-000
Label - Caution	1	196621-000	Conduit Clamp for Remote Wiring	1	196752-000
Label - Combination	1	196618-000	Upper Probe	1	196699-000
Label - Dip Tube Orientation Outlet	1	197239-000	Lower Probe	1	196700-000
Label - Dip Tube Orientation Inlet	1	197239-001	Control Box Support Bracket	1	196750-000
Label - Equinox Nameplate	1	196609-000	Junction Box	1	068595-000
Label - Exhaust	1	196613-000	Cover, Junction Box	1	002233-000
Label - Flammable Vapors	1	183301-000	Snap Bushing	5	098863-000
Label - FTC (Shipping)	1	183731-000	Cable Tie Mount	6	211238-000
Label - Gas Supply	1	196611-000	Clip Retainer	10	092979-000
Label - "HOT" Label	2	196647-000	Screw-Special #8 Sems	10	097930-000
Label - Hot Return	2	196617-000	Gas Valve Bracket	1	197000-000
Label - Inlet	2	094518-000			
Label - L&O	1	196620-000			
Label - Outlet	2	094519-000			
Label - Relief Valve	1	191068-000			
Label - T&P	2	098987-000			
Label - UL Sanitation	1	194940-000			
Label - 800 Help Line	1	190600-000			
Label - Power In	1	196610-000			
Label - Wiring Diagram	1	196894-000			
Replacement Parts List	1	197241-000			

Item	Qty.	Description	Part Number
1	1	Tee - 1/8" NPT	040119-000
2	1	Union - Pipe, 3/4"	095515-000
3	1	Switch - Low Gas Pressure	191149-006
4	1	Orifice Holder	192447-000
5	1	Orifice	192477-003
6	1	Coupling - 3/4" NPT (Black Iron)	196532-000
7	1	Nipple - Pipe, 1/8"	192948-000
8	1	Nipple - Pipe, 3/4" (2" Long)	194921-000
9	1	Nipple - Pipe, 3/4" (1.48" Long)	194921-005
10	1	Valve - Gas	196632-000
11	1	Elbow - 45 Degree 3/4" NPT, Street	196531-000
12	1	Nipple - Pipe, 1/2" (8" long)	002251-014

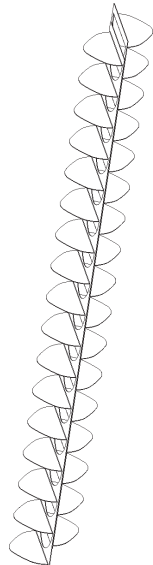


Item	Qty.	Description	Part Number
------	------	-------------	-------------

FLUE BAFFLE ASSEMBLY:

1	1	Flue Baffle	196515-000
---	---	-------------	------------

FLUE BAFFLE ASSEMBLY

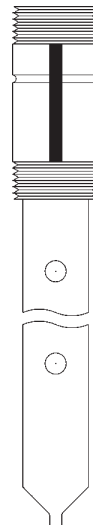


Item	Qty.	Description	Part Number
------	------	-------------	-------------

DIP TUBE:

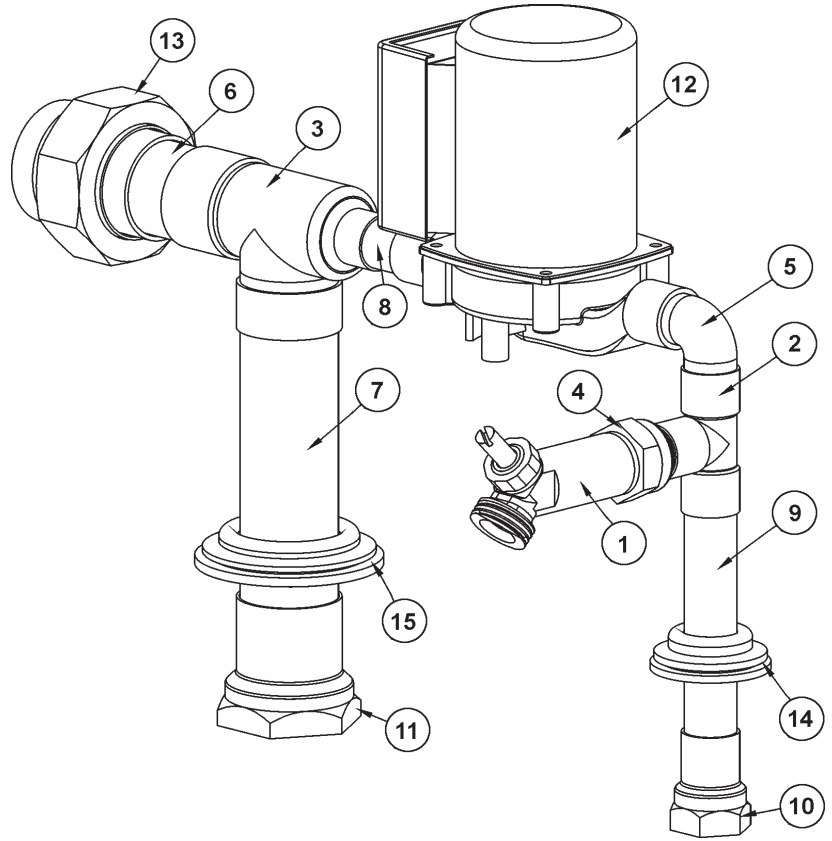
1	1	Dip Tube	196517-000
---	---	----------	------------

DIP TUBE

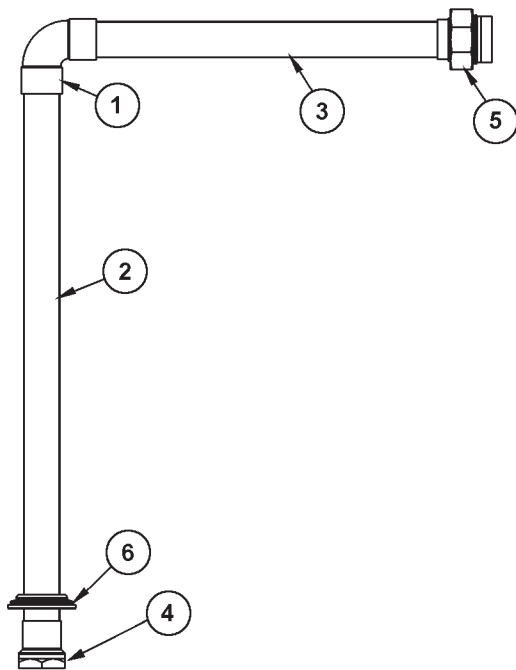
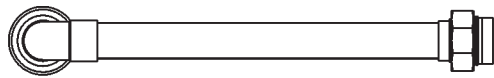


MANIFOLD ASSEMBLY

INLET MANIFOLD



OUTLET MANIFOLD

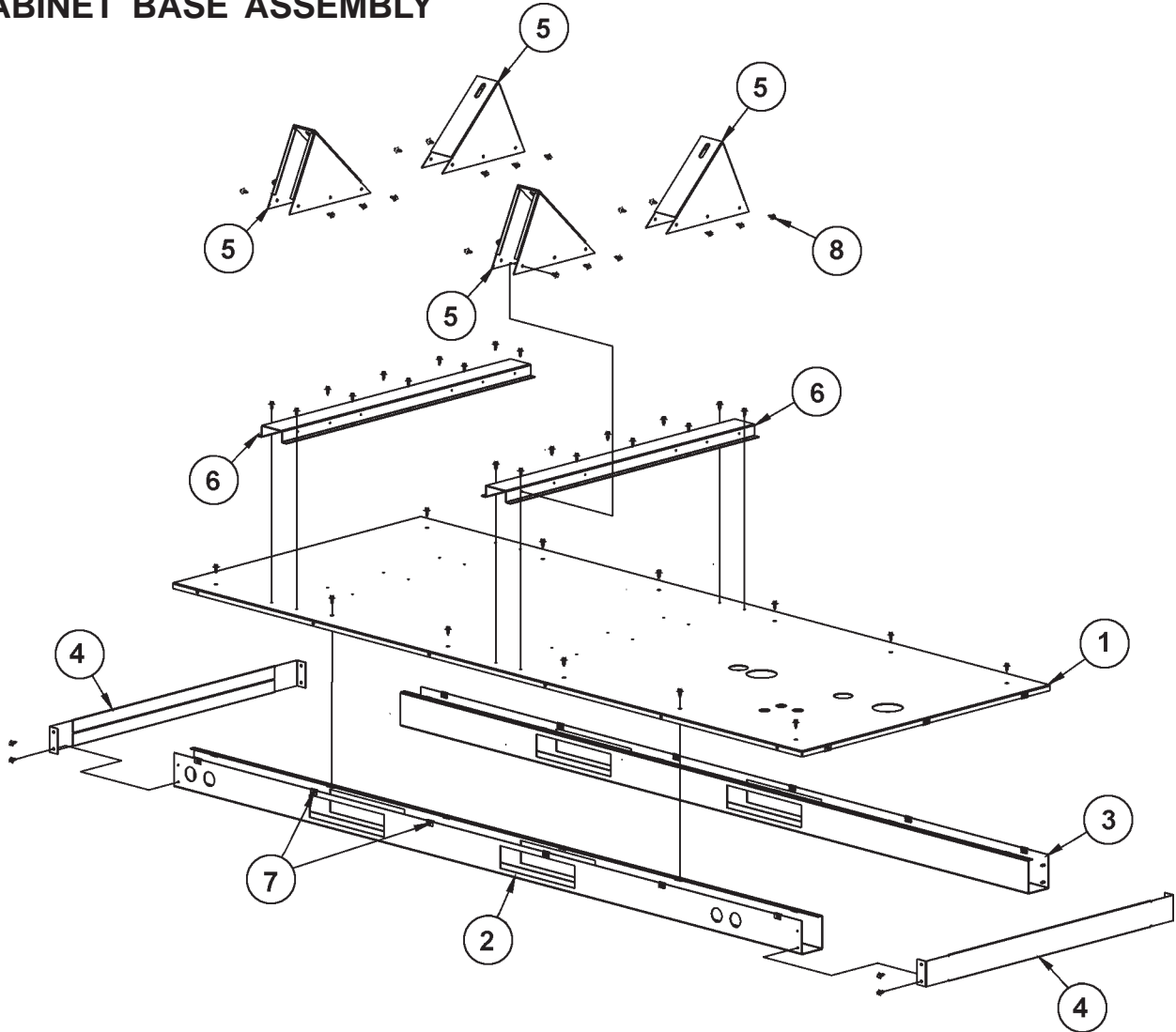


Item	Qty.	Description	Part Number
INLET MANIFOLD			
1	1	Valve, Drain	026273-000
2	1	Tee - 3/4" x 3/4" x 3/4"	196466-000
3	1	Tee - 1 1/2" x 3/4" x 1 1/2"	196466-003
4	1	Adapter - Fitting (Copper)	196475-000
5	1	Elbow - 90 Degree, 3/4" (FTG x FTG)	196538-000
6	1	Tube - Copper, 1-1/2" (3" long)	196816-001
7	1	Tube - Copper, 1-1/2" (6-11/16" long)	196816-012
8	1	Tube - Copper, 3/4" (2-1/4" long)	196813-003
9	1	Tube - Copper, 3/4" (5-7/16" long)	196818-013
10	1	Adapter - Fitting, 3/4"	196886-000
11	1	Adapter - Fitting, 1-1/2"	196886-001
12	1	Cartridge Circulator	196875-000
13	1	Union - Dielectric, 1-1/2"	196877-000
14	1	Grommet	196887-000
15	1	Grommet	196887-001

Item	Qty.	Description	Part Number
OUTLET MANIFOLD			
1	1	Elbow - 90 Degree, 1-1/2"	196465-003
2	1	Tube - Copper, 1-1/2" (26-11/16" long)	196816-010
3	1	Tube - Copper, 1-1/2" (17-15/16" long)	196816-011
4	1	Adapter - Fitting, 1-1/2"	196886-001
5	1	Union - Dielectric, 1-1/2"	196877-000
6	1	Grommet	196887-001

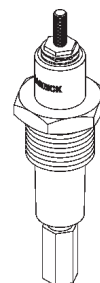
Item	Qty.	Description	Part Number
1	1	Base - Cabinet	196884-000
2	1	Support - Cabinet Base, Side	196433-000
3	1	Support - Cabinet Base, Side	196464-000
4	2	Support - Cabinet Base, End	196434-000
5	4	Tank Support Assembly	196435-000
6	2	Brace - Base Reinforcement	196438-000
7	30	Nut - Speed, Spring	196429-000
8	66	Screw - Self Sealing, #8-18	196640-000

CABINET BASE ASSEMBLY



Item	Qty.	Description	Part Number
1	1	Low Water Cutoff Probe	196591-000

LOW WATER CUTOFF PROBE



NOTES

A.O. Smith **Water Heaters**

A.O. SMITH WATER PRODUCTS COMPANY
500 TENNESSEE WALTZ PARKWAY, ASHLAND CITY, TN 37015
Phone: 1-800-433-2545 • Fax: 1-800-433-2515
Website: www.aosmithwaterheaters.com • E-mail: www.hotwater.com/parts